

TEO-540-C1A Engine Illustrated Parts Catalog

January 2025

| PC-TEO-540-C1A Rev. 6



652 Oliver Street
Williamsport, PA 17701

TEO-540-C1A Engine Illustrated Parts Catalog

Lycoming Part Number: PC-TEO-540-C1A Rev. 6

For additional information:

Mailing address:

Lycoming Engines
652 Oliver Street
Williamsport, PA 17701 U.S.A.

Phone:

Product Support: U.S. and Canada toll free: +1-877-839-7878
International Customers: +1-570-323-7222

Lycoming Product Support regular business hours are:

Monday through Thursday from 8:00 A.M. through 10:00 P.M. Eastern Time (-5 GMT)
Friday from 8:00 A.M. through 6:00 P.M. Eastern Time (-5 GMT)

or Email: Technicalsupport@lycoming.com

Visit us online at:

www.lycoming.com



©2025 Lycoming. All Rights Reserved.

Lycoming and "Powered by Lycoming" are trademarks or registered trademarks of Lycoming.
Lycoming Engines, a division of AVCO Corporation.

All brand and product names referenced in this publication are trademarks or registered trademarks of their respective companies.

Record of Revisions

NOTICE: Service Documents with a later release date than this parts catalog override parts information in this document.

Rev No.	Revision Changes	Issue Date
New	Initial Release	January 2019
Rev. 1	<p>Chapter 72-30</p> <ul style="list-style-type: none"> • Revised Figure 9 to add Fuel Injector O-Rings and Fuel Injector Retainer • Revised parts list for Figure 9 to add item 12, P/N 06C29094-CT Fuel Injector O-Ring Kit and item 13, P/N 03A29095-CT Fuel Injector Retainer <p>Chapter 72-50</p> <ul style="list-style-type: none"> • Revised the parts list for Figure 17 - Changed P/N LW-16783-12 to LW-16783-32 • Revised Figure 18 to indicate 4 - LW-25-1.25 and 6 - LW-25-1.00 will be installed in the induction housing instead of 10 – LW-25-1.00 bolts and added a NOTE to show the installation location of the four LW-25-1.25 bolts • Revised the parts list for Figure 18: <ul style="list-style-type: none"> ○ Changed the quantity of item 11, P/N 1102 from 3 to 4 ○ Changed the quantity of item 29, P/N LW-25-1.00 from 10 to 6 ○ Added a new item 30, P/N LW-25-1.25 with a quantity of 4 ○ Added a NOTE to indicate installation location of the four LW-25-1.25 bolts <p>Chapter 72-60</p> <ul style="list-style-type: none"> • Revised Figure 19 to add item 18, O-Ring P/N AS3209-151 • Revised parts list for Figure 19 to add item 18, P/N O-Ring P/N AS3209-151 <p>Chapter 73-10</p> <ul style="list-style-type: none"> • Revised Figure 25 to indicate correct installation of items 18 and 19, Fuel injector fire sleeves • Revised the parts list for Figure 25: <ul style="list-style-type: none"> ○ Added additional explanation for installation of items 18 and 19, Fuel injector fire sleeves ○ Changed the part number for item 22, Fuel regulator adapter manifold assembly from 02K26300 to 02K29101 <p>Chapter 73-20</p> <ul style="list-style-type: none"> • Revised Figure 26 to show new sensor assembly with lead an connector • Revised the parts list for Figure 26: <ul style="list-style-type: none"> ○ Changed the part number for item 1, Regulator assembly from 02K26300 to 02K29101 ○ Changed the part number for item 6, Sensor from 60E26311-CT to 60E29080 	May 2019

Rev No.	Revision Changes	Issue Date
Rev. 1 (Cont.)	<p>Chapter 74-20</p> <ul style="list-style-type: none"> • Revised the parts list for Figure 27: <ul style="list-style-type: none"> ○ Changed the part number for item 6, Sensor from 60E26311-CT to 60E29080 ○ Changed the part number for item 7, Sensor from 60E26312-CT to 60E29081 ○ Changed the part number for item 9, Sensor from 60E26661-CT to 60E29082 • Revised the parts list for Figure 29, changed ECU Assembly P/N from 60B29098 to 60B29156 • Revised Figures 30A and 30B to indicate change to item 1, Wiring Harness • Revised the parts list for Figures 30A and 30B: <ul style="list-style-type: none"> ○ Changed the part number for item 1, Wiring Harness from 60A28332 to 60A29063 ○ Deleted item 24, LW-16266-10-19 <p>Chapter 80-10</p> <ul style="list-style-type: none"> • Revised Figure 33 to show the engine in a normal, upright position 	May 2019
Rev. 2	<p>Chapter 72-20</p> <ul style="list-style-type: none"> • Corrected the descriptions of items 21 and 22 in the parts list for Figure 5 to indicate the camshaft was for use with flat tappets <p>Chapter 72-30</p> <ul style="list-style-type: none"> • Revised Figure 9 to show stud P/N 31C-13, insert P/N 69260 and identify stud P/N 25C-8 • Revised the parts list for Figure 9 to add part number 16A30200-01 as an approved alternate to item 1 and added items 5, 6, and 7 and renumbered remaining items in list • Revised Figure 10 to indicate correct position of item 18, Washer P/N 66728 <p>Chapter 72-40</p> <ul style="list-style-type: none"> • Revised Figure 13 to show a single V-Band Coupling P/N LW-12093-6 as the coupling to attach the tailpipe to the wastegate exit • Changed the part number for item 1 in the parts list for Figure 13 from 07E28327 to 07E29522 • Changed the quantity for item 25 from 2 to 1 in the parts list for Figure 13 • Revised the footnote regarding item 25, the V-Band Coupling P/N LW-12093-6 in the parts list for Figure 13 • Revised Figure 14 to show the solenoid o-rings • Changed the part number for item 19 from 03D28330 to 03D29691 in the parts list for Figure 15 • Revised Figure 16 to indicate availability of sensor, transducer, hose, and clamps • Revised the parts list for Figure 16 to add items 7 thru 10 - sensor, transducer, hose, and clamps <p>Chapter 72-50</p> <ul style="list-style-type: none"> • Revised the part number for item 4 – Oil Level Gage Assembly 	June 2021

Rev No.	Revision Changes	Issue Date
Rev. 2 (Cont.)	<p>Chapter 72-60</p> <ul style="list-style-type: none"> • Revised Figure 21 to indicate an item number for the fuel filter O-Ring • Revised the parts list for Figure 21, adding a new item number 9 and renumbering the remainder of the list <p>Chapter 73-10</p> <ul style="list-style-type: none"> • Revised the part number for item 6 to LW-25-0.63 • Added new Fuel Injector P/N 61X29461-CT as an approved alternate for P/N 61X26294-CT • Added a footnote for instructions when replacing Fuel Injector P/N 61X26294-CT with P/N 61X29461-CT <p>Chapter 74-20</p> <ul style="list-style-type: none"> • Revised the parts list for Figure 27: <ul style="list-style-type: none"> ○ Changed the P/N for the Fuel Pressure Sensor from 60E29080 to 60E29660 ○ Changed the P/N for the Oil Pressure Sensor from 60E29081 to 60E29661 ○ Changed the P/N for the Air Pressure Sensor from 60E29082 to 60E29662 • Revised the parts list for Figure 29: <ul style="list-style-type: none"> ○ Changed ECU Assembly P/N from 60B29156 to 60B29438 ○ Added a new ECU Assembly P/N 60B29659 ○ Added a footnote for application of the two different ECU Assembly part numbers • Revised the Quantity of items 51 and 52 in the parts list for Figure 30A, B • Added new P/N 1182-Q4 for Spark Plugs in the parts list for Figure 30A, B • Revised the parts list for Figure 31, added a new alternator assembly for optional 3.65:1 drive ratio <p>Service Kit Section</p> <ul style="list-style-type: none"> • Added P/N 16A30200-0101 as an approved alternate to P/N 16G26682-01 for the Cylinder, Piston, and Ring Assembly Kit P/N 05K26774 	June 2021
Rev. 3	<p>Information Page (back of Title Page)</p> <ul style="list-style-type: none"> • Revised the contact information for Product Support <p>Introduction</p> <ul style="list-style-type: none"> • Revised the CAUTION at the beginning of the chapter • Revised the How to Order Parts section <p>Chapter 24-30</p> <ul style="list-style-type: none"> • Revised Figure 1 to indicate more accurate representation of alternator bracket configuration • Moved Alternator Assembly and Belts from Chapter 74-20 to Chapter 24-30 and renumbered subsequent figures accordingly 	August 2021

Rev No.	Revision Changes	Issue Date
Rev. 3 (Cont.)	<p>Chapter 72-20</p> <ul style="list-style-type: none"> Revised the footnote regarding oil pressure relief valve spring selection in the parts list for Figure 5 <p>Chapter 72-30</p> <ul style="list-style-type: none"> Revised the parts list for Figure 10 to change the P/N for item 13 – Fuel Injector Adapter from 02E26267 to 02E29797 <p>Chapter 72-40</p> <ul style="list-style-type: none"> Revised Figure 15 to add O-rings P/N MS29512-04 and MS29512-06 and adjusted item numbering to account for added parts Revised the parts list for Figure 15: <ul style="list-style-type: none"> Added a new Solenoid Valve P/N 02L29677 Added O-rings P/N MS29512-04 and MS29512-06 and adjusted parts list item numbering to account for added parts Added a footnote for application of the two different Solenoid Valve part numbers <p>Chapter 72-60</p> <ul style="list-style-type: none"> Revised Figure 20 excluding the Permanent Magnet Alternator Revised the parts list for Figure 20 excluding the Permanent Magnet Alternator, fastening hardware, and PMA O-ring <p>Chapter 73-10</p> <ul style="list-style-type: none"> Revised the parts list for Figure 26 to change the P/N for item 1 – Fuel Injector Adapter from 02E26267 to 02E29797 <p>Chapter 74-20</p> <ul style="list-style-type: none"> Added new Figure 32 and parts list for Permanent Magnet Alternator <p>Service Kit Section</p> <ul style="list-style-type: none"> Revised the parts list for the Cylinder, Piston and Ring Assembly to change the P/N for the Fuel Injector Adapter from 02E26267 to 02E29797 	August 2021
Rev. 4	<p>Chapter 24-30</p> <ul style="list-style-type: none"> Added the HET P/N to the description for the alternator, Lycoming P/N 32C28550, in the parts list for Figure 2 <p>Chapter 72-30</p> <ul style="list-style-type: none"> Revised Figure 10 and the parts list for Figure 10 to indicate fuel injector differences Added part number LW-15592-5-04 to the parts list for Figure 12 Added new footnote to the parts list for Figure 12 <p>Chapter 72-40</p> <ul style="list-style-type: none"> Revised Figure 16 to show more detail for item 4 and reverse the numerical identifiers for items 4 and 5 <p>Chapter 72-50</p> <ul style="list-style-type: none"> Changed the P/N for item 4 in the parts list for Figure 18 from LW-16783-33 to LW-16783-34 	November 2021

Rev No.	Revision Changes	Issue Date
Rev. 4 (Cont.)	<p>Chapter 72-60</p> <ul style="list-style-type: none"> • Changed the part number for item 6 in the parts list for Figure 24 from 53E22144 to 53E29909 <p>Chapter 73-10</p> <ul style="list-style-type: none"> • Revised the parts list for Figure 25: <ul style="list-style-type: none"> ○ Changed the part number for item 18 from 01M26558 to 01M29868 ○ Changed the part number for item 19 from 01M26622 to 01M29869 • Revised the parts list for Figure 26: <ul style="list-style-type: none"> ○ Changed the part number for item 17 from 01M26558 to 01M29868 ○ Changed the part number for item 18 from 01M26622 to 01M29869 <p>Chapter 74-20</p> <ul style="list-style-type: none"> • Added a new ECU Assembly P/N 60B29726 to the parts list for Figure 30 • Added alternate DLU P/N 60B29462 to the parts list for Figure 30 	November 2021
Rev. 5	<p>Chapter 24-30</p> <ul style="list-style-type: none"> • Revised the Description for alternator belt part number 37C28529-985 • Added new alternator belt part number 37C28529-955 for use with pulley P/N 36B29585 <p>Chapter 72-30</p> <ul style="list-style-type: none"> • Revised the part number for item 9, Piston Ring, in the parts list for Figure 9 • Revised the part number for item 11, knock sensor, in the parts list for Figure 10 • Revised the part number for item 18, Fuel Injector from 61X26294-CT to 61X29461-CT, in the parts list for Figure 10 • Revised the part numbers for items 3 and 4, valve springs, in the parts list for Figure 11 <p>Chapter 72-40</p> <ul style="list-style-type: none"> • Revised Figure 13 • Changed the part number for item 24, Exhaust Bypass Valve, from LW-12778 to 47E29907 in the parts list for Figure 14 • Revised Figure 15 • Changed the quantity for O-ring P/N MS29512-04 from 1 to 2 in the parts list for Figure 15 • Changed the part number for item 4, clamp, from LW-15570 to 07C29900 in the parts list for Figure 16 <p>Chapter 72-60</p> <ul style="list-style-type: none"> • Added a new Oil Pump Body Assembly P/N 51A29876 to the parts list for Figure 21 • Changed the part number for item 5, oil filter, from LW-13215 to LW-13216 in the parts list for Figure 25 • Added part number 53E22144 as an alternate for item 6 in the parts list for Figure 25 • Added a footnote to the parts list for Figure 25 to reference SI 1585 	July 2023

Rev No.	Revision Changes	Issue Date
Rev. 5 (cont.)	<p>Chap1ter 73-20</p> <ul style="list-style-type: none"> • Revised Figure 27 to add 3 O Rings • Revised parts list for Figure 27 to add 3 O Rings • Changed the part number for item 7, Fuel pressure sensor, from 60E29080 to 60E29660 in the parts list for Figure 27 <p>Chapter 74-20</p> <ul style="list-style-type: none"> • Revised Figure 28 to indicate new item 9, O-ring and renumbered subsequent items • Revised the part numbers for items 3 and 4, sensor, in the parts list for Figure 28 Revised the parts list for Figure 28 to add new item 9, O-ring P/N AS3209-017 and renumbered subsequent items • Revised Figure 30 to add new item 4 • Revised the part number for item 1, from 60B29438 to 60B29705, in the parts list for Figure 30 • Changed the descriptions of both DLU Assemblies, item 3, in the parts list for Figure 30 • Added new item 4 to the parts list for Figure 30 <p>Service Kit Section</p> <ul style="list-style-type: none"> • Deleted items from Seal and Gasket Set Parts List • Changed item number 14H21990 to 14H29889 in the Cylinder, Piston, and Ring Assembly parts list • Deleted 02E29797 from the Cylinder, Piston, and Ring Assembly parts list 	July 2023
Rev. 6	<p>Oversize and Undersize Parts</p> <ul style="list-style-type: none"> • Corrected P/N for the spark plug insert <p>Chapter 72-40</p> <ul style="list-style-type: none"> • Added approved alternate intake pipe part numbers for items 2, 3, 4, 5, and 6 in the parts list for Figure 13 • Updated the part number for item 24, exhaust bypass valve, in the parts list for Figure 14 • Added a footnote to reference S.I. 1589 in the parts list for Figure 14 • Revised Figure 17 to indicate screw and washer added to parts list and revised the item numbers • Revised the parts list for Figure 17 to revise the throttle position sensor part number, add new items 8 and 9, and renumbered subsequent item numbers <p>Chapter 72-60</p> <ul style="list-style-type: none"> • Revised Figure 20 adding the INSERT - STD-1173 • Revised the parts list for Figure 20 adding item 14, INSERT - STD-1173 • Added a footnote to the parts list for Figure 25 to reference SI 1585 • Revised Figure 25 to indicate gasket and renumbered subsequent items, and added gasket to parts list <p>Chapter 74-20</p> <ul style="list-style-type: none"> • Revised Figure 28 to add additional parts for the remote fuel pressure sensor • Revised the parts list for Figure 28 to add additional parts (items 20 through 27) for the remote fuel pressure sensor 	January 2025

Rev No.	Revision Changes	Issue Date
Rev. 6	<p>Chapter 74-20 (Cont.)</p> <ul style="list-style-type: none"> • Added new approved alternate part number for items 12 and 61 in the parts list for Figure 31, A, B • Revised the description for item 67, Spark Plugs, in the parts list for Figure 31, A, B • Added footnote to reference SI 1042 to the parts list for Figure 31, A, B <p>Chapter 78-00</p> <ul style="list-style-type: none"> • Added a superseding part number for the Turbocharger Transition, Item 15 and a footnote to the parts list for Figure 33 <p>Service Kit Section</p> <ul style="list-style-type: none"> • Added listings for Single Cylinder Seal and Gasket Kit and Piston Ring Kit 	January 2025

This page intentionally left blank.

Table of Contents

<u>Subject</u>	<u>Chapter - Section</u>	<u>Page</u>
Frontal _____		
Record of Revisions		i
Table of Contents		ix
Introduction		xi
Abbreviations and Acronyms		xv
Oversize and Undersize Part Listing		xvii
Electrical Power	24-00	
DC Generation	24-30	
1. Alternator Mounting and Attaching Parts		0-1
2. Alternator Assembly and Belt		2-3
Reciprocating Engine	72-00	
Front Section	72-10	
1. Propeller Governor Drive Assembly		4-5
Power Section	72-20	
1. Crankcase Assembly		6-7
2. Crankcase Related Parts		8-9
3. Crankshaft, Counterweight, Camshaft and Related Parts		10-11
4. Crankshaft Idler Gears and EEC Gear Set		12-13
5. Crankcase Attaching Parts		14-15
Cylinder Section	72-30	
1. Connecting Rods, Pistons, and Ring Assemblies		16-17
2. Cylinder Assembly		18-19
3. Valve Assembly and Related Parts		20-23
4. Cylinder Related Parts		24-25
Turbocharger System	72-40	
1. Intake Pipes, Oil Suction Screen, and Air Inlet Housing		26-27
2. Turbocharger, Supports, and Attaching Parts		28-29
3. Turbocharger Hoses and Related Parts		30-33
4. Rear Turbo Air Inlet Housing		34-35
5. Electronic Throttle Body		36-37

<u>Subject</u>	<u>Chapter - Section</u>	<u>Page</u>
Lubrication System	72-50	
1. Oil Level Gage and Engine Mounting Brackets		38-39
2. Oil Sump and Induction Housing Assembly		40-41
Accessory Drives	72-60	
1. Accessory Housing Assembly		42-43
2. Oil Pump Assembly and Accessory Housing Attaching Parts		44-45
3. Fuel Pump Assembly and Attaching Parts		46-47
4. Vacuum Pump Drive and Breather Fitting		48-49
5. High Speed Drive		50-51
6. Oil Filter Assembly and Oil Cooler Bypass Valve		52-53
Engine and Fuel Control _____	73-00	
Fuel Distribution	73-10	
1. Fuel Injector, Fuel Lines, Manifold Assembly, and Pressure Line		54-57
Fuel Control System	73-20	
1. Fuel Pressure Regulator		58-59
Ignition Distribution System _____	74-00	
Distribution	74-20	
1. Sensors (Accessory Housing View)		60-61
2. Sensors (Rear Left View)		62-63
3. Engine Control Unit, Power Box, and Data Logger		64-65
4. EEC Harness, Coil Box, and Spark Plugs		66-69
5. Permanent Magnet Alternator		70-71
Exhaust System _____	78-00	
1. Exhaust Crossover Pipes and Transition Assembly		72-73
Starting _____	80-00	
Cranking	80-10	
1. Starter Motor and Attaching Parts		74-75
Back Section _____		
Service Kit Section		77-80
Numerical Index		81-90

Introduction

⚠ CAUTION: DO NOT USE THIS CATALOG AS AN ASSEMBLY OR INSTALLATION DOCUMENT. THIS CATALOG MUST ONLY BE USED TO IDENTIFY PARTS IN CONJUNCTION WITH THE APPLICABLE MAINTENANCE OR OVERHAUL MANUAL.

PART NUMBERS AND DESCRIPTIONS IN THIS PARTS CATALOG ARE NOT AUTHORITATIVE AND CAN BE SUPERSEDED BY FAA APPROVED SERVICE BULLETINS AND SERVICE INSTRUCTIONS.

Purpose of this Catalog

This Illustrated Parts Catalog (IPC) contains a complete list of spare parts for the Lycoming TEO-540-C1A engine model.

How to Use this Catalog

This catalog is based on the Air Transport Association (ATA) Spec 100 format. To clarify illustrations, Lycoming has taken discretion to classify non-system related assemblies and components in the same chapters, because they are physically connected.

This catalog is frequently updated by Service Bulletins (SB) and Service Instructions (SI). The updated information will be incorporated into subsequent full revisions of this catalog.

The ATA two element numbering system provides consistency throughout various manuals. The bottom of each page (beyond the frontal section) contains a two element number (##-##). In the two element numbering, the first two digits represent a chapter, and the next two digits subdivide the material into a more specific section.

The ATA format specifies the subject matter for each chapter-section. According to the ATA Standards, the following chapters apply to the TEO-540-C1A Illustrated Parts Catalog:

24 (Electrical Power), 72 (Reciprocating Engine), 73 (Engine and Fuel Control), 74 (Ignition), and 80 (Starting).

EXAMPLE: 74 — 20

Chapter		Section
Ignition		Distribution

NOTICE: Refer to the IPC Table of Contents for the sub-systems identified in each section.

Numerical Index

The Numerical Index is a single list of part numbers, names and their locations within the IPC. It is useful for locating parts when you only know the number or name of the part.

Description column

Indentation of a part name represents a lower level of assembly. Attaching parts have the same indentation level and are below their associated parts grouping or assembly. This column is often referred to as the "Nomenclature" on other ATA Spec manuals.

Units per Assembly Column

Where more than one assembly exists, this column contains the quantity of a specific part required in the build sequence of only one next higher assembly. The letters “AR” are for “as required” applicable to bulk items or non-illustrated select-from-range-parts. The letters “RF” identify items for reference.

Lockwire, Safety Cable

To maintain as assembled torque integrity Lockwire used is to be a one continuous strand twisted to keep tension on various internal fasteners ensuring a minimum torque is retained. Lockwire installed correctly will pull in the direction of fastener assembled tension. Lycoming Engines does not recommend the use of safety cable for retention of internal engine parts or assemblies. Refer to the latest revision of **Service Instruction No. 1566**.

Vendor Accessories

Parts coverage of Vendor Accessories used on Lycoming engines may be found in the appropriate Vendor’s Parts Catalog. A list of vendor’s addresses appears in the latest revision of Lycoming Service Letter No. L114.

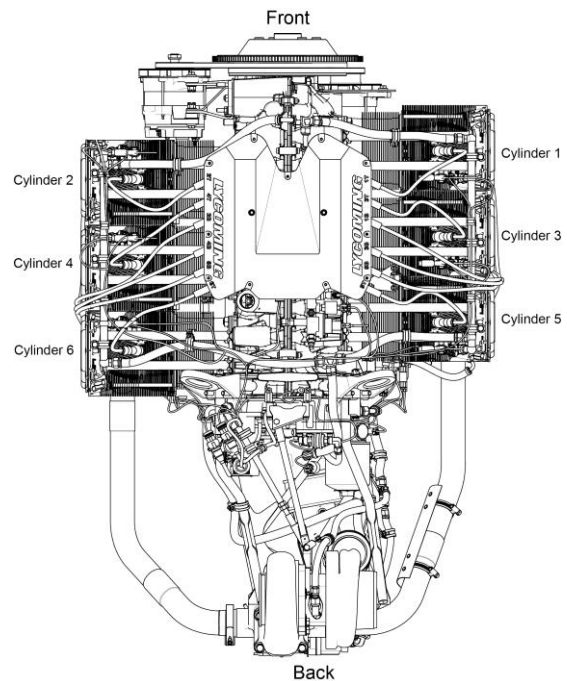
Any reference in this document to the suppliers/part manufacturer’s product, by name, trademark, part number or other description is solely for the purpose of identification and does not indicate or infer that Lycoming accepts responsibility for quality control and/or airworthiness of parts, which do not pass through the Lycoming quality control system.

Environmental Compliance

Lycoming is concerned with preserving the environment. Lycoming strongly urges engine owners and repair/overhaul personnel to observe and comply with all federal, state, and local environmental regulations when solvents, paint, fuel, oil, chemicals, or other consumables are used in operating, maintaining, or overhauling an engine component. Please share our concern for, and commitment to a clean earth, clean water, and especially clean air for succeeding generations of flyers.

Perspective of References

In this manual, all references to locations of various components will be designated as if viewing the engine from the rear (or anti-propeller) end. the front of the engine is the propeller end and the oil sump is on the bottom of the engine. Cylinders are numbered from front to rear with the odd-numbered cylinders on the right-hand side. the firing order for this engine is 1-4-5-2-3-6.



Top View of Engine

How to Order Parts

To order parts from this parts catalog, contact an Authorized Lycoming Distributor with the part number(s), nomenclature, and quantity along with the model and serial number of your engine. Authorized Lycoming Distributors will have up-to-date part number supersedure, pricing, and availability information on parts listed in this parts catalog.

An Oversize and Undersize Parts List is included in the front section of this catalog to aid in ordering parts as necessary during maintenance or overhaul.

To supply any comments, suggestions, or corrections to this parts catalog, go online to the Lycoming.com website on the internet.

NOTE:

Lycoming recommends that owners of this manual sign up for email notification on the Technical Publications page of our website <https://www.lycoming.com/contact/knowledge-base/publications>. By submitting your email address, you will receive notification whenever Lycoming publishes a new or revised technical publication, including any revisions to this parts catalog.

©2025 by Lycoming. "All Rights Reserved." All Lycoming publications are to be considered copyrighted and may not be reproduced without permission of the company.

This page intentionally left blank.

Abbreviations and Acronyms

A	
amp.	Ampere
AR	As Required
Assy.	Assembly
ATA	Air Transport Association
C	
Cyl.	Cylinder
F	
Fill.	Fillister
H	
Hex.	Hexagon
I	
I.D.	Inside Diameter
in.	Inch
IPC	Illustrated Parts Catalog
M	
mm	Millimeter
N	
No.	Number
NPT	National Pipe Thread
O	
O.D.	Outside Diameter
P	
P/N	Part Number
Q	
Qty.	Quantity
R	
RF	Reference
S	
SB	Service Bulletin
SI	Service Instruction
SSP	Special Service Publication
U	
UNF	Unified National Fine

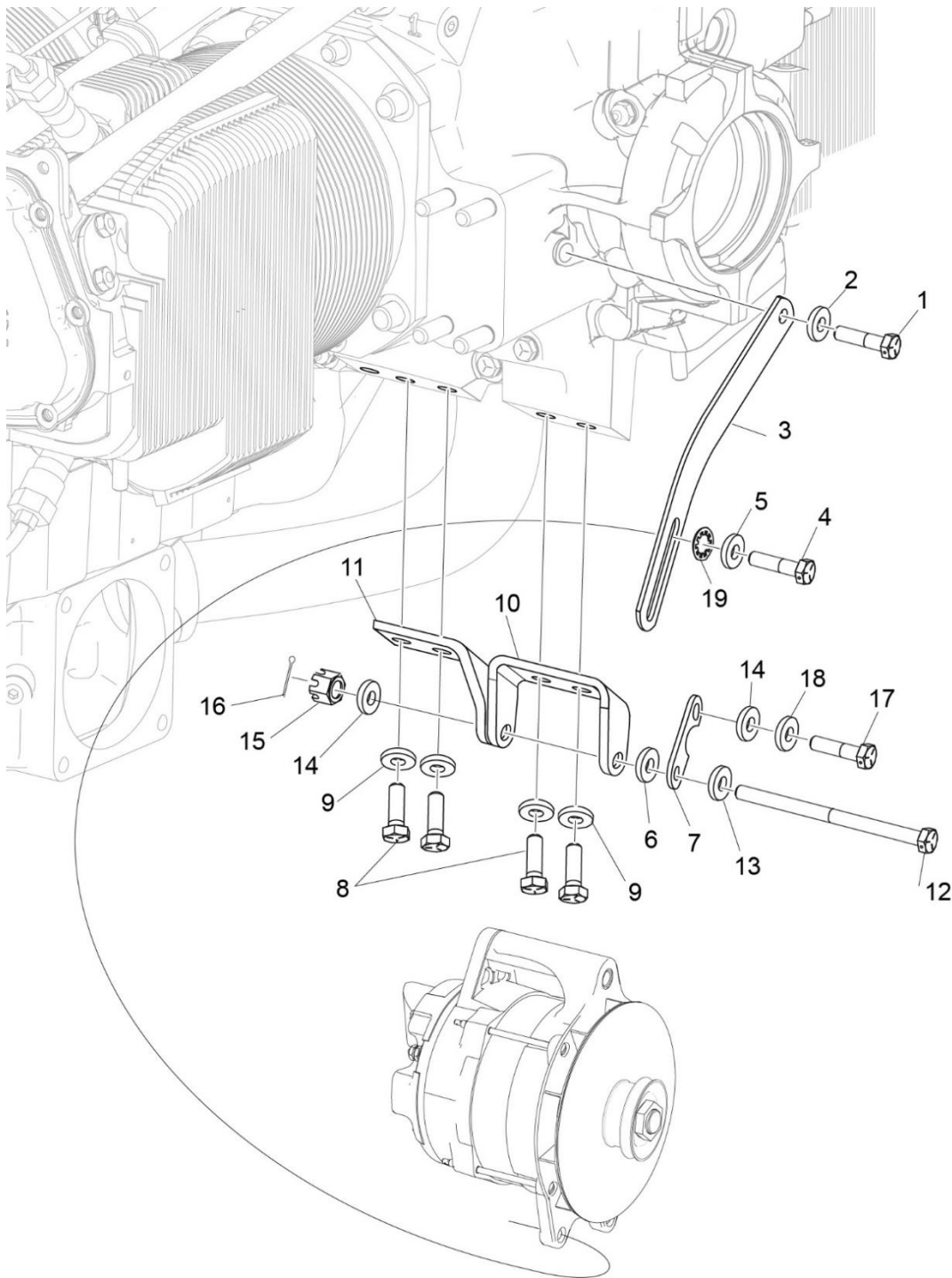
This page intentionally left blank.

Oversize and Undersize Parts Listing

PART NO.	DESCRIPTION	OVERSIZE (IN.)					UNDERSIZE (IN.)		
		P05 .005	P10 .010	P20 .020	P30 .030	P50 .050	M03 .003	M06 .006	M10 .010
18B23885	BEARING, Front Crankshaft						X	X	X
18E23886	BEARING, Crankshaft						X	X	X
18N26106	BEARING, Connecting Rod						X	X	X
71903-A †	BUSHING, Counterweight Dynamic	--	--	--	--	--	--	--	--
72155-S	BUSHING, Prop Flange, short	X							
75656-S	BUSHING, Prop Flange, long	X							
75657-S	BUSHING, Prop Flange indexing	X							
66670	BUSHING, Rocker Shaft		X						
STD-1065	DOWEL, Crankshaft		X						
69796	DOWEL, Crankshaft bearing	X							
75838	GUIDE, Valve exhaust				X				
66713	GUIDE, Valve intake				X				
LW-15628	SEAL, Crankshaft oil					X			
69260	INSERT, Spark Plug		X						

† - 71903-A is the undersize part number. When ordering, do not specify an undersize code letter

NOTICE: When ordering oversize and undersize parts, be sure to specify the required oversize and undersize dimension along with the proper part number. For example, to order bearing Part Number (P/N) 18E23886 bearing in 0.003 in. undersize, order P/N 18E23886-M03. Undersize code letter is "M" while oversize code letter is "P". These letters are then followed by the number designating the size in thousandths of an inch.



031BT

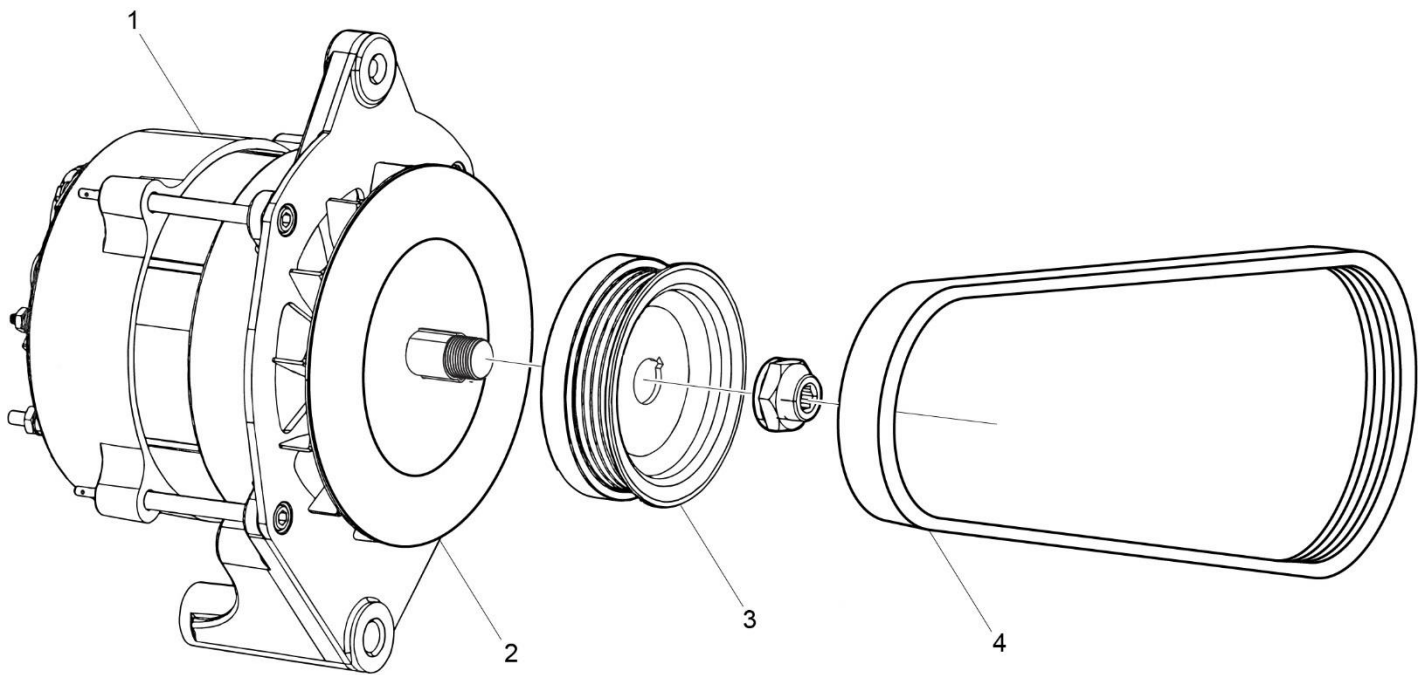
Figure 1

Alternator Mounting and Attaching Parts

NOTE: For Permanent Magnetic Alternator, Refer to 74-20
(Ignition Distribution System)

DC GENERATION
Figure 1 - Alternator Mounting and Attaching Parts

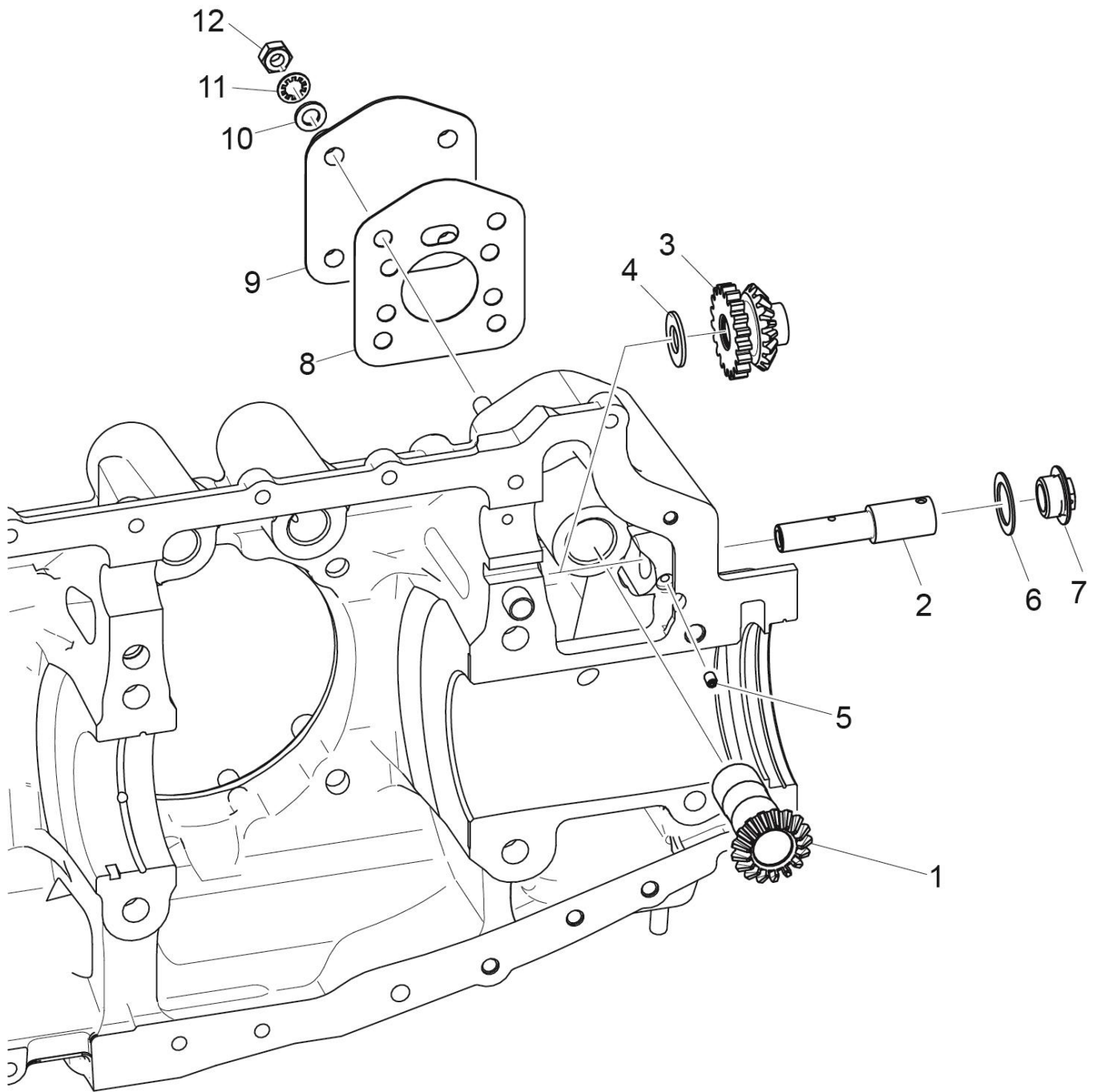
Figure Item	Code	Part Number	Description	Units per Assembly
1		LW-31H0.88	BOLT, 5/16-18 x 7/8 long, hex. head, drilled	1
2		STD-35	WASHER, 5/16 plain	1
3		07F28508	LINK, Alternator adjusting	1
4		LW-38H1.09	BOLT, 3/8-16 X 1 3/32 long, hex drilled	1
5		STD-1342	WASHER, 7/8 O.D. x 0.39 I.D. x 1/8 thick	1
6		LW-10952	SHIM, 13/16 O.D. x 0.41 I.D. x 0.005 thick	5
7		07F21160	STRUT, Alternator Support	1
8		LW-31H0.88	BOLT, 5/16-18 x 7/8 long, hex. head, drilled	4
9		STD-35	WASHER, 5/16 plain	4
10		07A21156	BRACKET, Alternator	1
11		07A26130	BRACKET, Alternator, aft	1
12		AN7-44	BOLT, 7/16-20 x 4-19/32 long, hex. head	1
13		STD-632	WASHER, 7/16 plain	1
14		LW-14650	SHIM, 7/8 OD x 15/32 ID X .005 TH	10
15		AN310-7	NUT, 7/16-20 plain slotted	1
16		STD-713	PIN, Cotter, 3/32 dia. X 3/4 long	1
17		LW-31H1.06	BOLT, 5/16-18 X 1-1/16 long, hex. head, drilled	1
18		STD-1354	WASHER, 5/16 plain	1
19		STD-475	WASHER, 5/16 lock, internal teeth	1



032CR, 033AC, 033AE
Figure 2
Alternator Assembly and Belts

DC GENERATION
Figure 2 - Alternator Assembly and Belts

Figure Item	Code	Part Number	Description	Units per Assembly
1		32C28600	ALTERNATOR ASSEMBLY, 24V-140 amp	1
2		32C28550	ALTERNATOR, 24V-140 amp (HET P/N ES-14024B-3)	1
3		36B28509	PULLEY, Alternator, V-ribbed pk-section, 3.1:1 ratio (3.42 O.D.)	1
	*	32C28603	ALTERNATOR ASSEMBLY, 24V-140 amp	1
	*	32C28550	ALTERNATOR, 24V-140 amp (HET P/N ES-14024B-3)	1
	*	36B29585	PULLEY, Alternator, V-ribbed pk-section, 3.65:1 ratio (2.98 O.D.)	1
4		37C28529-985	BELT, 14mm wide (use with PULLEY P/N 36B28509)	1
	*	37C28529-955	BELT, 14mm wide (use with PULLEY P/N 36B29585)	1
* Optional for 3.65:1 drive ratio				

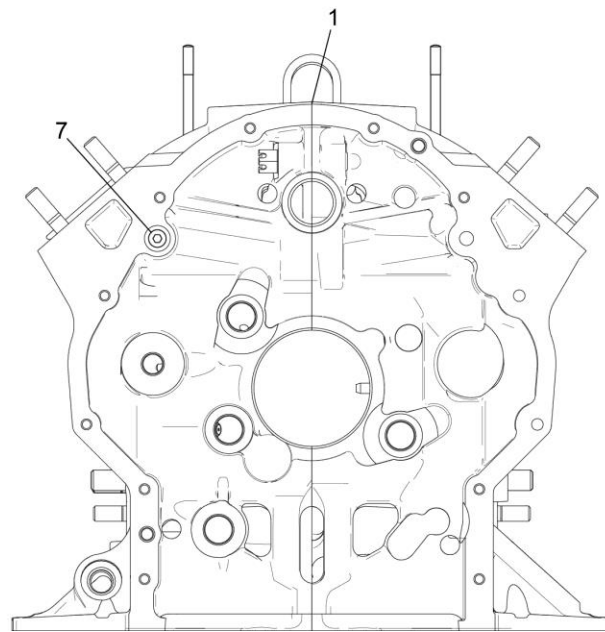
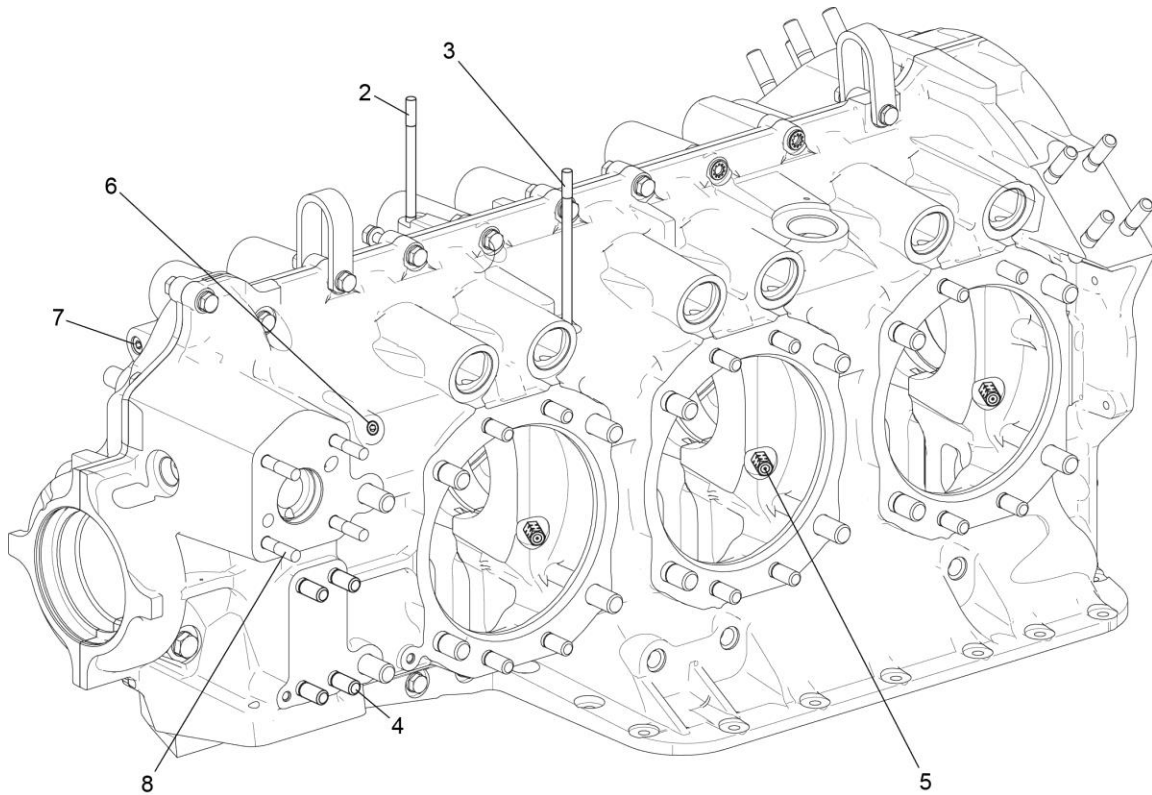


008

Figure 3
Propeller Governor Drive Assembly

FRONT SECTION
Figure 3 - Propeller Governor Drive Assembly

Figure Item	Code	Part Number	Description	Units per Assembly
1		LW-10442	GEAR, Propeller governor driven	1
2		LW-14021	SHAFT, Propeller governor idler gear	1
3		LW-10541	GEAR ASSEMBLY, Propeller governor idler	1
4	AR	73249	WASHER, Thrust (0.0585 - 0.0595 thick)	AR
	AR	73250	WASHER, Thrust (0.062 - 0.063 thick)	AR
	AR	73251	WASHER, Thrust (0.0655 - 0.0665 thick)	AR
	AR	73252	WASHER, Thrust (0.069 - 0.070 thick)	AR
	AR	01L21418	WASHER, Thrust (0.055 - 0.056 thick)	AR
5		AN565B1032H5	SET SCREW, No. 10-32 x 5/16 long	1
6		70455	GASKET, 25/32 I.D. x 1-1/8 O.D. x 1/16 thick	1
7		LW-13896	PLUG, 3/4-16 hex. head	1
8		72053	GASKET, Propeller	1
9		72378	COVER, Governor drive	1
10		STD-35	WASHER, 5/16 plain	4
11		STD-475	WASHER, 5/16 lock, internal teeth	4
12		STD-1410	NUT, 5/16-18 plain	4
AR as required				



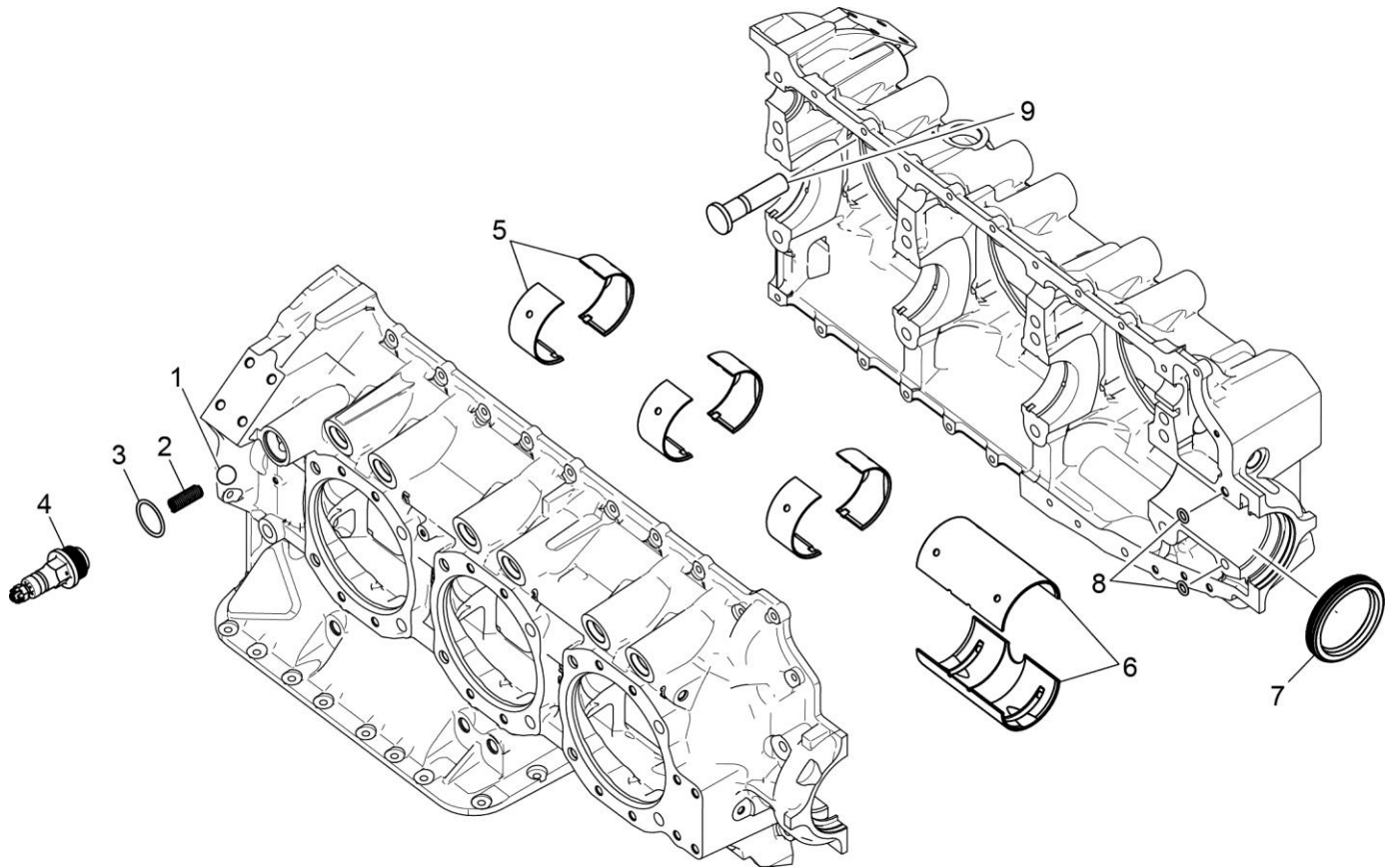
001EX

Figure 4
Crankcase Assembly

POWER SECTION
Figure 4 - Crankcase Assembly

Figure Item	Code	Part Number	Description	Units per Assembly
1	P	11F24028-E3	CRANKCASE ASSEMBLY, Studding	1
2		25C-31	STUD, 1/4-20 x 3-7/8 long	1
3		25C-39	STUD, 1/4-20 x 4-7/8 long	1
4		38-13	STUD, 3/8-16 x 1-5/8 long	4
5		73772	NOZZLE ASSEMBLY, Piston cooling	6
6		STD-1339	PLUG, 1/16-27 NPT	1
7		1102	PLUG, 1/8 pipe	2
8		31C-17	STUD, 5/16-18 x 2-1/8 long	4

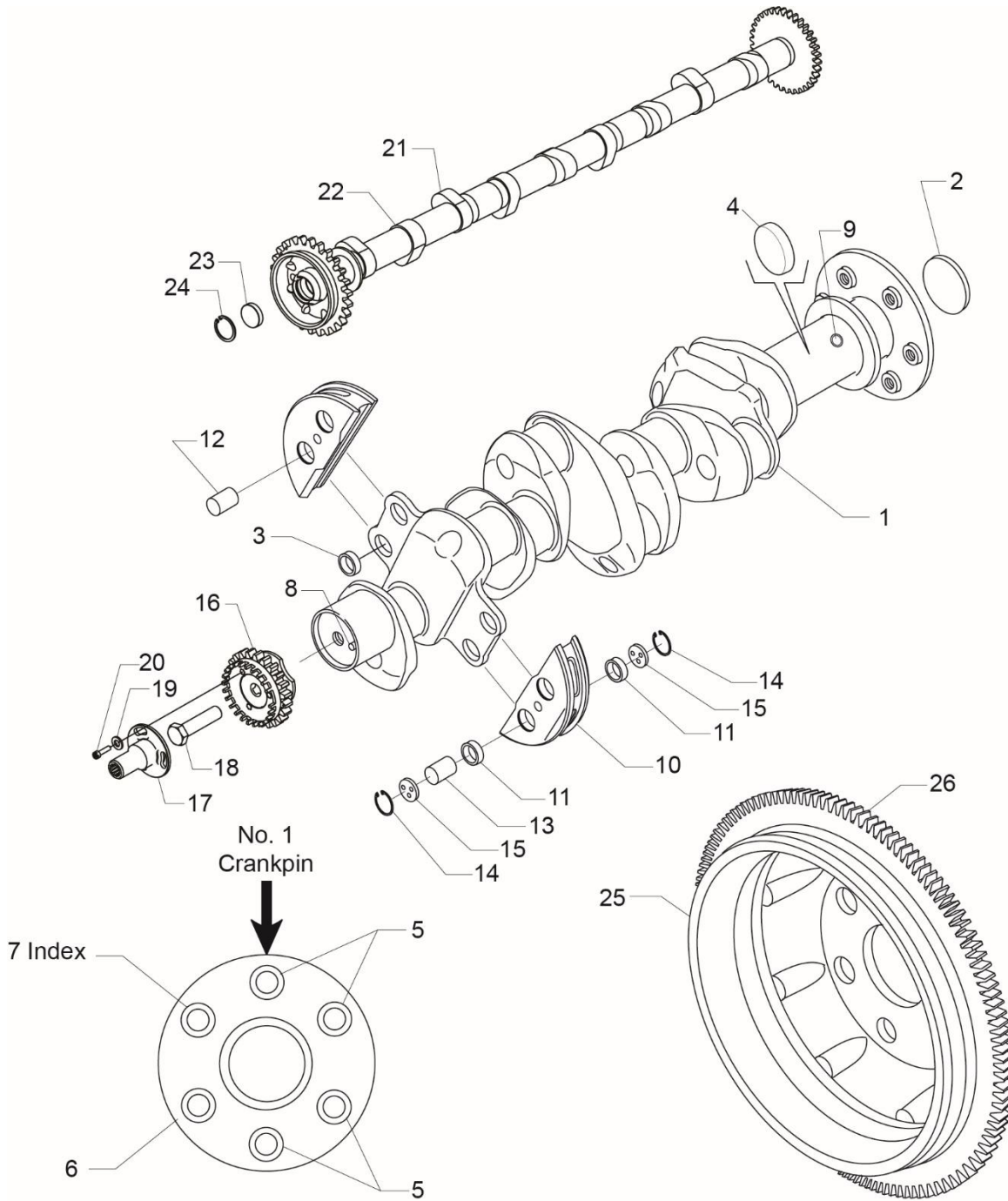
P Lycoming proprietary part - for reference purposes only, cannot be purchased.



002F & 003F
Figure 5
Crankcase Related Parts

POWER SECTION
Figure 5 - Crankcase Related Parts

Figure Item	Code	Part Number	Description	Units per Assembly
1		1028-B	BALL, 11/16 diameter	1
2	*	68668	SPRING, Oil pressure relief valve	1
	*	61084	SPRING, Oil pressure relief valve	1
	*	77467	SPRING, Oil pressure relief valve	1
	*	LW-11713	SPRING, Oil pressure relief valve	1
	*	LW-18085	SPRING, Oil pressure relief valve	1
3		06E19769-1.25	GASKET, 1-1/4 I.D. annular	1
4		77808	VALVE ASSEMBLY, Oil pressure relief	1
5		18E23886	BEARING, Crankshaft	6
6		18B23885	BEARING, Crankshaft, front	2
7		LW-15628	SEAL, Crankshaft oil	1
8		72091	RING, Oil seal, 23/64 ID x 1/10 diameter	2
9		15B26262	BODY, Hydraulic tappet	12
<p>* Select spring to give a minimum of three threads exposed on adjusting screw to allow field adjustment. Reference latest revision of SSP-1776, Part I for spring identification. Refer to the latest revision of Service Letter L287 and select a spring that provides recommended oil pressure for optimum wastegate solenoid and engine performance.</p>				

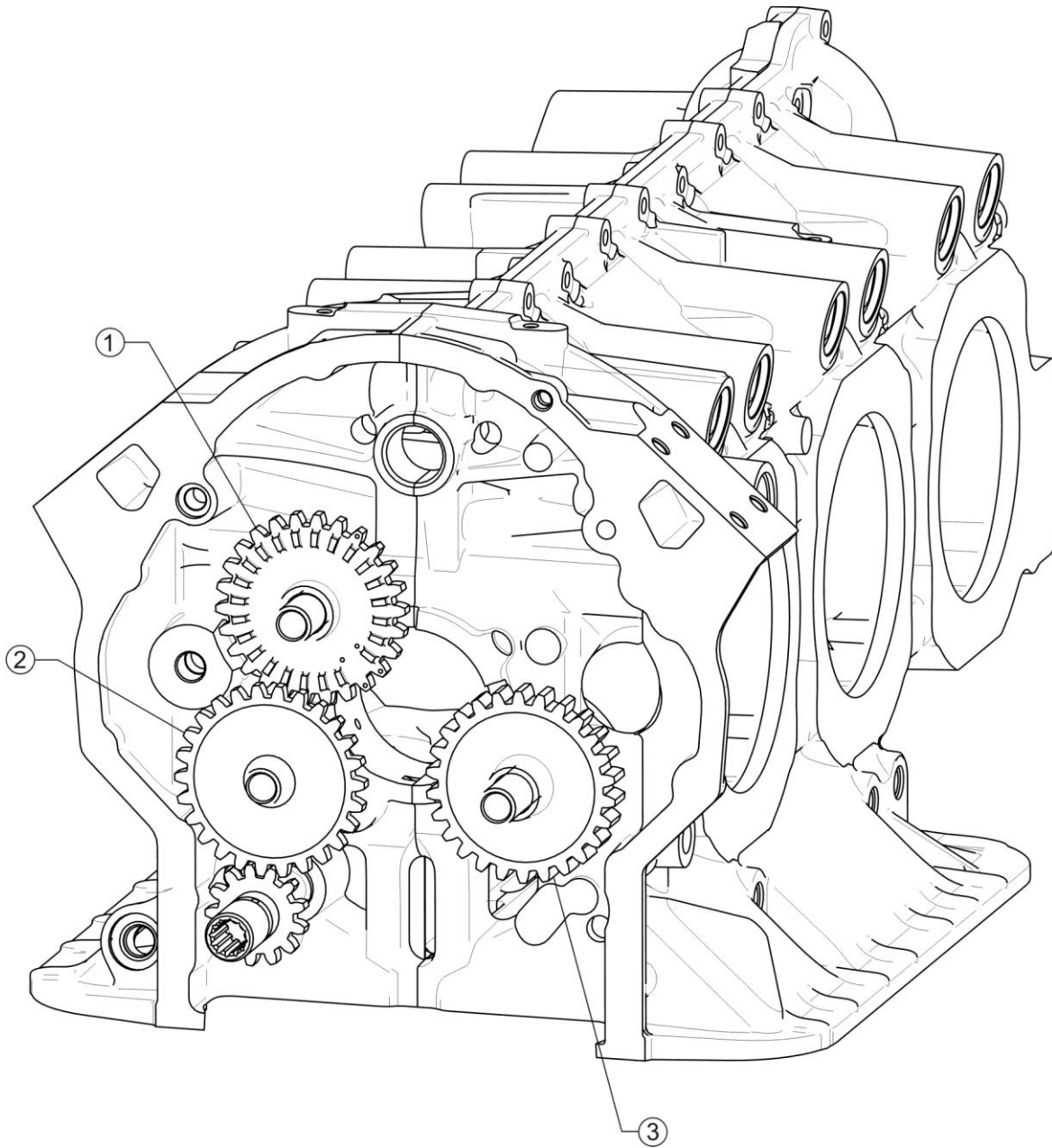


004CR, 005E, 007N, 028AV

Figure 6
Crankshaft, Counterweight, Camshaft and Related Parts

POWER SECTION
Figure 6 - Crankshaft, Counterweight, Camshaft and Related Parts

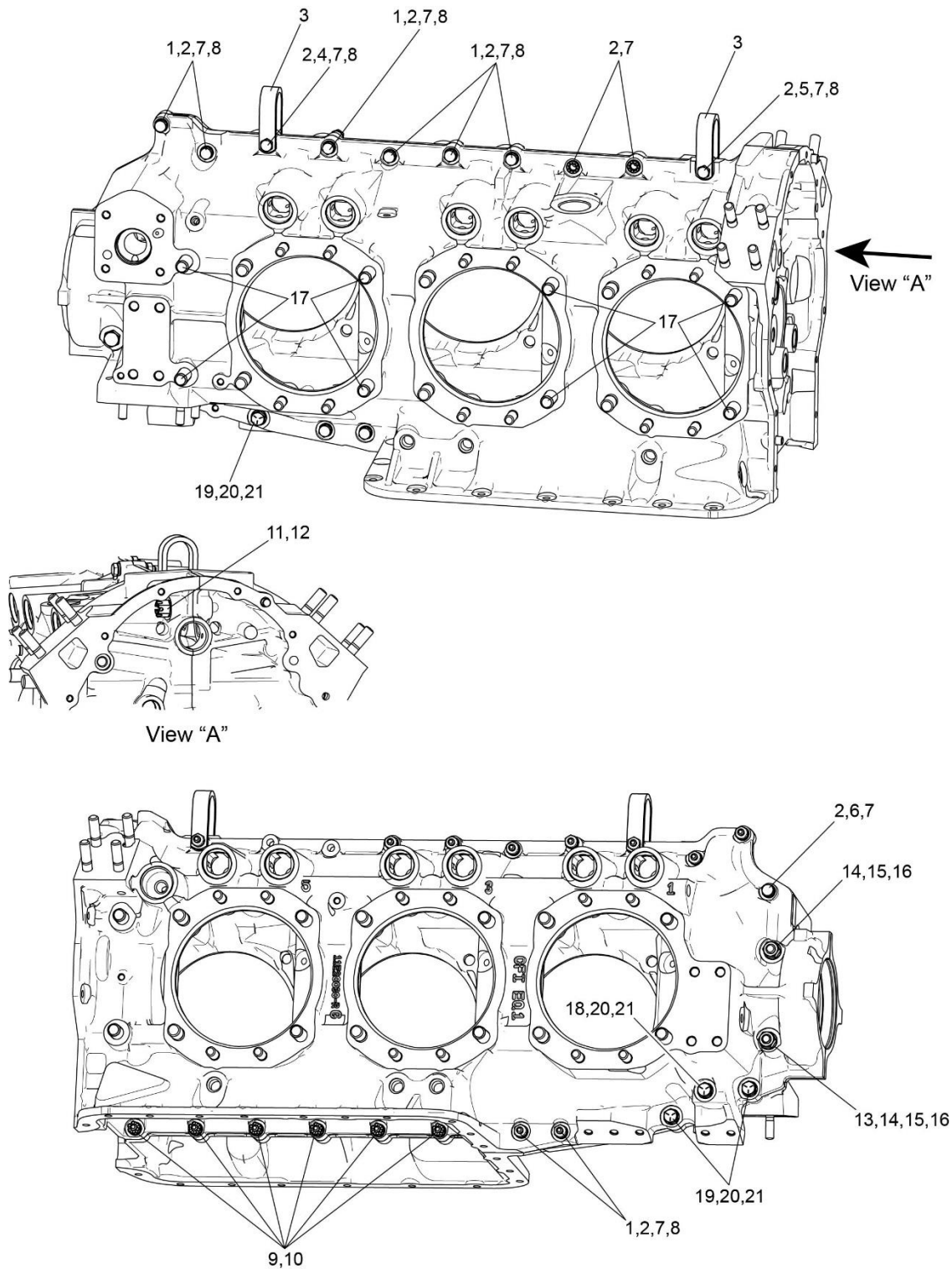
Figure Item	Code	Part Number	Description	Units per Assembly
1		13F47735	CRANKSHAFT ASSEMBLY	1
2		STD-1211	PLUG, 2.00 diameter expansion	1
3		73810	BUSHING, Crankshaft counterweight	4
4		60945	PLUG, 1-1/4 diameter	1
5		75656-S	BUSHING, Propeller flange, long	4
6		72155-S	BUSHING, Propeller flange, short	1
7		79024-S	BUSHING, Propeller flange, indexing	1
8		STD-2078	DOWEL, Stepped, 3/8 O.D. x 1/2 long	1
9		74306	TUBE, crankshaft prop, oil	1
10		LW-19210	COUNTERWEIGHT ASSEMBLY	2
11		71903-A	BUSHING, Dynamic counterweight	4
12		76788	ROLLER, Dynamic counterweight, 6.3 order	2
13		73648	ROLLER, Dynamic counterweight, 5.1 order	2
14		LW-14820	RING, Internal retaining	8
15		71907	WASHER, Dynamic counterweight	8
16		26G26265	CRANKSHAFT GEAR ASSEMBLY,	1
17		23A26268	SHAFT DRIVE, Fuel pump	1
18		01C26131	BOLT, 1/2-20 x 1-3/4 long, hex. head	1
19		STD-8	WASHER, 1/4 plain	3
20		NAS1352C4H10	SCREW, 1/4-20 x 5/8 long, drilled head	3
21		15N28398	CAMSHAFT ASSEMBLY, flat tappet	1
22		LW-13908	CAMSHAFT	1
23		01L26665	SPACER, Camshaft	1
24		STD-2231	RING, Internal retaining	1
25		31M22045	SUPPORT ASSEMBLY, Starter ring gear	1
26		72566	GEAR, Starter ring, 12/14 pitch	1



011W
Figure 7
Crankshaft Idler Gears and EEC Gear Set

POWER SECTION
Figure 7 - Crankshaft Idler Gears and EEC Gear Set

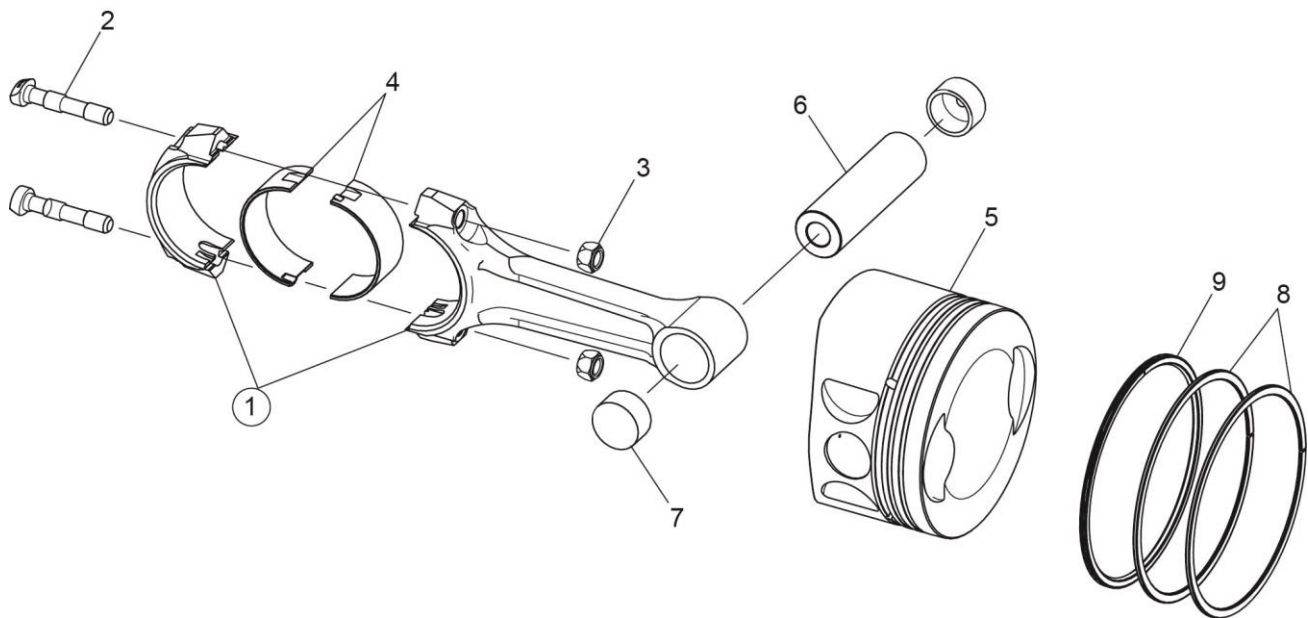
Figure Item	Code	Part Number	Description	Units per Assembly
1		26A26269	GEAR ASSEMBLY, Crankshaft idler	1
2		25B26274	GEAR ASSEMBLY, High speed idler	1
3		LW-10296	GEAR ASSEMBLY, Crankshaft idler	1



009AG
Figure 8
Crankcase Attaching Parts

POWER SECTION
Figure 8 - Crankcase Attaching Parts

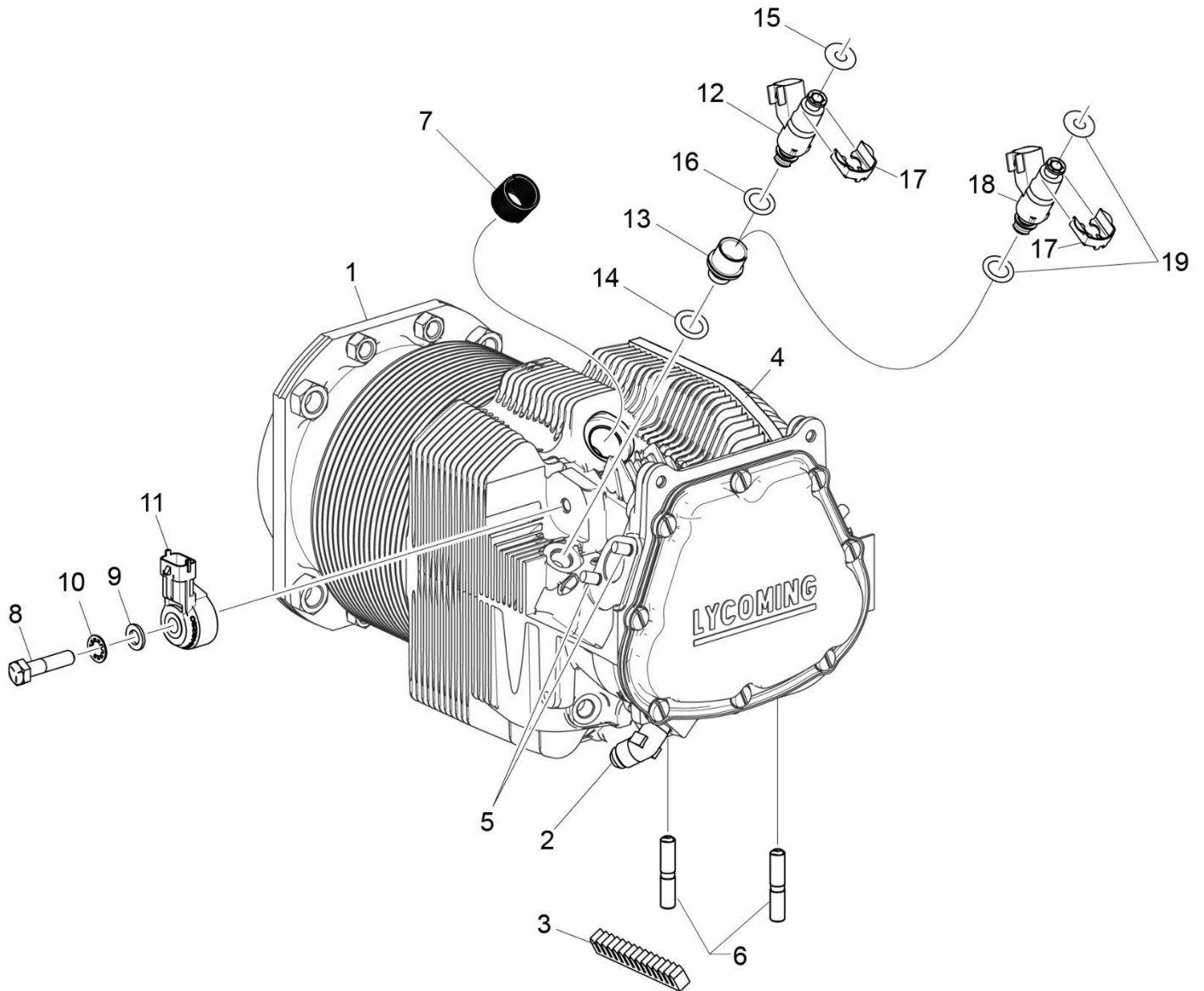
Figure Item	Code	Part Number	Description	Units per Assembly
1		LW-25-1.50	BOLT, 1/4-20 x 1-1/2 long, hex. head	10
2		STD-8	WASHER, 1/4 plain	27
3		60803	STRAP, Lifting	2
4		LW-25-1.75	BOLT, 1/4-20 x 1-3/4 long, hex. head	1
5		LW-25-1.88	BOLT, 1/4-20 x 1-7/8 long, hex. head	1
6		LW-25-1.13	BOLT, 1/4-20 x 1-1/8 long, hex. head	1
7		STD-160	WASHER, 1/4 lock, internal teeth	16
8		STD-1411	NUT, 1/4-20 plain	13
9		LW-25S1.50	BOLT, 1/4-20 x 1-1/2 long, hex. head, drilled	6
10		STD-2249	NUT, 1/4-20 slotted	6
11		STD-33	WASHER, 3/8 plain	1
12		STD-872	NUT, 3/8 slotted	1
13		AN6-34A	BOLT, 3/8-24 x 3-1/2 long, hex. head	1
14		STD-33	WASHER, 3/8 plain	3
15		STD-678	WASHER, 3/8 lock, internal teeth	2
16		STD-596	NUT, 3/8-24 plain	2
17		76220	STUD, 1/2-20 x 10-11/16 long	8
18		LW-31-2.75	BOLT, 5/16-18 x 2-3/4 long, hex.	1
19		LW-31-1.16	BOLT, 5/16-18 x 1-5/32 long, hex.	3
20		STD-35	WASHER, 5/16 plain	4
21		STD-475	WASHER, 5/16 lock, internal teeth	4



006A & 022AE
Figure 9
Connecting Rods, Pistons, and Ring Assemblies

CYLINDER SECTION
Figure 9 - Connecting Rods, Pistons, and Ring Assemblies

Figure Item	Code	Part Number	Description	Units per Assembly
1		LW-19332-S	CONNECTING ROD ASSEMBLY	6
2	*	LW-12596	BOLT, Connecting rod	12
3		LW-12186	NUT, Connecting rod bolt	12
4		18N26106	BEARING, Connecting rod	12
5		14D23907	PISTON, Compression ratio, 7.30:1	6
6		LW-14078	PIN, Piston	6
7		72198	PLUG, Piston pin	12
8		74241	RING, Piston compression	12
9		14H29889	RING, Piston, oil regulating, expander type	6
* Service use only. Refer to the latest revision of Service Instruction S.I. 1458				

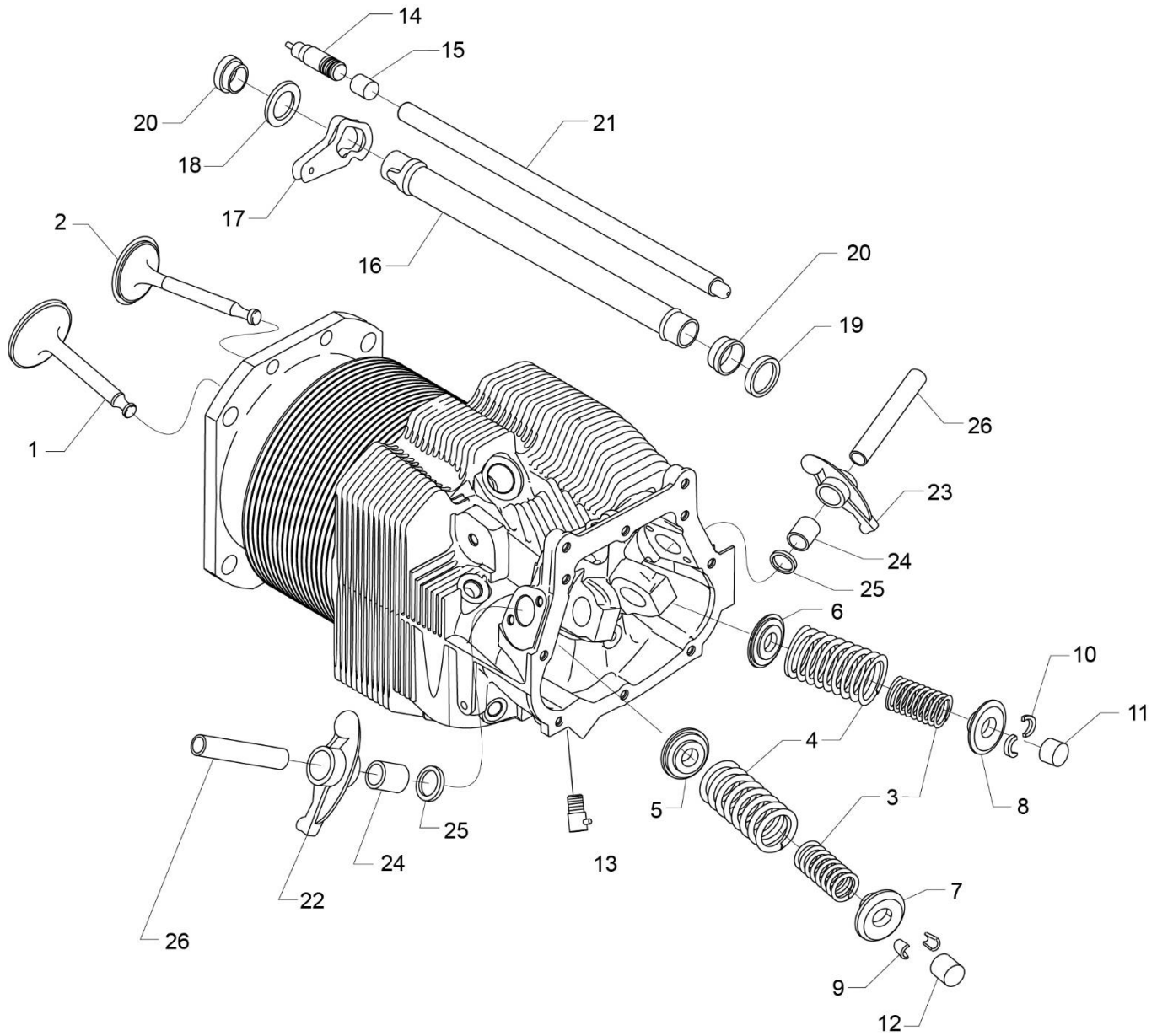


023AH & 040DG
Figure 10
Cylinder Assembly

CYLINDER SECTION
Figure 10 - Cylinder Assembly

Figure Item	Code	Part Number	Description	Units per Assembly
1		16A26347	CYLINDER AND HEAD ASSEMBLY, Nitrided	6
		16A30200-01	CYLINDER AND HEAD ASSEMBLY, Nitrided (Approved alternate for P/N 16A26347)	6
2		MS20823-6D	ELBOW, 45°, 3/8 flared tube	6
3		72343	STABILIZER, Cylinder head fins, 15 teeth	6
4		72344	STABILIZER, Cylinder head fins, 26 teeth	6
5		25C-8	STUD, 1/4-20 x 1.00 long	24
6		31C-13	STUD, 5/16-18 x 1-5/8 long	12
7		69260	INSERT, Spark plug, 18-1.5 mm	12
8		LW-31-1.31	BOLT, 5/16-18 x 1-5/16 long, hex. head	6
9		STD-35	WASHER, 5/16 plain	6
10		STD-475	WASHER, 5/16 lock, internal teeth	6
11		60F29464-CT	SENSOR, Knock, detonation (same on all cyls.) (Replacement for P/N 60F26317-CT)	6
12	*	61X29461-CT	FUEL INJECTOR (Replacement for P/N 61X26294-CT)	6
13		02E29797	ADAPTER, Fuel injector	6
14		06E19769-0.50	GASKET, Annular, 1/2 I.D.	6
15		06C29879-CT	O-RING, Fuel injector, upper (for use with fuel injector P/N 61X29461-CT)	6
16		06C29878-CT	O-RING, Fuel injector, lower (for use with fuel injector P/N 61X29461-CT)	6
17		03A29095-CT	RETAINER, Fuel injector	6
18		61X29461-CT	FUEL INJECTOR	6
19		06C29094-CT	KIT, Fuel injector O-ring for use with P/N 61X26294-CT (includes upper O-ring and lower O-ring)	6

* Refer to the latest revisions of Service Instructions No. 1573 and No. 1582 when replacing fuel injectors part number 61X26294-CT with fuel injectors part number 61X29461-CT.



023AH, 024F, 025K, & 150H
Figure 11
Valve Assembly and Related Parts

CYLINDER SECTION
Figure 11 - Valve Assembly and Related Parts

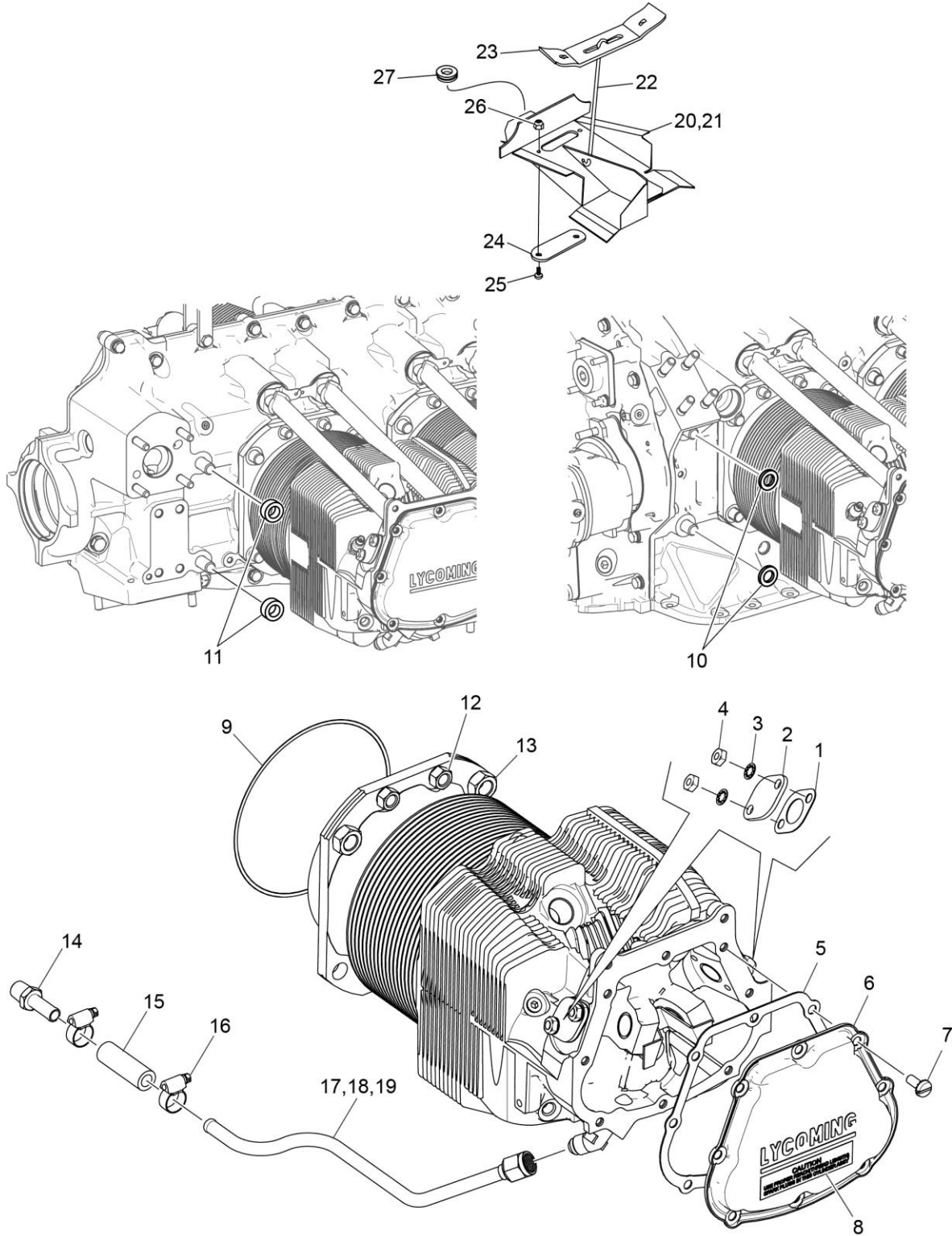
Figure Item	Code	Part Number	Description	Units per Assembly
1		17A23937	VALVE, Intake	6
2		17B23935	VALVE, Exhaust	6
3		17D29057	SPRING, Valve, inner	12
4		17D29056	SPRING, Valve, outer	12
5		LW-13321	SEAT, Valve spring, lower intake	6
6		LW-13322	SEAT, Valve spring, lower exhaust	6
7		69532	SEAT, Valve spring, upper intake	6
8		LW-16475	SEAT, Valve spring, upper exhaust	6
9		72050	KEY, Valve, intake	12
10		17C21191	KEY, Valve, exhaust	12
11		17C19386	CAP, Valve stem, exhaust (rotator type)	6
12		62388	CAP, Valve stem	6
13		AN4076-1	FITTING, Temperature measuring element	6
14		15B26066	PLUNGER ASSEMBLY, Hydraulic lifter	12
15		15B21319	SOCKET, Hydraulic tappet	12
16		72255	SHROUD TUBE ASSEMBLY, Push rod	12
17		15H21201	SPRING, Shroud tube	24
18		66728	WASHER, 25/32 I.D. x 1-1/4 O.D. x 1/32 thick	12
19		61503	SLEEVE, Shroud tube seal	12
20		LW-18661	SEAL, Shroud tube	24

(continued on next page)

Figure 11 - Valve Assembly and Related Parts (Cont.)

Figure Item	Code	Part Number	Description	Units per Assembly
21	AR	15F28835-52	ROD ASSEMBLY, Push (A total of 12 required)	AR
	AR	15F28835-53	ROD ASSEMBLY, Push (A total of 12 required)	AR
	AR	15F28835-54	ROD ASSEMBLY, Push (A total of 12 required)	AR
	AR	15F28835-55	ROD ASSEMBLY, Push (A total of 12 required)	AR
	AR	15F28835-56	ROD ASSEMBLY, Push (A total of 12 required)	AR
	AR	15F28835-57	ROD ASSEMBLY, Push (A total of 12 required)	AR
	AR	15F28835-58	ROD ASSEMBLY, Push (A total of 12 required)	AR
	AR	15F28864-18	ROD ASSEMBLY, Push (A total of 12 required)	AR
	AR	15F28864-19	ROD ASSEMBLY, Push (A total of 12 required)	AR
	AR	15F28864-20	ROD ASSEMBLY, Push (A total of 12 required)	AR
	AR	15F28864-21	ROD ASSEMBLY, Push (A total of 12 required)	AR
	AR	15F28864-22	ROD ASSEMBLY, Push (A total of 12 required)	AR
	AR	15F28864-23	ROD ASSEMBLY, Push (A total of 12 required)	AR
	AR	15F28864-24	ROD ASSEMBLY, Push (A total of 12 required)	AR
22	*	17F21186	ROCKER ASSEMBLY, Valve, intake	6
23	*	17F21185	ROCKER ASSEMBLY, Valve, exhaust	6
24		74389	BUSHING, Valve rocker	12
25		71549	WASHER, Valve rocker	12
26		72626	SHAFT, Valve rocker	12
<p>NOTICE: Various push rod lengths are used to set valve clearances. AR as required * Due to the size of the area where the number is stamped, the last five digits may be all that is shown (21186 or 21185).</p>				

This page intentionally left blank.

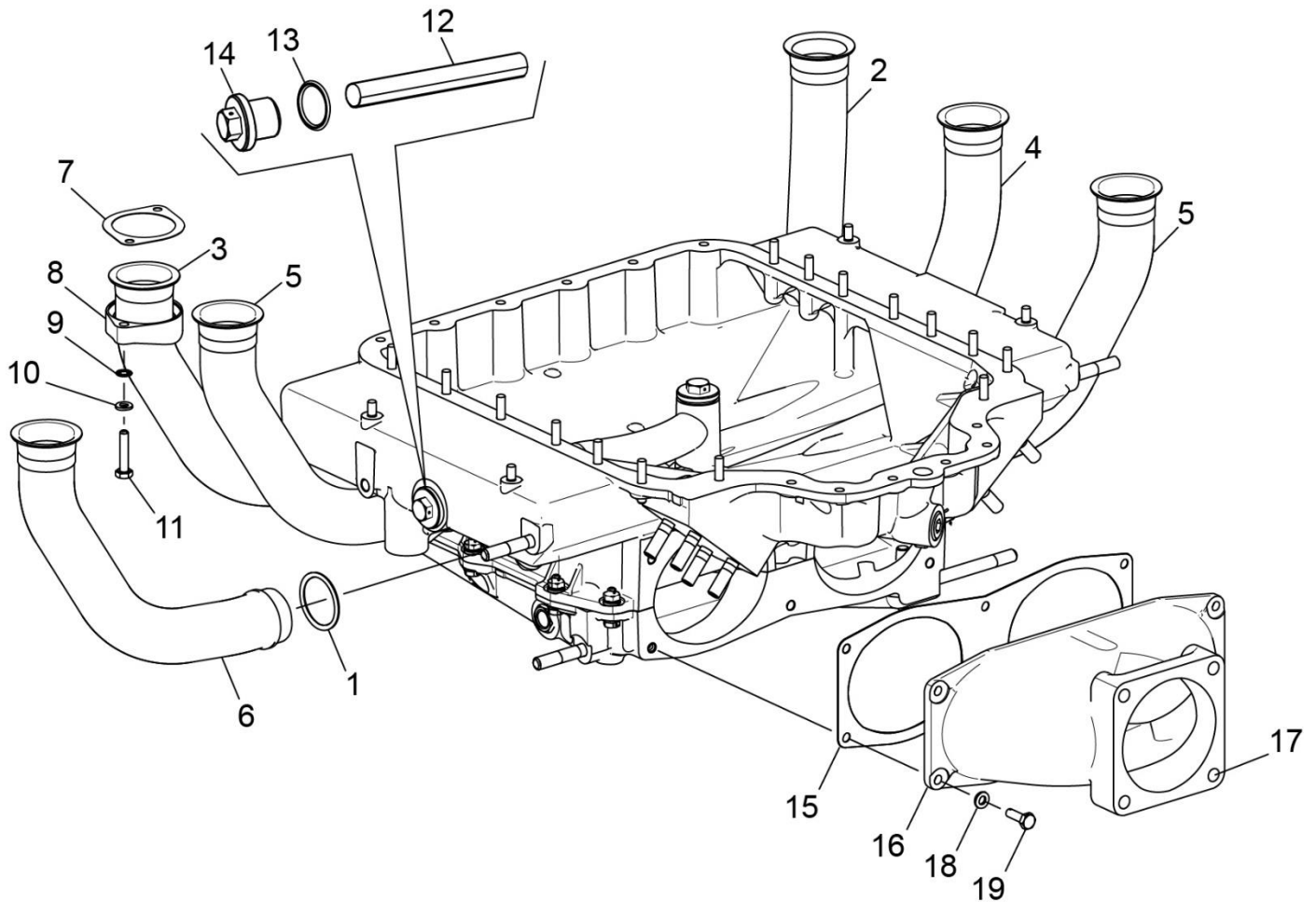


023AH, 025AK, 026A, 036P

Figure 12
Cylinder Related Parts

CYLINDER SECTION
Figure 12 - Cylinder Related Parts

Figure Item	Code	Part Number	Description	Units per Assembly
1		66732	GASKET, Valve rocker shaft cover	12
2		72710	COVER, Valve rocker shaft	12
3		STD-160	WASHER, 1/4 lock, internal teeth	24
4		STD-1411	NUT, 1/4-20 plain	24
5		06B26811	GASKET, Rocker box cover - silicone	6
6		68795	COVER ASSEMBLY, Rocker box	6
7		STD-1925	SCREW, 1/4-20 x 5/8 long, pan. head, self-locking	48
8		74494	PLATE, Spark plug reach caution	6
9		71481	RING, Oil seal, 3/32 diameter x 4-27/32 I.D.	6
10		77906	SPACER, 33/64 I.D. x 7/8 O.D. x 1/8 thick	2
11		74887	SPACER, 33/64 I.D. x 7/8 O.D. x 3/8 thick	2
12		383-B	NUT, 3/8-24 plain	24
13		STD-2090	NUT, 1/2-20 plain	28
14		STD-684	NIPPLE, Straight, 3/8 I.D. hose	6
15		STD-2180	HOSE, 3/8 I.D. x 1-13/16 long	6
16	**	LW-15592-5-04	CLAMP, Hose, 7/16 O.D.	12
	**	LW-15592-5-05	CLAMP, Hose	12
17		72702	TUBE ASSEMBLY, Cyl. hd. oil drain, cyl. No.1	1
18		72703	TUBE ASSEMBLY, Cyl. hd. oil drain, cyl. No. 2	1
19		73027	TUBE ASSEMBLY, Cyl. hd. oil drain, cyls. No. 3, 4, 5, and 6	4
20	*	LW-13430	BAFFLE ASSEMBLY, Intercylinder	1
21	*	75338	BAFFLE ASSEMBLY, Intercylinder	3
22		71610	HOOK, Intercylinder baffle retainer	4
23		71611	RETAINER, Intercylinder baffle	4
24		72834	COVER, Baffle, ignition cable hole	4
25		STD-692	SCREW, No. 10-32 x 1/2 long, round head	8
26		STD-670	LOCK NUT, No. 10-32	8
27		MS34589-22X	GROMMET	1
<p>* P/N LW-13430 is between cylinders No. 2 and 4. P/N 75338 is between the remaining cylinders.</p> <p>** Use only in complete sets of the same part number</p>				



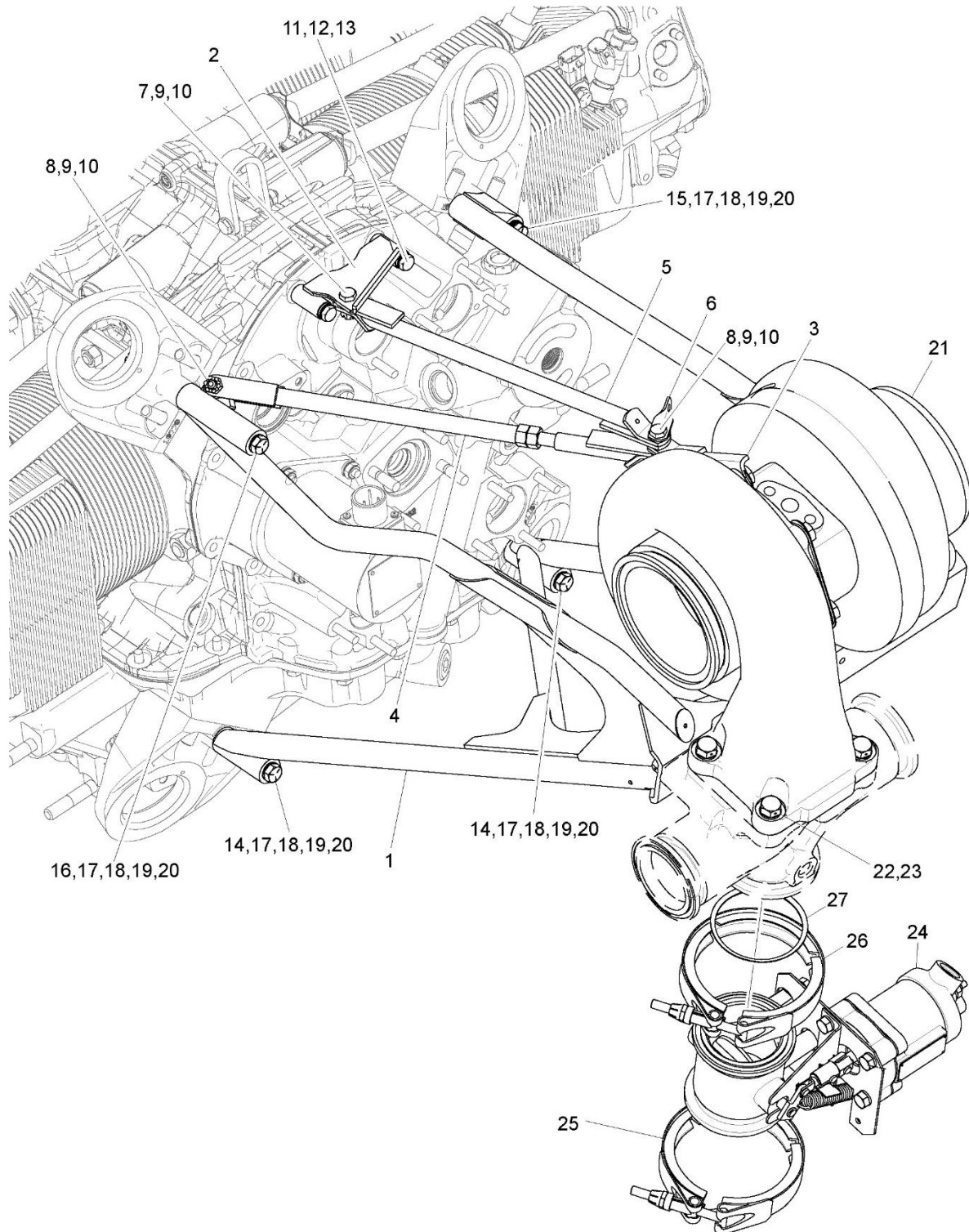
020C, 021A, & 027A

Figure 13

Intake Pipes, Oil Suction Screen, and Air Inlet Housing

TURBOCHARGER SYSTEM
Figure 13 - Intake Pipes, Oil Suction Screen, and Air Inlet Housing

Figure Item	Code	Part Number	Description	Units per Assembly
1		72711	RING, Seal, intake pipes	6
2		LW-12191	PIPE, Intake, cylinder No. 1	1
		42E31611	PIPE, Intake, cylinder No. 1	
3		LW-12192	PIPE, Intake, cylinder No. 2	1
		42E31612	PIPE, Intake, cylinder No. 2	
4		LW-12193	PIPE, Intake, cylinder No. 3	1
		42E31613	PIPE, Intake, cylinder No. 3	
5		LW-12194	PIPE, Intake, cylinders No. 4 and 5	2
		42E31614	PIPE, Intake, cylinders No. 4 and 5	
6		LW-12195	PIPE, Intake, cylinder No. 6	1
		42E31615	PIPE, Intake, cylinder No. 6	
7		71973	GASKET, 2 bolt flange, 1-13/16 I.D.	6
8		74360	FLANGE, Intake pipe, upper	6
9		STD-8	WASHER, 1/4 plain	12
10		STD-160	WASHER, 1/4 lock, internal teeth	12
11		LW-25-1.25	BOLT, 1/4-20 x 1-1/4 long, hex. head	12
12		60422	SCREEN, Oil suction	1
13		06E19769-1.00	GASKET, Annular, 1.00 I.D.	1
14		LW-12545	PLUG, 5/8 hex. head x 1.00-20 thread	1
15		72210	GASKET, Air throttle housing	1
16		77998	HOUSING ASSEMBLY, Air inlet	1
17		STD-1164	INSERT, 5/16-18 x 5/8 long	4
18		STD-8	WASHER, 1/4 plain	6
19		LW-25-0.81	BOLT, 1/4-20 x 13/16 long, hex. head	6

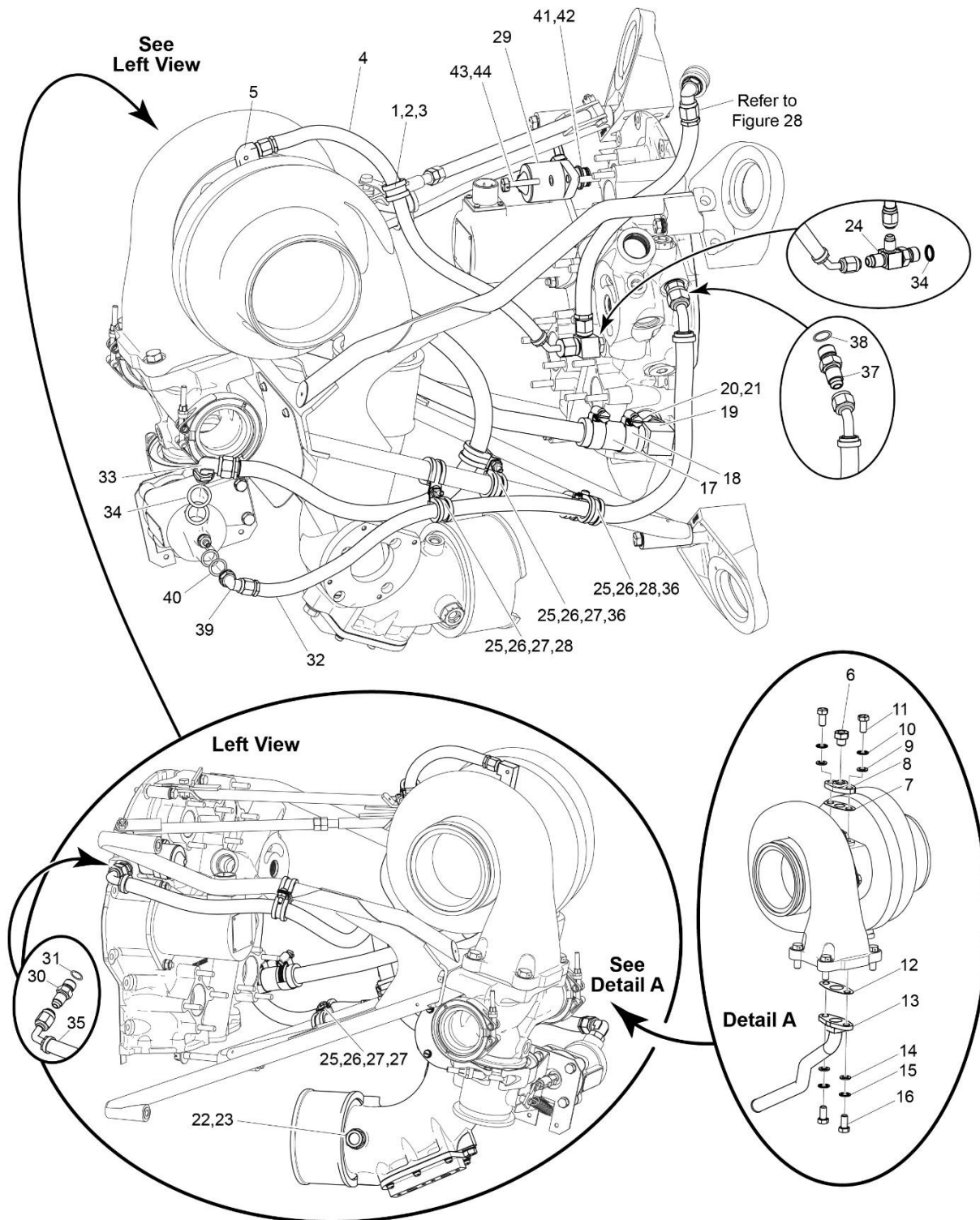


052T
Figure 14
Turbocharger, Supports, and Attaching Parts

TURBOCHARGER SYSTEM
Figure 14 - Turbocharger, Supports, and Attaching Parts

Figure Item	Code	Part Number	Description	Units per Assembly
1		07E29522	SUPPORT ASSEMBLY, Turbocharger J, TIO-540	1
2		LW-18459	BRACKET, Support rod, turbo	1
3		LW-12435	PLATE, Top support	1
4		LW-16965	ROD, Top support, left	1
5		LW-18248	ROD, Top support, right	1
6		72815	BRACKET, Support clamp, 90°	1
7		LW-25S0.77	BOLT, 1/4-20 x 49/64 long, drilled end	1
8		LW-25S1.14	BOLT, 1/4-20 x 1-9/64 long, drilled end	2
9		STD-1864	NUT, 1/4-20 slotted	3
10		STD-68	PIN, 1/16 diameter x 1/2 long	3
11		STD-8	WASHER, 1/4 plain	2
12		LW-25-2.00	BOLT, 1/4-20 x 2.00 long, hex. head	2
13		STD-160	WASHER, 1/4 lock, internal teeth	2
14		LW-31S4.56	BOLT, 5/16-18 x 4-7/16 long, drilled end	2
15		LW-31S3.94	BOLT, 5/16-18 x 3-15/16 long, drilled end	1
16		LW-31S5.44	BOLT, 5/16-18 x 5-7/16 long, drilled end	1
17		STD-2205	WASHER, Plain 5/16, thin	4
18		STD-2197	WASHER, 21/64 I.D. x 13/64 O.D. x 1/16	4
19		STD-1420	NUT, 5/16-18 slotted	4
20		STD-68	PIN, Cotter, 1/16 diameter x 1/2 long	4
21		LW-12463	TURBOCHARGER	1
22		AN960C616	WASHER, 3/8 plain	6
23		STD-2145	BOLT, 3/8-16 x 1-3/16 long hex. head	6
24	*	47E31569	VALVE, Exhaust bypass	1
25	**	LW-12093-6	COUPLING, V-band, 2-1/4 O.D. tube	1
26		LW-12125-3	COUPLING, V-band, 2-1/4 O.D. tube	1
27		75845	GASKET, V-band coupling, 2-1/4	1

* Exhaust bypass valve P/N 47E31569 supersedes P/N 47E29907. Refer to Service Instruction No. 1589 for additional details.
** V-band coupling P/N LW-12093-6 to attach the tailpipe to the wastegate exit is shipped loose with the engine.



054AN, 055AR
Figure 15
Turbocharger Hoses and Related Parts - Right Side View

TURBOCHARGER SYSTEM
Figure 15 - Turbocharger Hoses and Related Parts

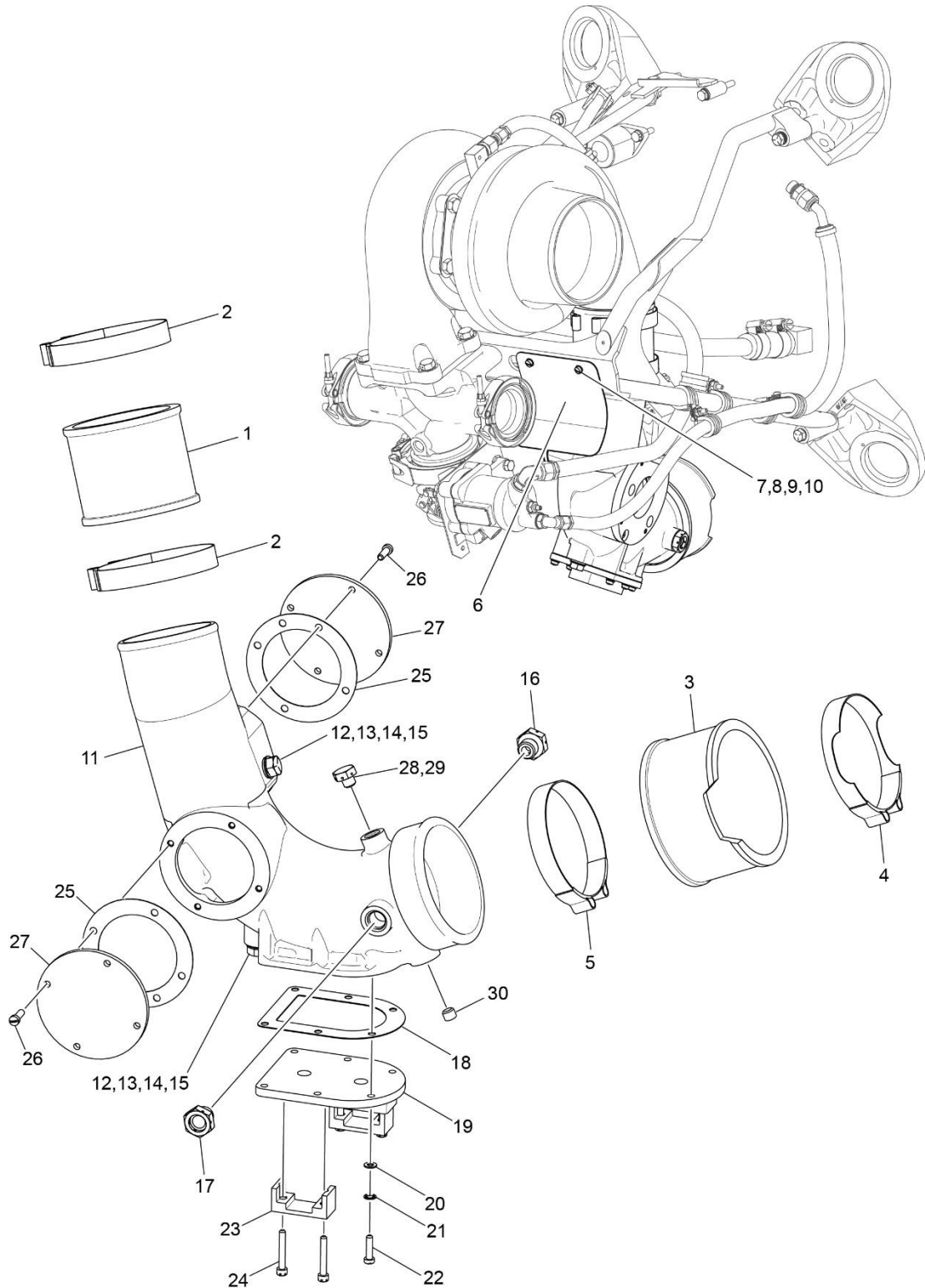
Figure Item	Code	Part Number	Description	Units per Assembly
1		LW-16266-10-63	CLAMP, 5/8 I.D. x No. 10 screw	1
2		STD-860	SCREW, No. 10-32 x 5/8 long, fill. head	1
3		STD-670	LOCK NUT, No. 10-32	1
4		LW-12878-4S170	HOSE ASSEMBLY, 1/4 hose, 45° elbow	1
5		LW-12690	ELBOW, 90° tube to male	1
6		STD-1932	BUSHING, 1/4 to 1/8 NPT	1
7		75371	GASKET, Turbo oil inlet adapter	1
8		LW-14465	ADAPTER, Turbo oil	1
9		STD-33	WASHER, 3/8 plain	2
10		STD-678	WASHER, 3/8 lock, internal teeth	2
11		LW-38-0.75	BOLT, 3/8-16 x 3/4 long, hex. head	2
12		78903	GASKET, Turbo oil drain	1
13		LW-18307	TUBE ASSEMBLY, Turbo oil drain	1
14		STD-33	WASHER, 3/8 plain	2
15		STD-678	WASHER, 3/8 lock, internal teeth	2
16		LW-38-0.75	BOLT, 3/8-16 x 3/4 long, hex. head	2
17		73781	HOSE, 3/4 I.D. x 2-1/2 long	1
18		LW-15592-8-12	CLAMP, Hose	2
19		LW-18231	ELBOW, Hose to universal 90°	1
20		LW-13487	NUT, Turbo oil drain	1
21		MS29512-10	SEAL, Oil, 7/64 dia. sect. x 3/4 I.D.	1
22		AN814-6L	PLUG, 9/16-18, hex. head	1
23		MS29512-06	O-RING, 15/32 I.D. x 5/64 section	1
24		74369	TEE, 1/4 TUB-Adj.w/ straight thd. on run.	1
25		STD-860	SCREW, No. 10-32 x 5/8 long, fill. head	4
26		STD-670	LOCK NUT, No. 10-32	4
27		LW-16266-10-75	CLAMP, 3/4 I.D. x No. 10 screw	4
28		LW-16266-10-63	CLAMP, 5/8 I.D. x No. 10 screw	2

(continued on next page)

Figure 15 - Turbocharger Hoses and Related Parts (Cont.)

Figure Item	Code	Part Number	Description	Units per Assembly
29	◆	02L26305	VALVE, Solenoid, 2-way	1
	◆	02L29677	VALVE, Solenoid, 2-way	1
30		LW-16561	NIPPLE, 1/4 tube to 9/16-18	1
31		MS29512-06	O-RING	1
32		LW-12878-4S260	HOSE ASSEMBLY, 1/4 hose, 45° elbow	1
33		72376	90° ELBOW, 1/4 tube x 7/16	1
34		MS29512-04	O-RING	2
35		LW-12877-6S330	HOSE ASSEMBLY, Teflon 3/8 hose, 90° elbow with straight fitting	1
36		LW-16266-10-75	CLAMP, 3/4 I.D. x No. 10 screw	2
37		LW-16562	NIPPLE, 3/8 flared tube, 9/16-18	1
38		MS29512-06	O-RING	1
39		72377	ELBOW, 3/8 flared tube adjustable	1
40		MS29512-06	O-RING	1
41		MS28775-018	O-RING	1
42		MS28775-021	O-RING	1
43		LW-25H1.00	BOLT, 1/4-20 x 1.00 long, hex. head, drilled	1
44		STD-8	WASHER, 1/4 plain	1
◆ Refer to the latest revision of Service Instruction No. 1573 for Solenoid Valve Part Numbers, ECU Part Numbers, Fuel Injector Part Numbers, and Calibration Tables that must be used together				

This page intentionally left blank.

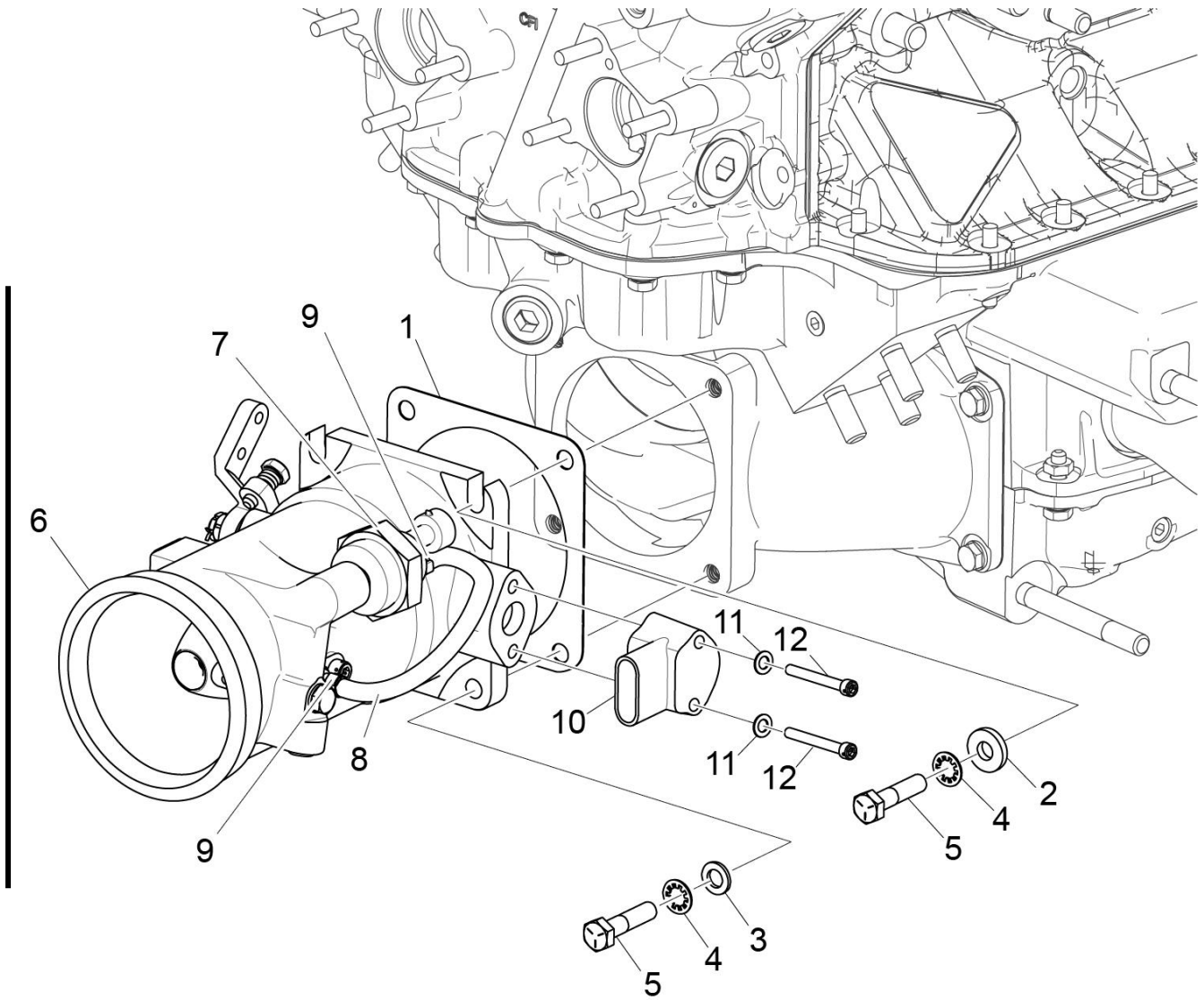


053AN

Figure 16
Rear Turbo Air Inlet Housing

TURBOCHARGER SYSTEM
Figure 16 - Rear Turbo Air Inlet Housing

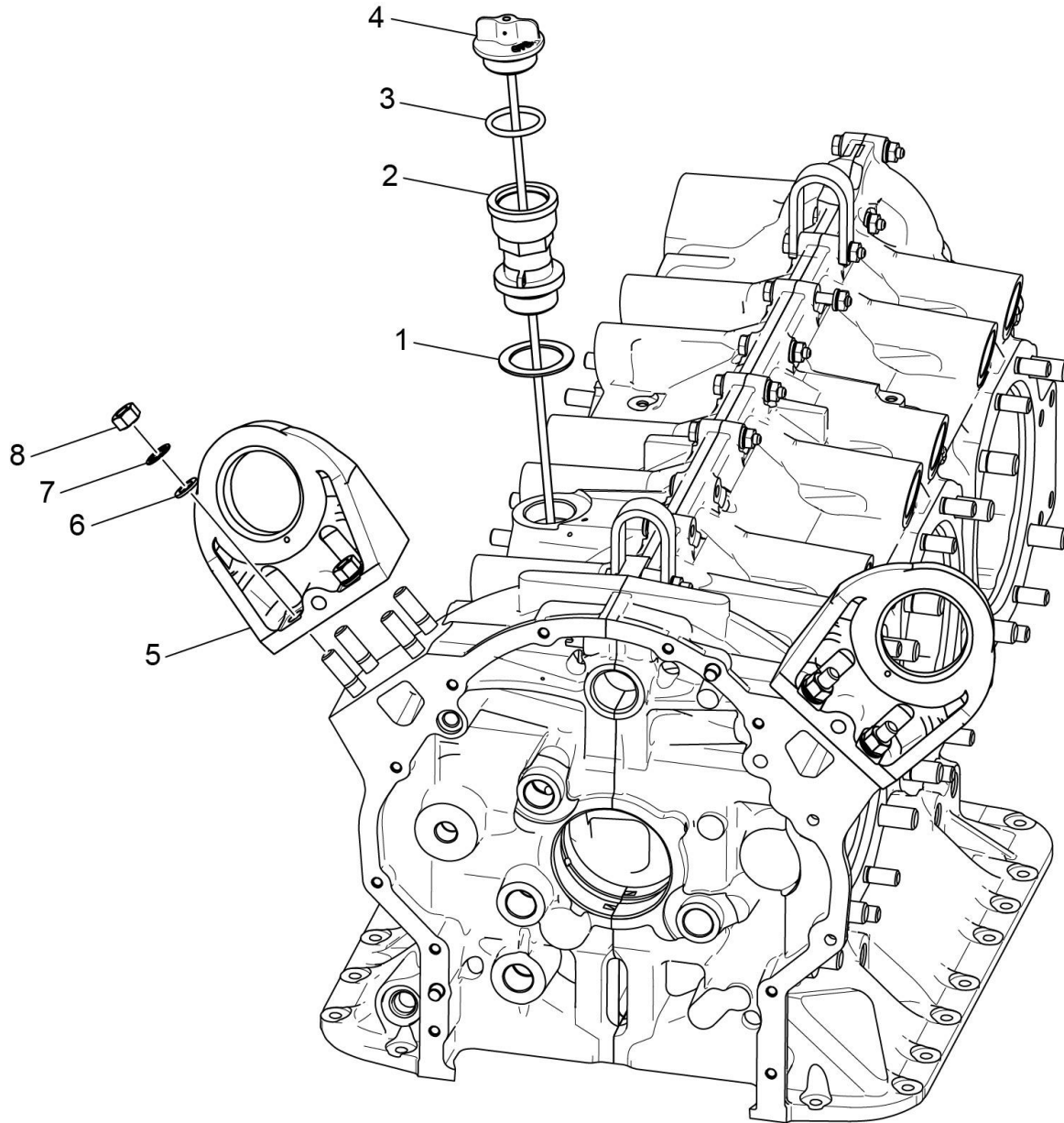
Figure Item	Code	Part Number	Description	Units per Assembly
1		LW-12434	HOSE, 3.00 I.D. x 2-15/16 long	1
2		LW-15858-62-350	CLAMP, T-bolt	2
3		LW-15569	HOSE, Fuel injector inlet	1
4		07C29900	CLAMP, T-bolt, 4-3/8 dia.	1
5		LW-15858-62-443	CLAMP, T-bolt	1
6		76791	BAFFLE, Transition, turbocharger	1
7		STD-110	SCREW, No. 10-24 x 1/2 long, fill. head	2
8		STD-251	WASHER, No. 10 lock, internal lock	2
9		STD-420	NUT, No. 10-24 plain	2
10		STD-425	WASHER, No. 10 plain	2
11		LW-12466	BOX, Air inlet	1
12		LW-38-0.59	BOLT, 3/8-16 x 19/32 long, hex. head	2
13		STD-33	WASHER, 3/8 plain	2
14		STD-678	WASHER, 3/8 lock, internal teeth	2
15		MS29512-06	O-RING, 15/32 I.D. x 5/64 section	2
16		AN814-6L	PLUG, 9/16-18 hex. head	1
17		74797	FITTING, 9/16-18 x 1/8-27 NPT	1
18		77723	GASKET, Turbocharge by-pass	1
19		03D29691	COVER, Air inlet housing	1
20		STD-28	WASHER, No. 10 plain	14
21		STD-251	WASHER, No. 10, internal lock	6
22		STD-1501	SCREW, No. 10-24 x 3/4 long fill. head	6
23		07C26303	HOLD DOWN, Deck pressure sensor	2
24		NAS1352C3H20	SCREW, No. 10-24 x 1-1/4 long, socket	4
25		73314	GASKET, Density and differential	2
26		STD-375	SCREW, No. 10-24 x 5/8 long fill. head	8
27		42B26926	COVER, Induction	2
28		MS29512-03	O-RING, 19/64 I.D. x .1/16 section	1
29		AN814-3L	PLUG AND BLEEDER, 3/8-24 UNF dr.	1
30		1102	PLUG, 1/8-27 NPT, allen head	1



039EW
Figure 17
Electronic Throttle Body

TURBOCHARGER SYSTEM
Figure 17 - Electronic Throttle Body

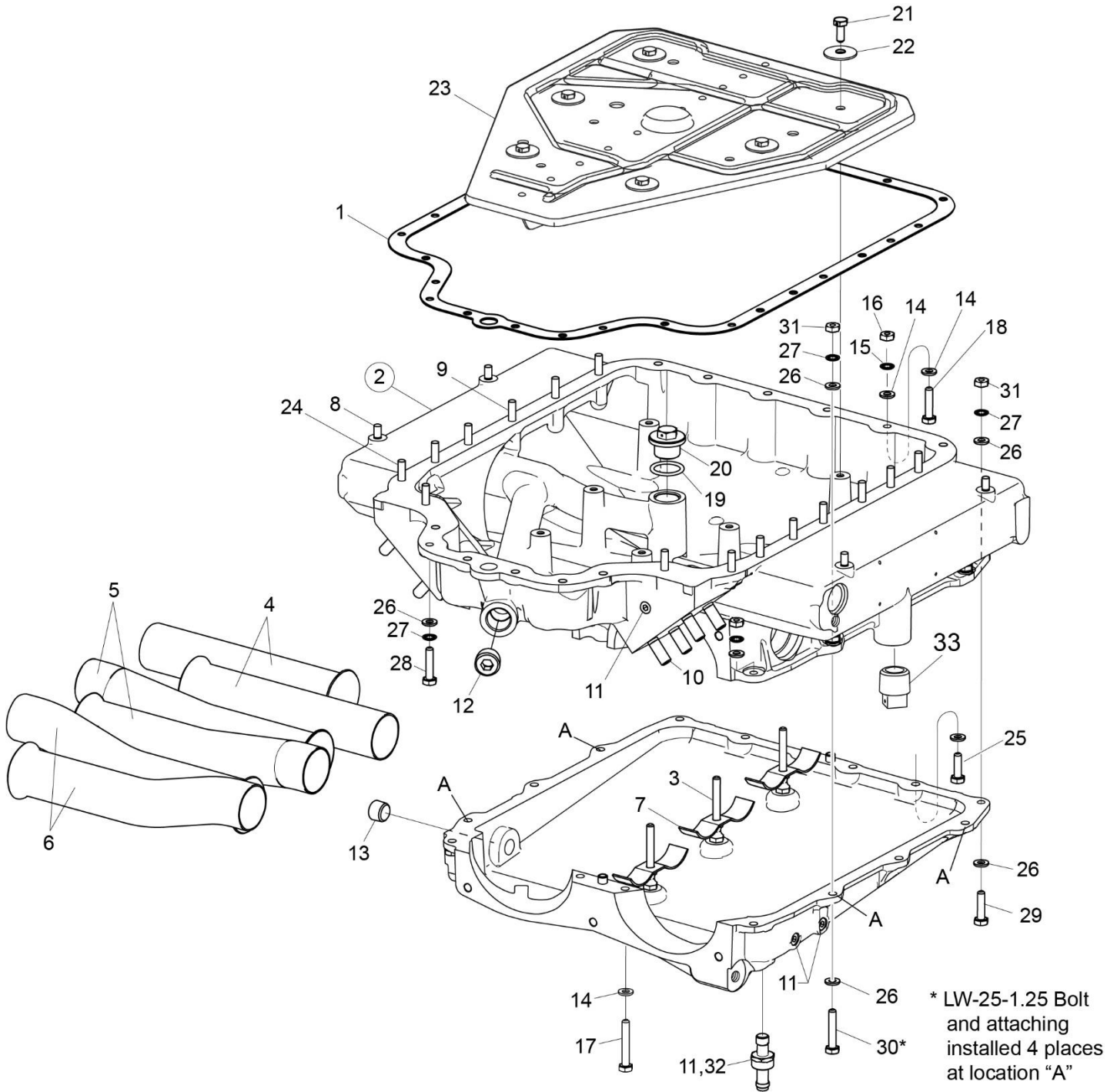
Figure Item	Code	Part Number	Description	Units per Assembly
1		73032	GASKET, Air inlet housing	1
2		STD-1727	WASHER, Plain, 3/4 O.D. x 11/32 I.D. x 1/8 thick	2
3		STD-35	WASHER, 5/16 plain	2
4		STD-475	WASHER, 5/16 lock, internal teeth	4
5		LW-31-1.31	BOLT, 5/16-18 x 1-5/16 long	4
6		65T28321	THROTTLE BODY ASSEMBLY	1
7		60E26316-CT	SENSOR, Low pressure transducer	1
8		02M26336	HOSE, Throttle body, 5/16 O.D. x 3/16 I.D.	1
9		07C26344-CT	CLAMP, Fuel line	2
10		60D29906-CT	SENSOR, Throttle position	1
11		NAS1149EN832P	WASHER, Flat – No.8	2
12		NAS1352C08H24	SCREW, Cap #8-32 X 1.500 Long Drilled	2



061AM, 064AC
Figure 18
Oil Level Gage and Engine Mounting Brackets

LUBRICATION SYSTEM
Figure 18 - Oil Level Gage and Engine Mounting Brackets

Figure Item	Code	Part Number	Description	Units per Assembly
1		70457	GASKET, Oil filler extension	1
2		75675	EXTENSION, Oil filler (2-3/16 long)	1
3		74065	RING, Oil level gage seal	1
4		LW-16783-34	GAGE ASSEMBLY, Oil level	1
5		12A19770	BRACKET, Engine mounting (dynafocal)	4
6		STD-33	WASHER, 3/8 plain	16
7		STD-678	WASHER, 3/8 lock, internal teeth	16
8		STD-596	NUT, 3/8-24 plain	16

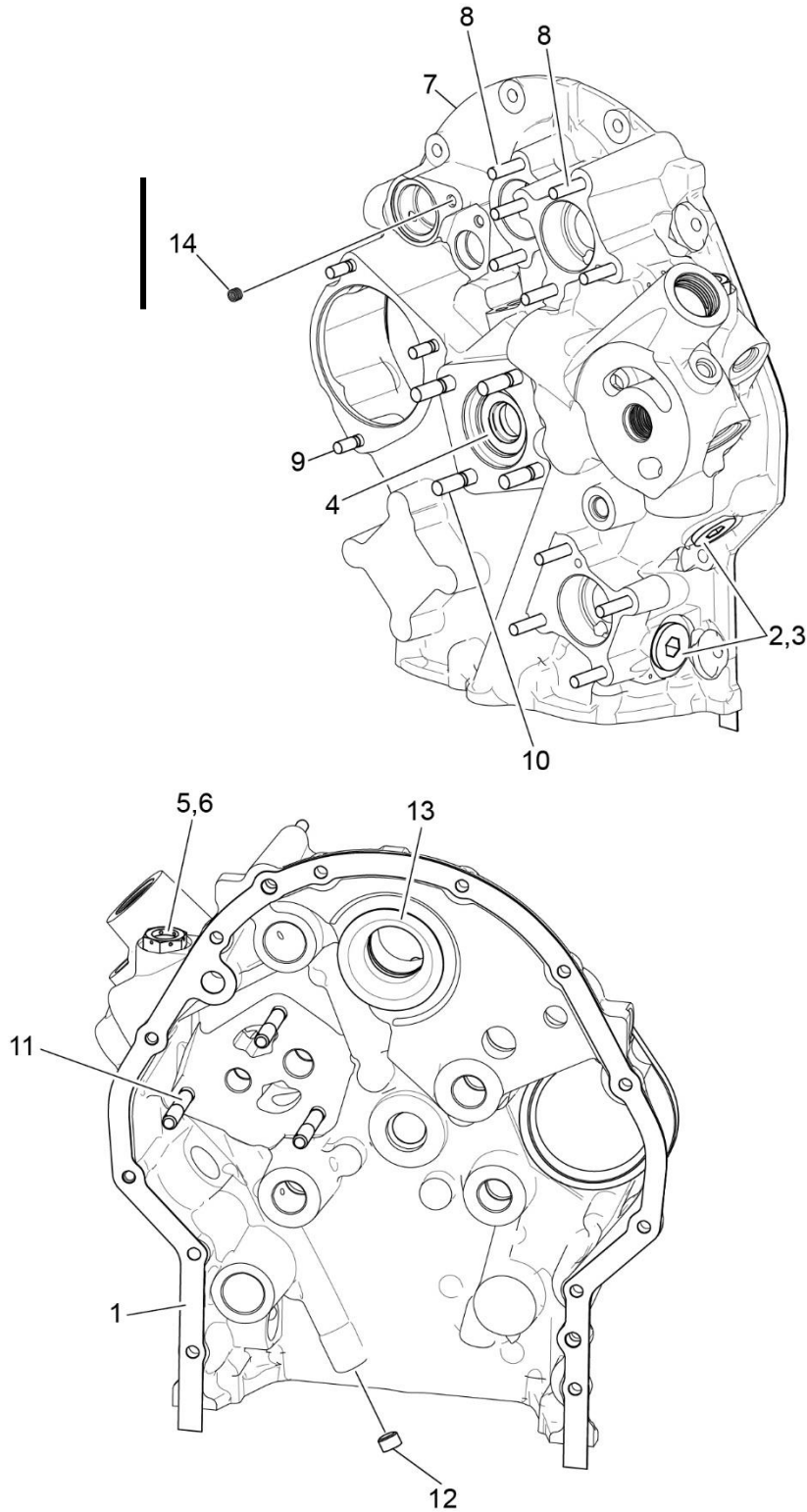


019BT
Figure 19
Oil Sump and Induction Housing Assembly

LUBRICATION SYSTEM
Figure 19 - Oil Sump and Induction Housing Assembly

Figure Item	Code	Part Number	Description	Units per Assembly
1		06B21326	GASKET, Oil sump	1
2		56A26781-03	HOUSING ASSEMBLY, Oil sump and induction	1
3		72179	STUD, Intake pipe, extension pipe	3
4		72167	PIPE, Extension, intake, cyl. No. 1 and 2	2
5		72168	PIPE, Extension, intake, cyl. No. 3 and 4	2
6		72169	PIPE, Extension, intake, cyl. No. 5 and 6	2
7		LW-11273	CLAMP, Intake pipe extension	3
8		25C-9	STUD, 1/4-20 x 1-1/8 long	4
9		25C-11	STUD, 1/4-20 x 1-3/8 long	13
10		38-17	STUD, 3/8-16 x 2-1/8 long	8
11		1102	PLUG, 1/8-27 NPT, allen head	4
12		STD-91	PLUG, 1/2-14 NPT, allen head	1
13		STD-784	PLUG, 3/8-18 NPT, allen head	1
14		STD-8	WASHER, 1/4 plain	29
15		STD-160	WASHER, 1/4 lock, internal teeth	13
16		STD-1411	NUT, 1/4-20 plain	13
17		LW-25-2.00	BOLT, 1/4-20 x 2.00 long, hex. head	2
18		LW-25-1.00	BOLT, 1/4-20 x 1.00 long, hex. head	6
19		06E19769-0.91	GASKET, Annular, 29/32 I.D.	1
20		72960	PLUG, 7/8-14 x 5/8, hex. head	1
21		LW-25H0.63	BOLT, 1/4-20 x 5/8 long, hex. head	6
22		AN970-4	WASHER, Flat, 17/64 I.D. x 1-1/8 O.D. x 1/16	6
23		56G28031	BAFFLE, Oil sump	1
24		25C-12	STUD, 1/4-20 x 1-1/2 long	2
25		LW-25-0.81	BOLT, 1/4-20 x 13/16 long, hex. head	4
26		STD-8	WASHER, 1/4 plain	33
27		STD-160	WASHER, 1/4 lock, internal teeth	27
28		LW-25-1.13	BOLT, 1/4-20 x 1-1/8 long, hex. head	6
29		LW-25-1.00	BOLT, 1/4-20 x 1.00 long, hex. head	6
30*		LW-25-1.25	BOLT, 1/4-20 x 1-1/4 long, hex. head	4
31		STD-1411	NUT, 1/4-20 plain	21
32		LW-13807	ADAPTER ASSEMBLY, Fuel drain valve	1
33		STD-551	PLUG, 1/2-14 NPT, square head, drilled	2

* LW-25-1.25 bolts installed in 4 locations, designated "A" in Figure 18



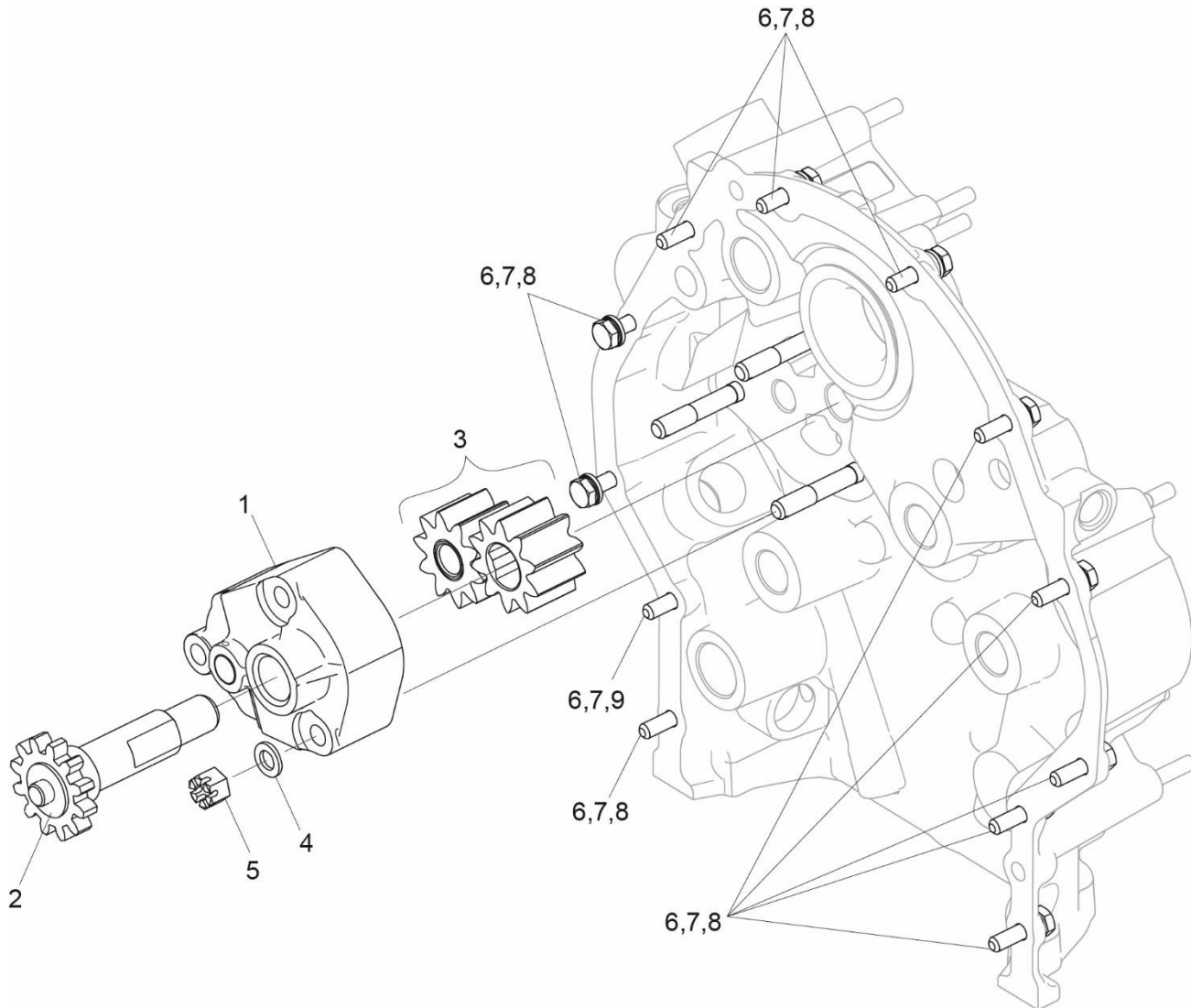
012BN

Figure 20

Accessory Housing Assembly

ACCESSORY DRIVES
Figure 20 - Accessory Housing Assembly

Figure Item	Code	Part Number	Description	Units per Assembly
1		06B26276	GASKET, Accessory housing	1
2		03C21720	PLUG, 7/8-14 thread	2
3		MS29512-10	SEAL, Oil, 3/32 section x 45/64 I.D.	2
4		06A26277	SEAL, Fuel pump, 3/4 I.D. x 1-3/8 O.D.	1
5		AN814-6L	PLUG, 9/16-18 hex. head	1
6		MS29512-06	O-RING, 15/32 I.D. x 5/64 section	1
7		21H26254-01	ACCESSORY HOUSING, Studding	1
8		25C-12	STUD, 1/4-20 x 1-1/2 long	10
9		25C-10	STUD, 1/4-20 x 1-1/4 long	3
10		31C-14	STUD, 5/16-18 x 1-3/4 long	4
11		31CD-20	STUD, 5/16-18 x 2-1/2 long, drilled	3
12		1102	PLUG, 1/8-27 NPT, Allen head	1
13		76156	SHIELD, Oil accessory breather	1
14		STD-1173	INSERT, 1/4-20 UNC x 1/2 long	1



013J

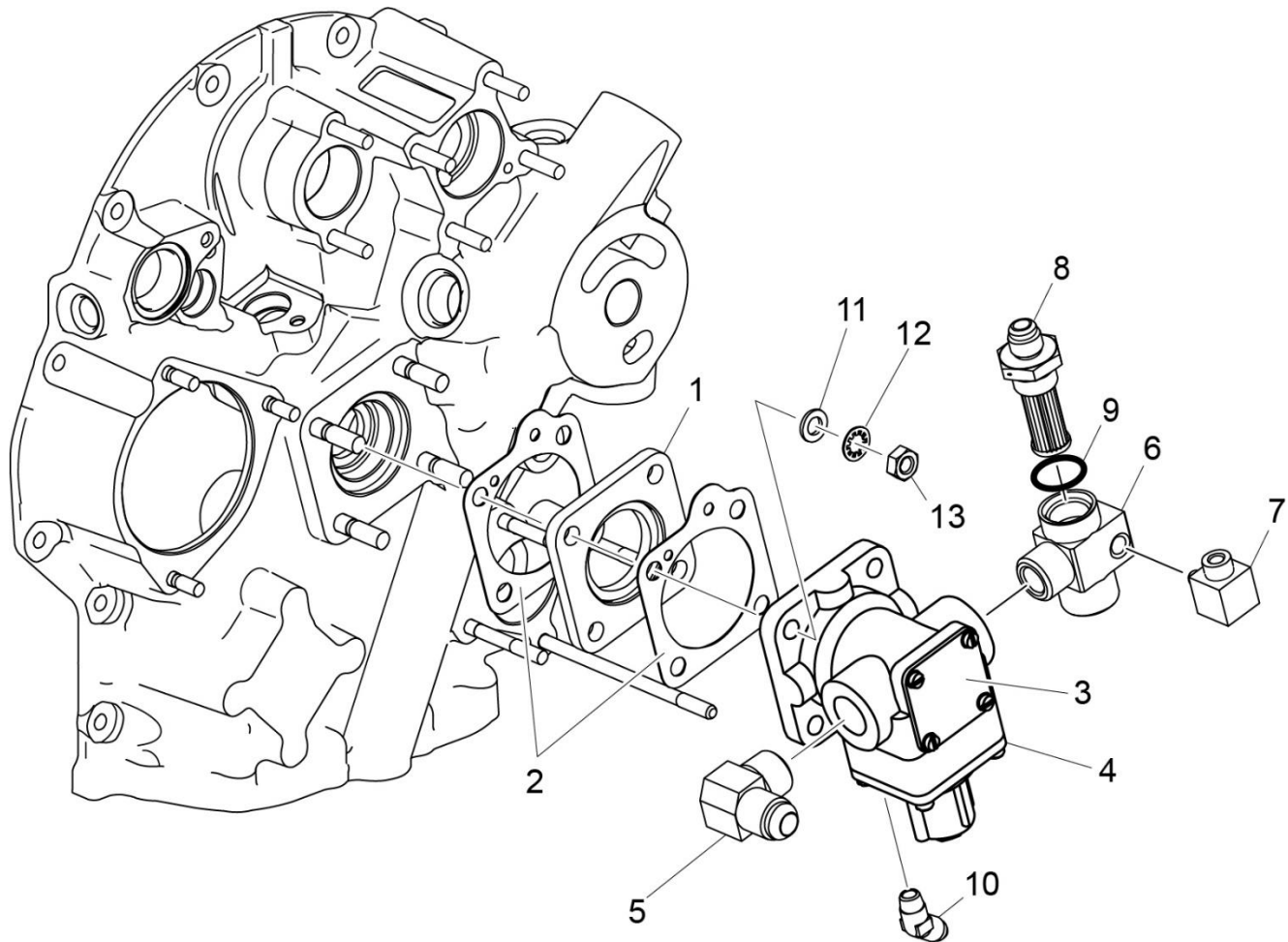
Figure 21

Oil Pump Assembly and Accessory Housing Attaching Parts

ACCESSORY DRIVES

Figure 21 - Oil Pump Assembly and Accessory Housing Attaching Parts

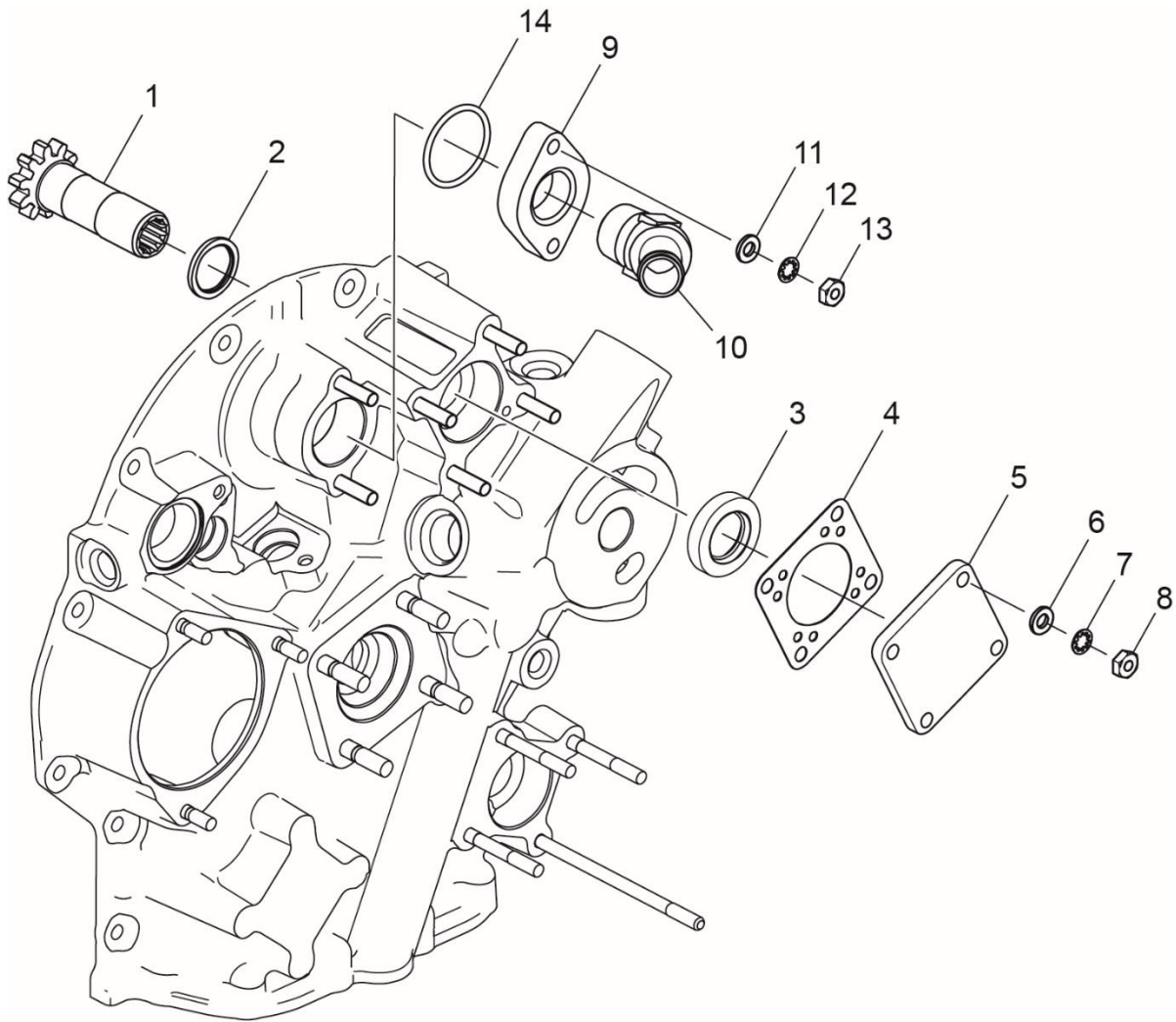
Figure Item	Code	Part Number	Description	Units per Assembly
1		51A29876	BODY ASSEMBLY, Oil pump	1
		LW-10344	BODY ASSEMBLY, Oil pump	1
2		LW-10318	GEAR ASSEMBLY, Oil pump drive	1
3		05K23463	IMPELLER KIT	1
	*	51C23290	IMPELLER ASSEMBLY, Oil pump driven	1
	*	51B23274	IMPELLER, Oil pump driving	1
4		STD-35	WASHER, 5/16 plain	3
5		STD-1420	NUT, 5/16-18 slotted	3
6		STD-8	WASHER, 1/4 plain	12
7		STD-160	WASHER, 1/4 lock, internal teeth	12
8		LW-25-0.94	BOLT, 1/4-20 x 15/16 long, hex. head	11
9		LW-25-1.25	BOLT, 1/4-20 x 1-1/4 long, hex. head	1
* Sold in complete sets only (Kit P/N 05K23463).				



035BA
Figure 22
Fuel Pump Assembly and Attaching Parts

ACCESSORY DRIVES
Figure 22 - Fuel Pump Assembly and Attaching Parts

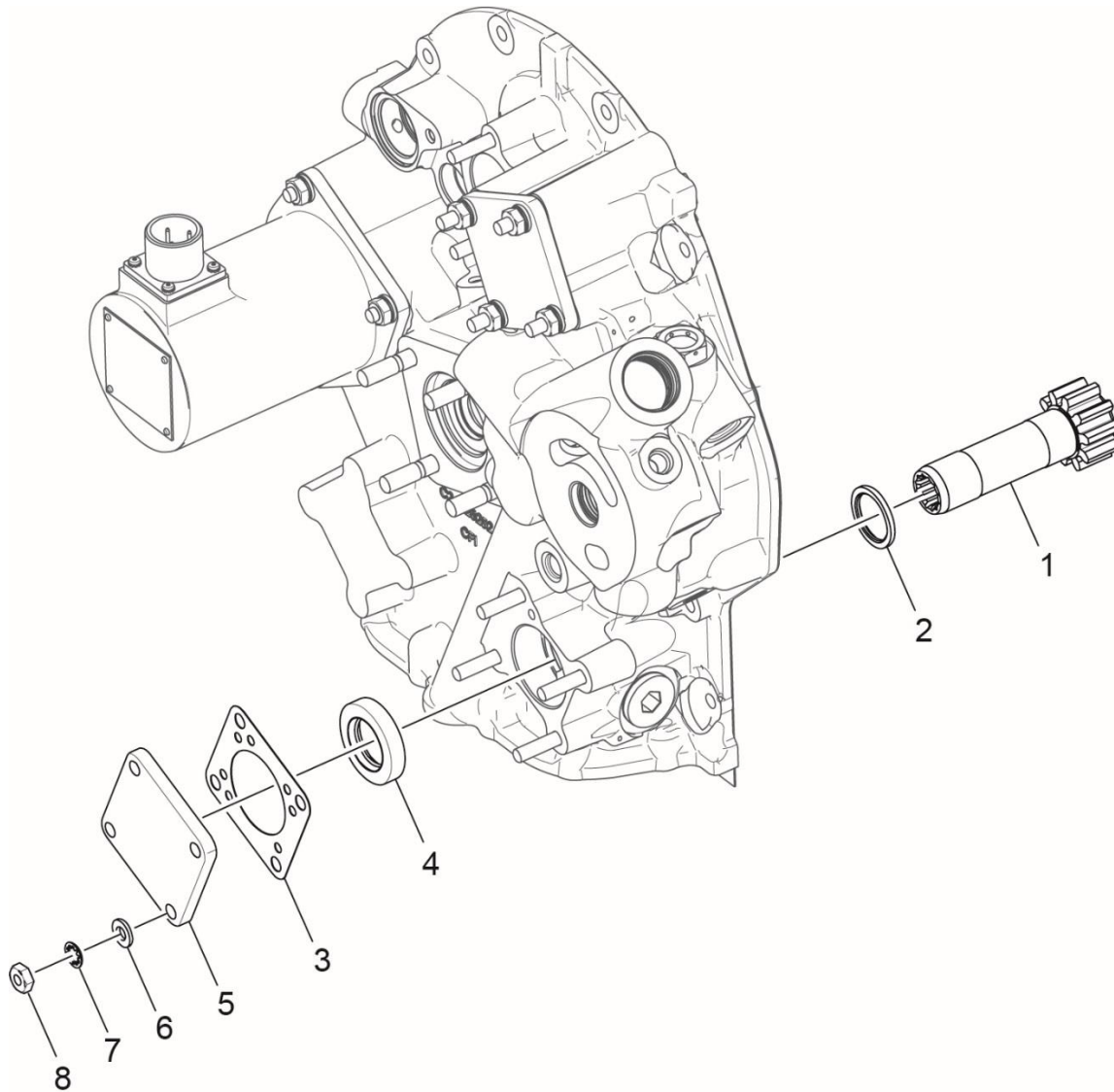
Figure Item	Code	Part Number	Description	Units per Assembly
1		LW-10799	SPACER, Fuel pump, insulating	1
2		69164	GASKET, Fuel pump adapter	2
3		62F26562	ASSEMBLY, Fuel pump	1
4	V	62E23191	FUEL PUMP (V 200F-5007)	1
5		LW-11882	ELBOW, 90° inlet	1
6		02E26278	ADAPTER, Fuel filter and pressure sensor	1
7		LW-11867	ELBOW, 1/8 NPT, intake and exhaust, 90°	1
8		61U26301	FILTER, Fuel pump	1
9		M25988/1-016	O-RING, Fluorosilicone, 39/64 ID X 1/16	1
10		MS20823-4	ELBOW, 1/8 NPT to 1/4 tube	1
11		STD-35	WASHER, 5/16 plain	4
12		STD-475	WASHER, 5/16 lock, internal teeth	4
13		STD-1410	NUT, 5/16-18 plain	4
V Vendor Prime Manufacturer part				



016P, 014BZ
Figure 23
Vacuum Pump Drive and Breather Fitting

ACCESSORY DRIVES
Figure 23 - Vacuum Pump Drive and Breather Fitting

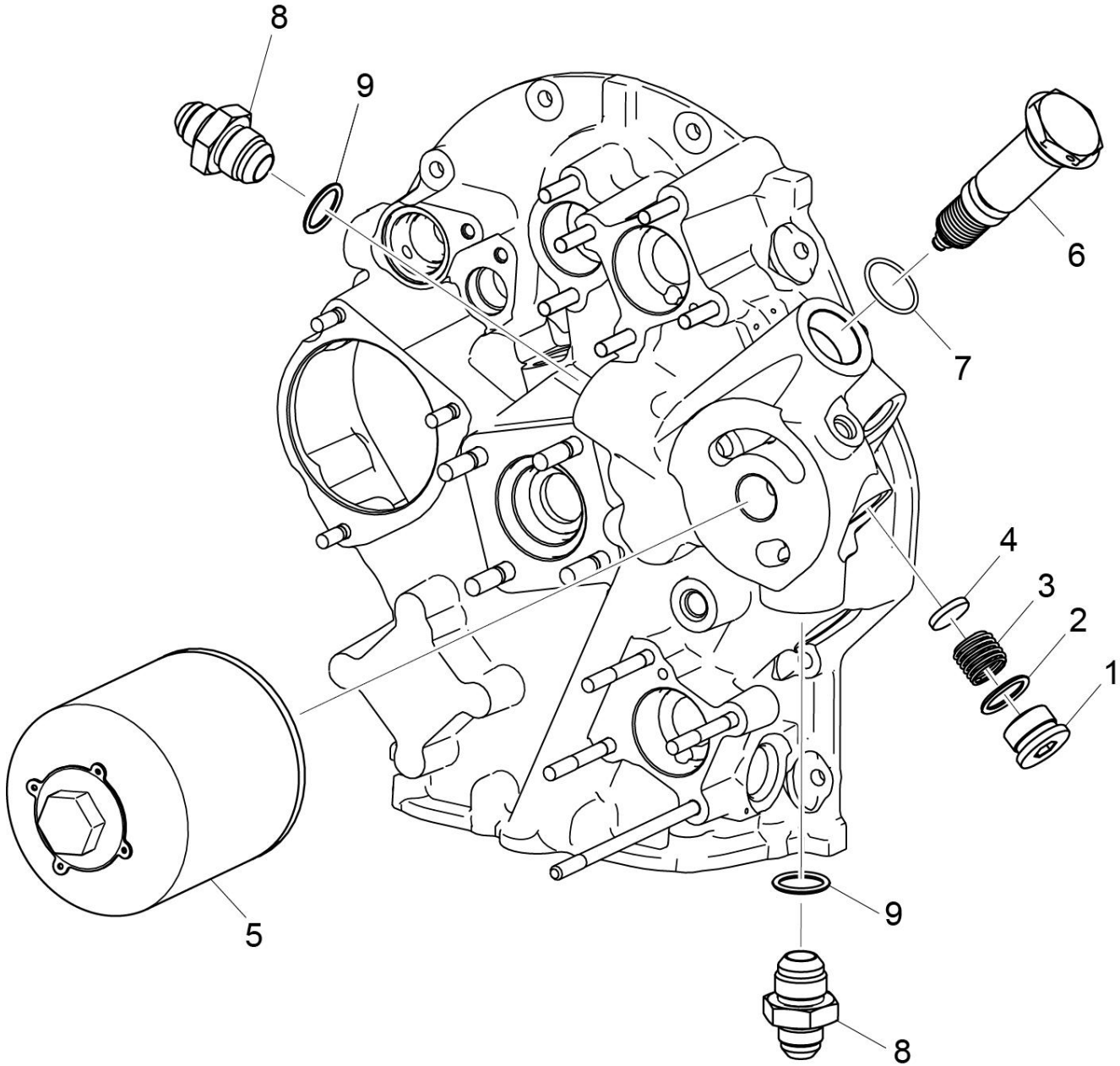
Figure Item	Code	Part Number	Description	Units per Assembly
1		LW-10307	GEAR ASSEMBLY, Accessory driven	1
2		71596	WASHER, Accessory drive gear	1
3		06A19956	OIL SEAL, 7/8 I.D. x 1-1/2 O.D. x 5/16 wide	1
4		8313	GASKET, Vacuum pump	1
5		60430	COVER, Vacuum pump	1
6		STD-8	WASHER, 1/4 plain	4
7		STD-160	WASHER, 1/4 lock, internal teeth	4
8		STD-1411	NUT, 1/4-20 plain	4
9		03D26282	COVER, Breather	1
10		AN844-12D	ELBOW, 3/4 NPT to 3/4 I.D. hose	1
11		STD-8	WASHER, 1/4 plain	2
12		STD-160	WASHER, 1/4 lock, internal teeth	2
13		STD-1411	NUT, 1/4-20 plain	2
14		MS28775-126	O-RING	1



017AB
Figure 24
High Speed Drive

ACCESSORY DRIVES
Figure 24 - High Speed Drive

Figure Item	Code	Part Number	Description	Units per Assembly
1		LW-16448	GEAR ASSEMBLY, Accessory driven	1
2		71596	WASHER, Accessory drive gear	1
3		8313	GASKET, Vacuum pump	1
4		06A19956	OIL SEAL, 7/8 I.D. x 1-1/2 O.D. x 5/16 wide	1
5		60430	COVER, Vacuum pump	1
6		STD-8	WASHER, 1/4 plain	4
7		STD-160	WASHER, 1/4 lock, internal teeth	4
8		STD-1411	NUT, 1/4-20 plain	4



015AE

Figure 25

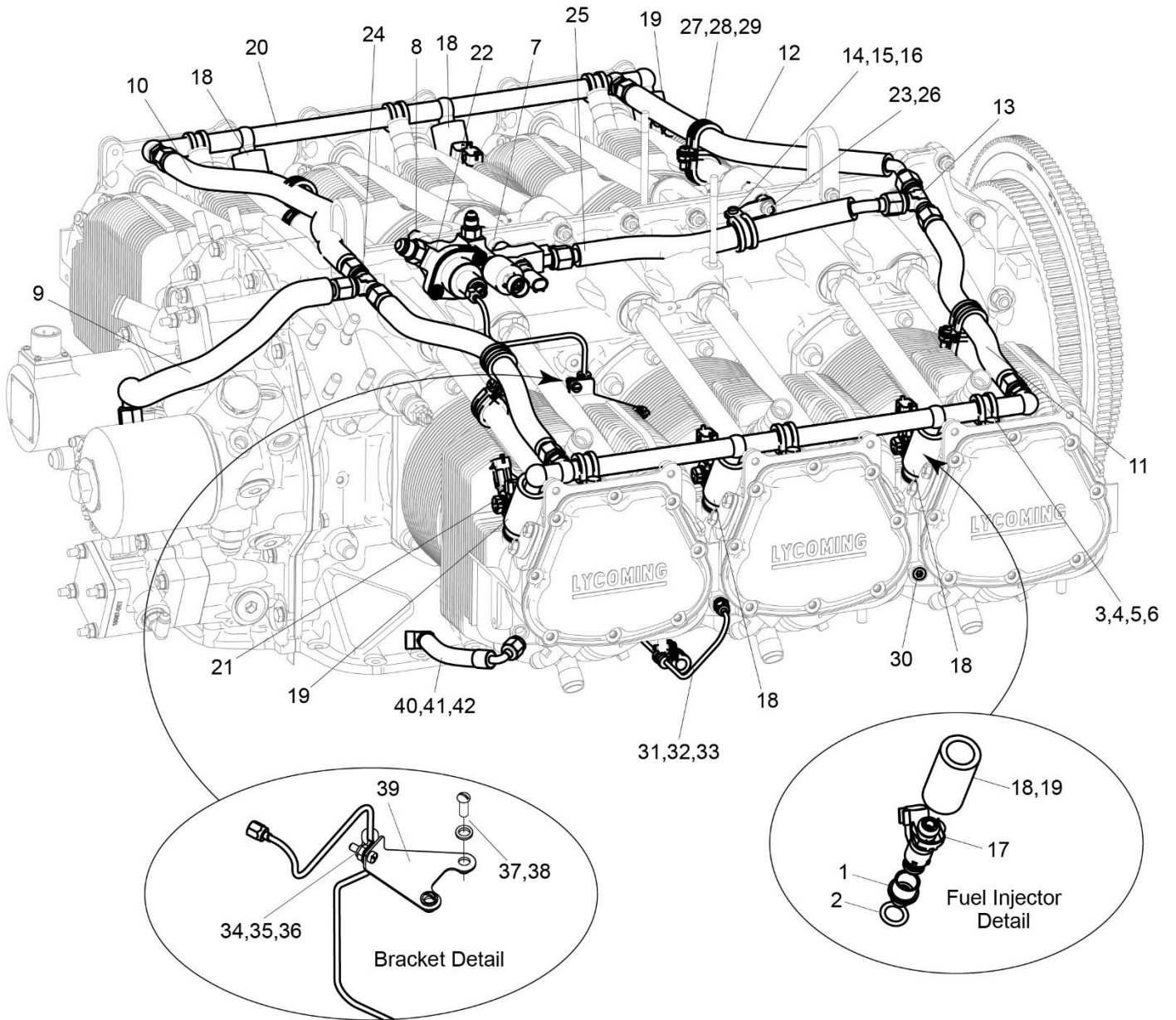
Oil Filter Assembly and Oil Cooler Bypass Valve

ACCESSORY DRIVES

Figure 25 - Oil Filter Assembly and Oil Cooler Bypass Valve

Figure Item	Code	Part Number	Description	Units per Assembly
1		03C21720	PLUG, 7/8-14 thread	1
2		MS29512-10	SEAL, Oil, 3/32 section x 45/64	1
3		55C26775	SPRING	1
4		55H26776	VALVE	1
5	V*	LW-13216	OIL FILTER, Long, V CH48111-1	1
6	♣	53E29909	VALVE ASSEMBLY, Temp. control, oil cooler bypass	1
	♣	53E22144	VALVE ASSEMBLY, Temp. control, oil cooler bypass	1
7		76510	GASKET, Oil Cooler By-Pass Valve	1
8		AN919-15	REDUCER, External, 5/8 flared tube to 1/2	2
9		MS29512-10	SEAL, Oil, 3/32 section x 45/64	2

V Vendor Prime Manufacturer part
***** Shipped loose with engine.
♣ Refer to the latest revision of Service Instruction No. 1585 to install the correct Bypass Valve Assembly for optimum oil temperature



040DG, 062H

Figure 26

Fuel Injector, Fuel Lines, Manifold Assembly, and Pressure Line

FUEL DISTRIBUTION
Figure 26 - Fuel Injector, Fuel Lines, Manifold Assembly, and Pressure Line

Figure Item	Code	Part Number	Description	Units per Assembly
1		02E29797	ADAPTER, Fuel injector	6
2		06E19769-0.50	GASKET, Annular, 1/2 I.D.	6
3		LW-16266-25-63	CLAMP, 5/8 I.D. x 1/4 diameter screw	6
4		STD-160	WASHER, 1/4 lock, internal teeth	6
5		STD-8	WASHER, 1/4 plain	6
6		LW-25-0.63	BOLT, 1/4-20 x 5/8 long, hex. head	6
7		LW-25-2.00	BOLT, 1/4-20 x 2.00 long, hex. head	1
8		LW-25-1.63	BOLT, 1/4-20 x 1-5/8 long, hex. head	1
9		LW-12877-6S110	HOSE ASSEMBLY, 3/8 hose, 90° elbow	1
10		LW-12799-6S180	HOSE ASSEMBLY, 3/8 hose, straight	1
11		LW-12799-6S110	HOSE ASSEMBLY, 3/8 hose, straight	2
12		LW-12879-6S162	HOSE ASSEMBLY, 3/8 hose, 45° elbow	1
13		AN824-6	TEE, 3/8 flared tube	2
14		LW-16266-10-75	CLAMP	1
15		STD-860	SCREW, No. 10-32 x 5/8 long, fill. head	1
16		STD-670	LOCK NUT, No. 10-32	1
17		61X26294-CT	FUEL INJECTOR (Obsolete)	6
	*	61X29461-CT	FUEL INJECTOR (Replacement for P/N 61X26294-CT)	6
18		01M29868	FIRE SLEEVE, Fuel injector (installed on fuel injectors for cylinders 1, 3, 4, and 6)	4
19		01M29869	FIRE SLEEVE, Fuel injector (installed on fuel injectors for cylinders 2 and 5)	2
20		63P26360	RAIL ASSEMBLY, Fuel injector	2
21		LW-31-1.31	BOLT, 5/16-18 x 1-5/16 long, hex. head	6
22		02K29101	MANIFOLD ASSEMBLY, Fuel regulator adapter	1
23		74655	SPACER, Exhaust manifold	1
24		LW-25-1.88	BOLT, 1/4-20 x 1-7/8 long, hex. head	1
25		LW-12879-6S110	HOSE ASSEMBLY, 3/8 hose, 45° elbow	1
26		72815	BRACKET, Support clamp, 90°	1

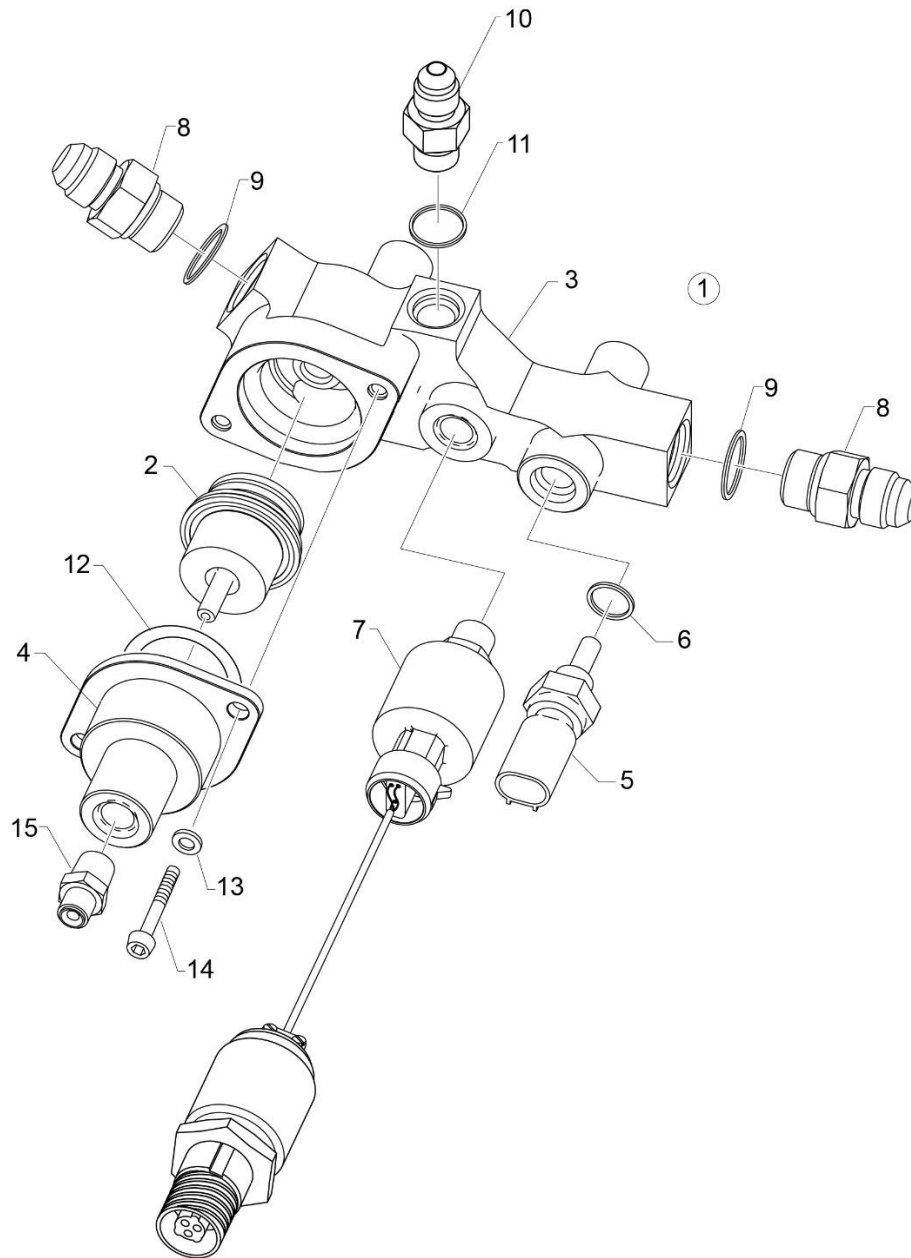
* Refer to the latest revisions of Service Instructions No. 1573 and No. 1582 when replacing fuel injectors part number 61X26294-CT with fuel injectors part number 61X29461-CT.

(continued on next page)

Figure 26 - Fuel Injector, Fuel Lines, Manifold Assembly, and Pressure Line (Cont.)

Figure Item	Code	Part Number	Description	Units per Assembly
27		LW-16266-10-75	CLAMP	8
28		STD-860	SCREW, No. 10-32 x 5/8 long, fill. head	1
29		STD-670	LOCK NUT, No. 10-32	1
30		1102	PLUG, 1/8-27 NPT, Allen head	4
31		02E26306	NIPPLE, Restricted, 1/8 tube	1
32		LW-12098-0-280	TUBE ASSEMBLY, Fuel injector line	1
33		LW-16266-10-38	CLAMP, 3/8 diameter for No. 10 screw	1
34		LW-16266-10-13	CLAMP, 1/8 diameter for No. 10 screw	2
35		STD-860	SCREW, No. 10-32 x 5/8 long, fill. head	4
36		STD-670	LOCK NUT, No. 10-32	4
37		STD-692	SCREW, No. 10-32 x 1/2 long, round head	2
38		STD-425	WASHER, No. 10 plain	2
39		07A28507	BRACKET ASSEMBLY, Fuel line support	1
40		MS20823-4	ELBOW, 1/8 NPT to 1/4 tube	1
41		LW-12798-4S130	HOSE ASSEMBLY, 1/4 hose, straight	1
42		02A19417	ELBOW, 1/4 tube x 1/4 NPT, 90°	1

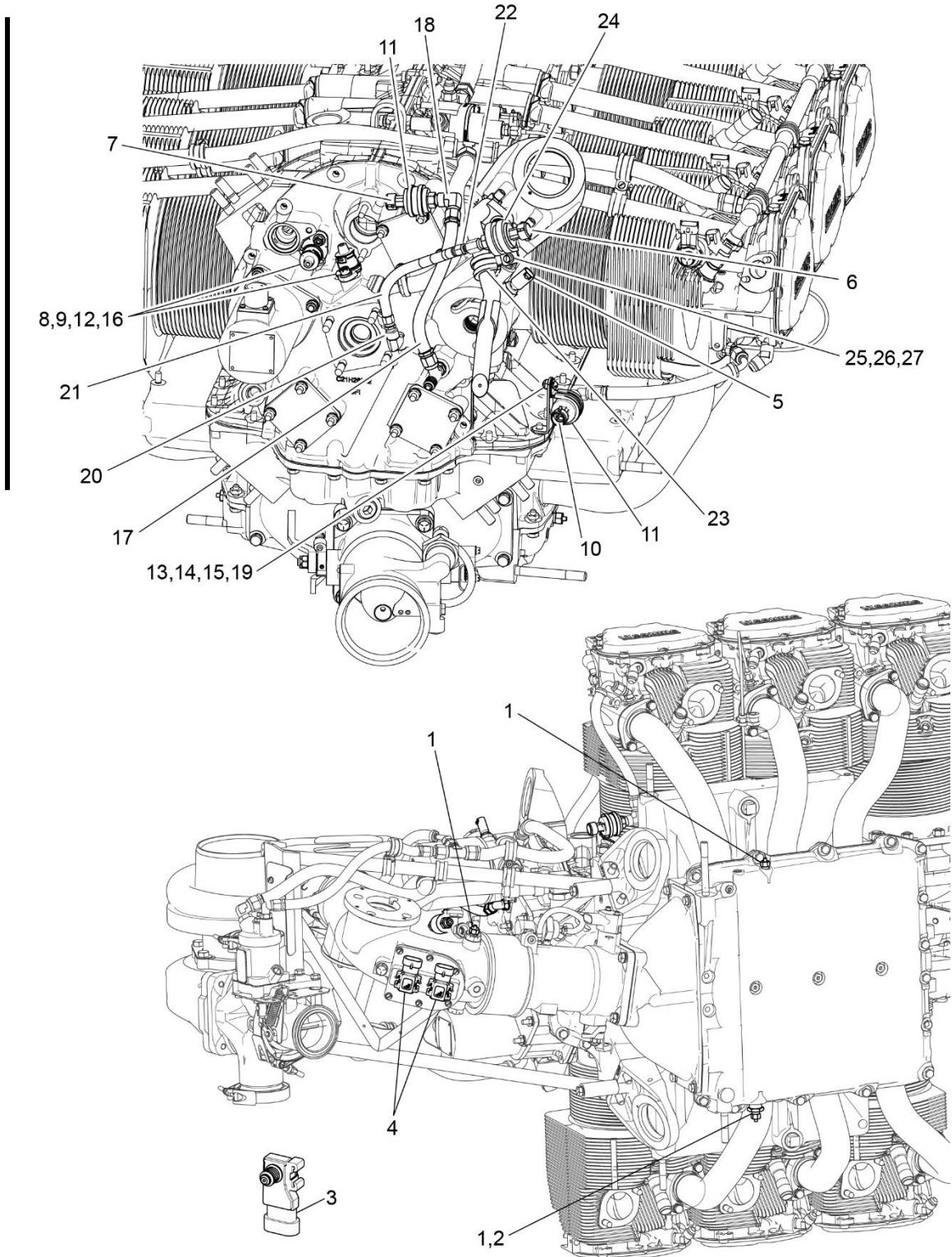
This page intentionally left blank.



040DG
Figure 27
Fuel Pressure Regulator

FUEL CONTROL SYSTEM
Figure 27 – Fuel Pressure Regulator

Figure Item	Code	Part Number	Description	Units per Assembly
1		02K29101	ASSEMBLY, regulator	
2		63K26299-CT	REGULATOR, Fuel pressure	1
3		02K26662	MANIFOLD, Fuel pressure regulator	1
4		02E26641	ADAPTER, Fuel pressure regulator	1
5		60C26310-CT	SENSOR, Temperature	1
6		AS5729-012	O RING, 3/8 ID X 1/16 SECT-	
7		60E29660	SENSOR, Fuel pressure, with lead and connector	1
8		75739	NIPPLE, 3/8 tube, 9/16-18 UNF-2A thread	2
9		MS29512-06	O-RING, 15/32 ID X 1/16 SECT-.	
10		LW-16572	NIPPLE, 1/4 tube, 7/16-20 UNF-2A thread	1
11		MS29512-04	O-RING, 11/32 ID X 1/16 SECT-.	
12		MS29513-028	O-RING, Fuel resistant, 1-23/64 I.D. x 1/16 thick	1
13		NAS1149E0332P	WASHER, No. 10, flat, 1/32 thick	2
14		NAS1352C3H10	SCREW, No. 10-64 x 5/8 long, drilled head	2
15		STD-148	NIPPLE, 1/8 tube, union	1

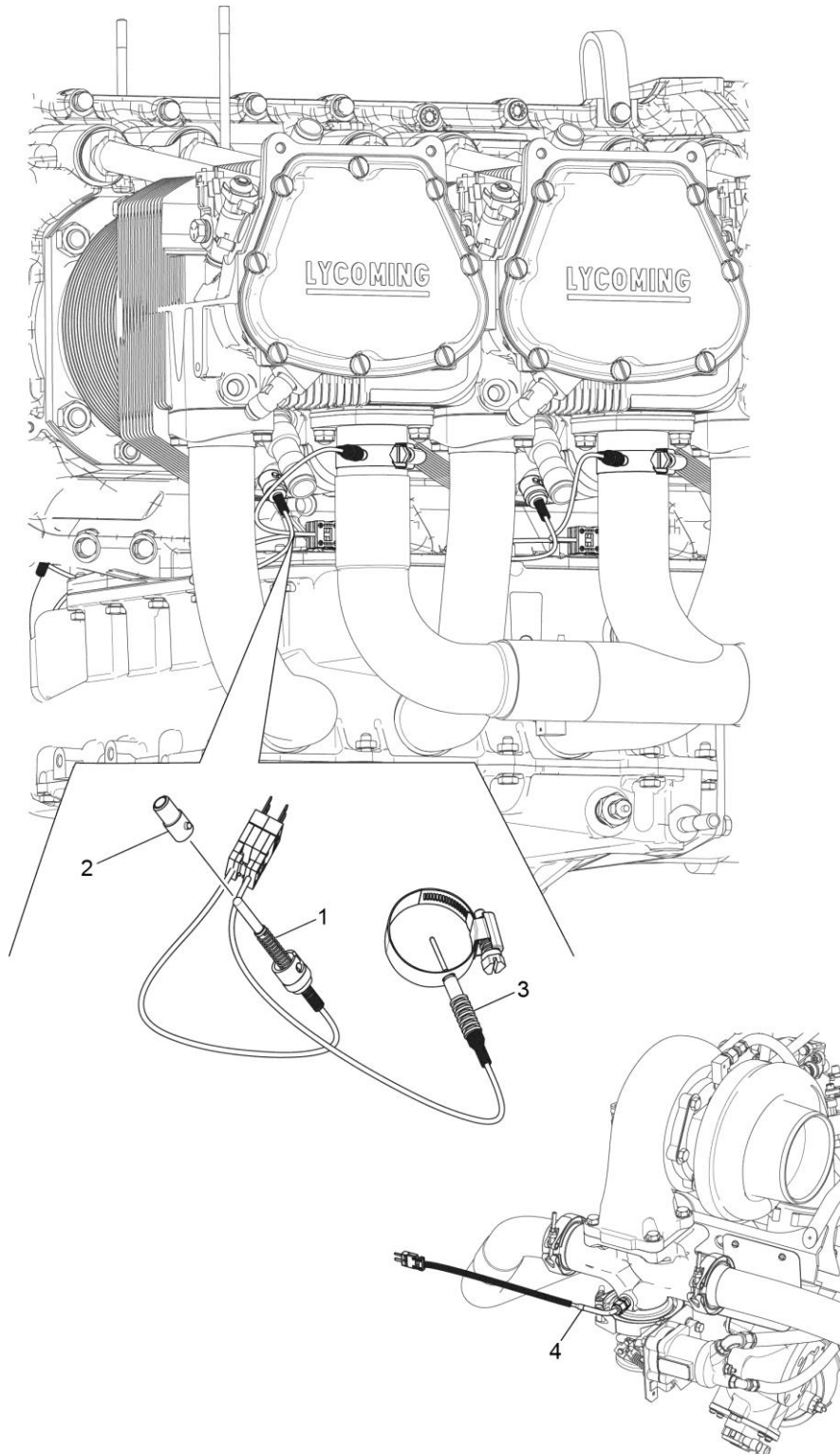


150H
Figure 28
Sensors (Accessory Housing View)

IGNITION DISTRIBUTION
Figure 28 - Sensors (Accessory Housing View)

Figure Item	Code	Part Number	Description	Units per Assembly
1		60C28409	SENSOR, Air temperature	3
2		AN912-3D	BUSHING, Reducer, 3/8 NPT	1
3	*	60E29474-CT	SENSOR, Pressure, 1 bar	2
4		60E29475-CT	SENSOR, Pressure, 2 bar	2
5		60C26310-CT	SENSOR, Temperature	1
6		60E29660	SENSOR, Fuel pressure, with lead and connector	1
7		60E29661	SENSOR, Oil pressure, with lead and connector	1
8		60D26318-CT	SENSOR, Cam and crank	2
9		AS3209-017	O-RING, 0.667- 0.685 I.D.	2
10		60E29662	SENSOR, Air pressure, with lead and connector	1
11		LW-16266-25-1.00	CLAMP, 1.00 diameter for 1/4 screw	2
12		NAS1352C4H10	SCREW, Socket head cap, 1/4-20 x 5/8 long, corrosion resistant, drilled head	2
13		STD-692	SCREW, No. 10-32 x 1/2 long, round head	1
14		STD-670	LOCK NUT, No. 10-32	1
15		07A28331	BRACKET, Extension	1
16		STD-8	WASHER, 1/4 plain	2
17		LW-12798-4S074	HOSE ASSEMBLY, 1/4 hose, straight	1
18		02A19417	ELBOW, 1/4 tube x 1/8 NPT, 90°	1
19		STD-425	WASHER, No. 10 plain	1
20		AN816-4	NIPPLE, 1/8 NPT to 1/4 tube	1
21		LW-12798-4S044	HOSE ASSEMBLY, 1/4 hose, straight	1
22		02A28863	FITTING, Reducer, 1/2 male hose to 1/8 NPT female	1
23		LW-16266-10-75	CLAMP, 3/4 I.D. x No. 10 screw	1
24		LW-16266-25-1.00	CLAMP, 1.00 diameter for 1/4 screw	1
25		STD-692	SCREW, No. 10-32 x 1/2 long, round head	1
26		STD-670	LOCKNUT, No. 10-32	1
27		STD-425	WASHER, No. 10 plain	1

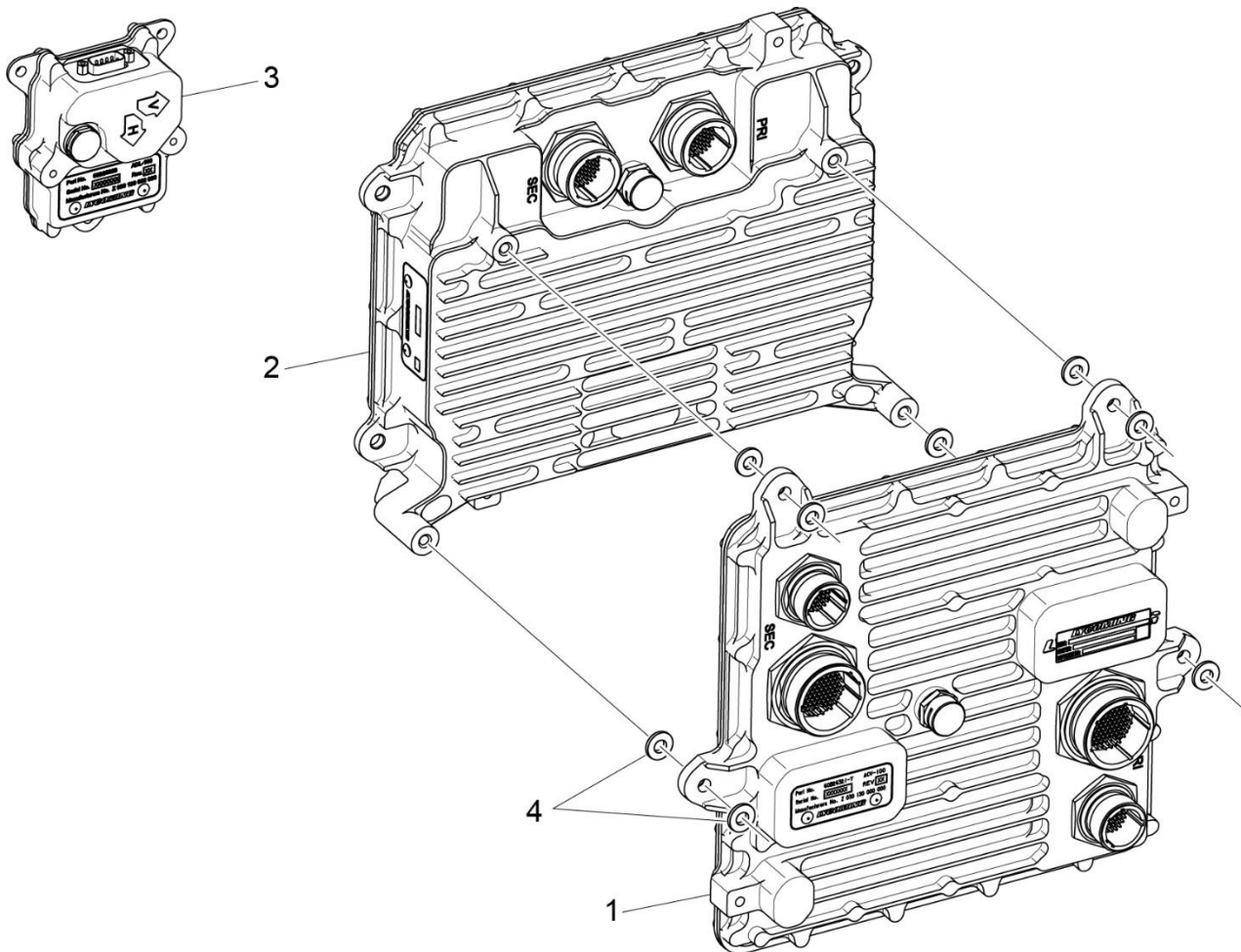
* Shipped loose with engine



150H
Figure 29
Sensors (Rear Left View)

IGNITION DISTRIBUTION
Figure 29 - Sensors (Rear Left View)

Figure Item	Code	Part Number	Description	Units per Assembly
1		60C26313	SENSOR, Cylinder head temperature (same on all cylinders)	6
2		AN4076-1	FITTING, Temperature measuring element	6
3		60C26314	SENSOR, Exhaust gas temperature	6
4		60C26763	SENSOR, Turbine inlet temperature	1



170D

Figure 30

Engine Control Unit, Power Box, and Data Logger

IGNITION DISTRIBUTION
Figure 30 - Engine Control Unit, Power Box, and Data Logger

Figure Item	Code	Part Number	Description	Units per Assembly
1	* ♦	60B29705	ECU ASSEMBLY, Tecnam	1
	* ♦	60B29659	ECU ASSEMBLY, Tecnam	1
	* ♦	60B29726	ECU ASSEMBLY, Tecnam	1
2	*	60B26322	POWER BOX	1
3	*	60B29079	DLU ASSEMBLY FOR IE2 (DATA LOGGER) (Replaced by 60B29462)	1
	*	60B29462	DLU ASSEMBLY FOR IE2 (DATA LOGGER)	1
4		01L29970	WASHER, Insulating, ECU Mounting	8
<p>* Shipped loose with engine ♦ Refer to the latest revision of Service Instruction No. 1573 for ECU Part Numbers, Solenoid Valve Part Numbers, Fuel Injector Part Numbers, and Calibration Tables that must be used together</p>				

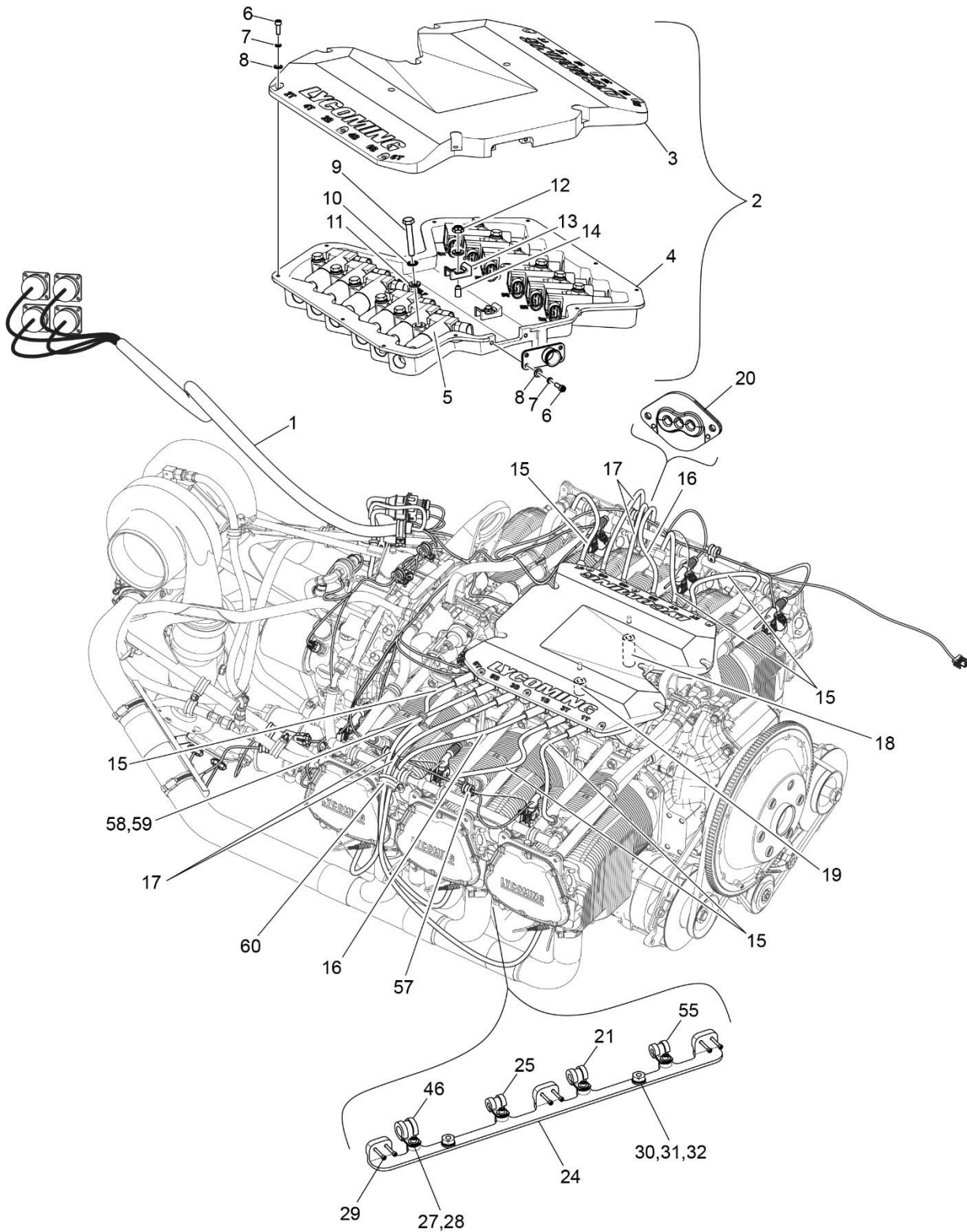
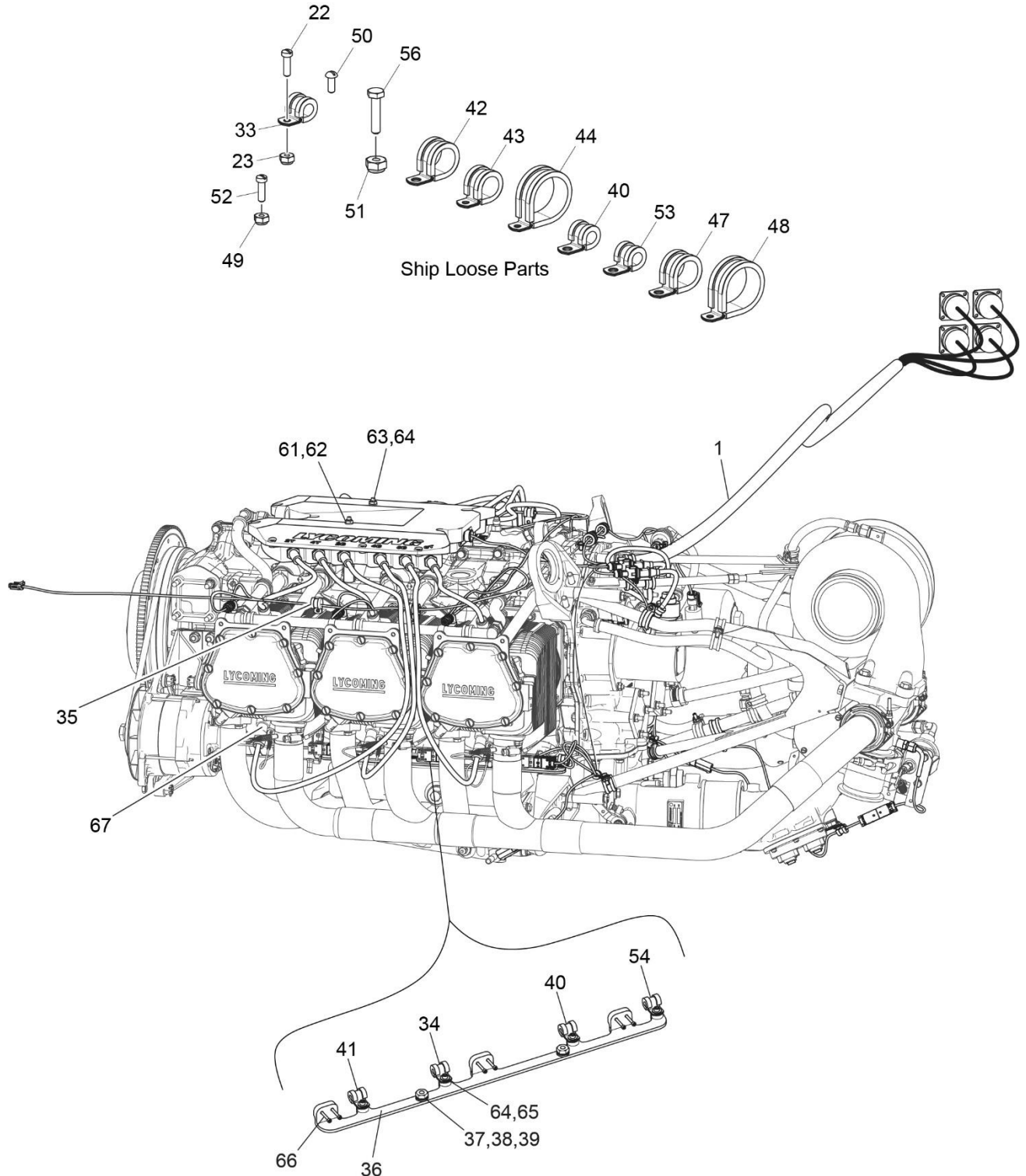


Figure 31A
EEC Harness, Coil Box, and Spark Plugs (Right Side)



160K
Figure 31B
EEC Harness, Coil Box, and Spark Plugs (Top Left Front)

IGNITION DISTRIBUTION
Figure 31A, B - EEC Harness, Coil Box, and Spark Plugs

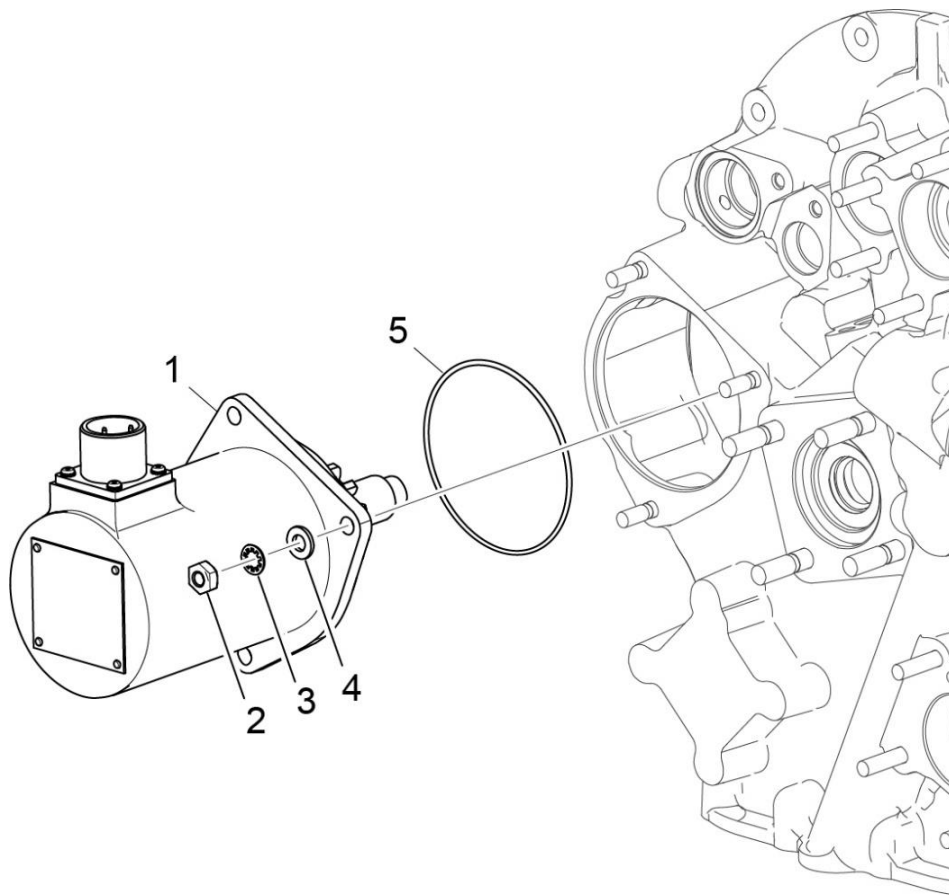
Figure Item	Code	Part Number	Description	Units per Assembly
1		60A29063	WIRING HARNESS	1
2		60B28333	COIL BOX ASSEMBLY	1
3		60B26779	COIL BOX, Lid, 6 cylinder	1
4		60B26778	COIL BOX, Base	1
5		60B26349	IGNITION COIL ASSEMBLY	12
6		NAS1352-08-8	SCREW, Socket head cap, 8-32 x 1/2 long	15
7		STD-250	WASHER, No. 8, spring lock	15
8		STD-249	WASHER, No. 8 plain	15
9		LW-25-1.63	BOLT, 1/4-20 x 1-5/8 long, hex. head	12
10		STD-160	WASHER, 1/4 lock, internal teeth	12
11		STD-8	WASHER, 1/4 plain	14
12		STD-2079	NUT, 1/4-20 UNC	2
		01B31661-251	LOCKNUT-Prevailing torque, 1/4-20 UNC-2B, Thin	2
13		STD-2254	MOUNT, Cable Tie	2
14		NASM24693-S95	SCREW, Flat countersunk head 1/4-20 x 5/8	2
15		67W26289-101	LEAD, High tension spark plug, CH1K012-DS-1	6
16		67W26289-330	LEAD, High tension spark plug	2
17		67W26289-250	LEAD, High tension spark plug CH1K012-DS-2	4
18		01L26374	SPACER, Coil box	1
19		01L26373	SPACER, Coil box	1
20	*	LW-M-2376	PLATES, Spark plug cable, 3 wire	2
21		LW-16266-10-31	CLAMP, 5/16 diameter for No. 10 screw	1
22	*	STD-860	SCREW, No. 10-32 x 5/8 long	1
23	*	STD-670	LOCK NUT, No. 10-32	1
24		07A28334	BRACKET, Wire harness, right hand	1
25		LW-16266-10-25	CLAMP, 1/4 I.D. for No. 10 screw, cushion	2
26		LW-16266-10-31	CLAMP, 5/16 diameter for No. 10 screw	1
27		STD-243	WASHER, No. 6 plain	3
28		NAS1352-06-6	SCREW, Socket head cap, 6-32 x 3/8 long	3
29		NAS1352-03-14	SCREW, Socket head cap, 3-48 x 7/8 long	6
30		STD-8	WASHER, 1/4 plain	2
31		STD-160	WASHER, 1/4 lock, internal teeth	2
32		STD-1411	NUT, 1/4-20 plain	2
33		LW-16266-10-25	CLAMP, 1/4 I.D. for No. 10 screw, cushion	1
34		LW-16266-10-38	CLAMP, 3/8 dia. for No. 10 screw	1

* Shipped loose with engine

(continued on next page)

Figure 31A, B - EEC Harness, Coil Box, and Spark Plugs (Cont.)

Figure Item	Code	Part Number	Description	Units per Assembly
35		LW-16266-10-31	CLAMP, 5/16 diameter for No. 10 screw	2
36		07A28335	BRACKET, Wire harness, left hand	1
37		STD-8	WASHER, 1/4 plain	2
38		STD-160	WASHER, 1/4 lock, internal teeth	2
39		STD-1411	NUT, 1/4-20 plain	2
40		LW-16266-10-25	CLAMP, 1/4 I.D. for No. 10 screw, cushion	1
41	**	LW-16266-10-38	CLAMP, 3/8 dia. for No. 10 screw	8
42	*	LW-16266-10-1.25	CLAMP, 1/4 I.D. for No. 10 screw, cushion	4
43	*	LW-16266-10-50	CLAMP, 1/2 dia. for No. 10 screw	2
44		LW-16266-10-63	CLAMP, 5/8 I.D. for No. 10 screw	6
45	*	LW-16266-10-88	CLAMP	3
46		LW-16266-25-44	CLAMP, 7/16 I.D. x 1/4 dia. screw	1
47		LW-16266-25-50	CLAMP	1
48		LW-16266-25-75	CLAMP, 3/4 I.D. x 1/4 dia. screw	1
49		STD-670	LOCK NUT, No. 10-32	6
50		STD-692	SCREW, No. 10-32 x 1/2 long, round head	6
51	*	STD-670	LOCK NUT, No. 10-32	5
52	*	STD-860	SCREW, NO. 10-32 x 5/8 long fill. head	5
53		LW-16266-25-38	CLAMP, 3/8 I.D. x 1/4 dia. screw	1
54		LW-16266-10-1.25	CLAMP, 1/4 I.D. for No. 10 screw, cushion	1
55		LW-16266-10-50	CLAMP, 1/2 dia. for No. 10 screw	1
56		STD-860	SCREW, NO. 10-32 x 5/8 long fill. head	1
57		STD-670	LOCK NUT, No. 10-32	1
58		LW-16266-10-75	CLAMP, 3/4 dia. for No. 10 screw	5
59		LW-16266-10-63	CLAMP, 5/8 I.D. for No. 10 screw	1
60		LW-16266-10-31	CLAMP, 5/16 diameter for No. 10 screw	2
61		STD-2079	NUT, 1/4-20 UNC	2
		01B31661-251	LOCKNUT-Prevailing torque, 1/4-20 UNC-2B, Thin	2
62		STD-8	WASHER, 1/4 plain	2
63		STD-670	LOCK NUT, No. 10-32	2
64		STD-243	WASHER, No. 6 plain	3
65		NAS1352-06-6	SCREW, Socket head cap 6-32 x 3/8 long	3
66		NAS1352-03-14	SCREW, Socket head cap, 3-48 x 7/8 long	6
67	***	1182-Q4	SPARK PLUG, URHB37E	12
<p>* Shipped loose with the engine ** Two of the clamps P/N LW-16266-10-38 are shipped loose with the engine. *** Refer to the latest revision of Service Instruction No. 1042 for approved spark plugs</p>				



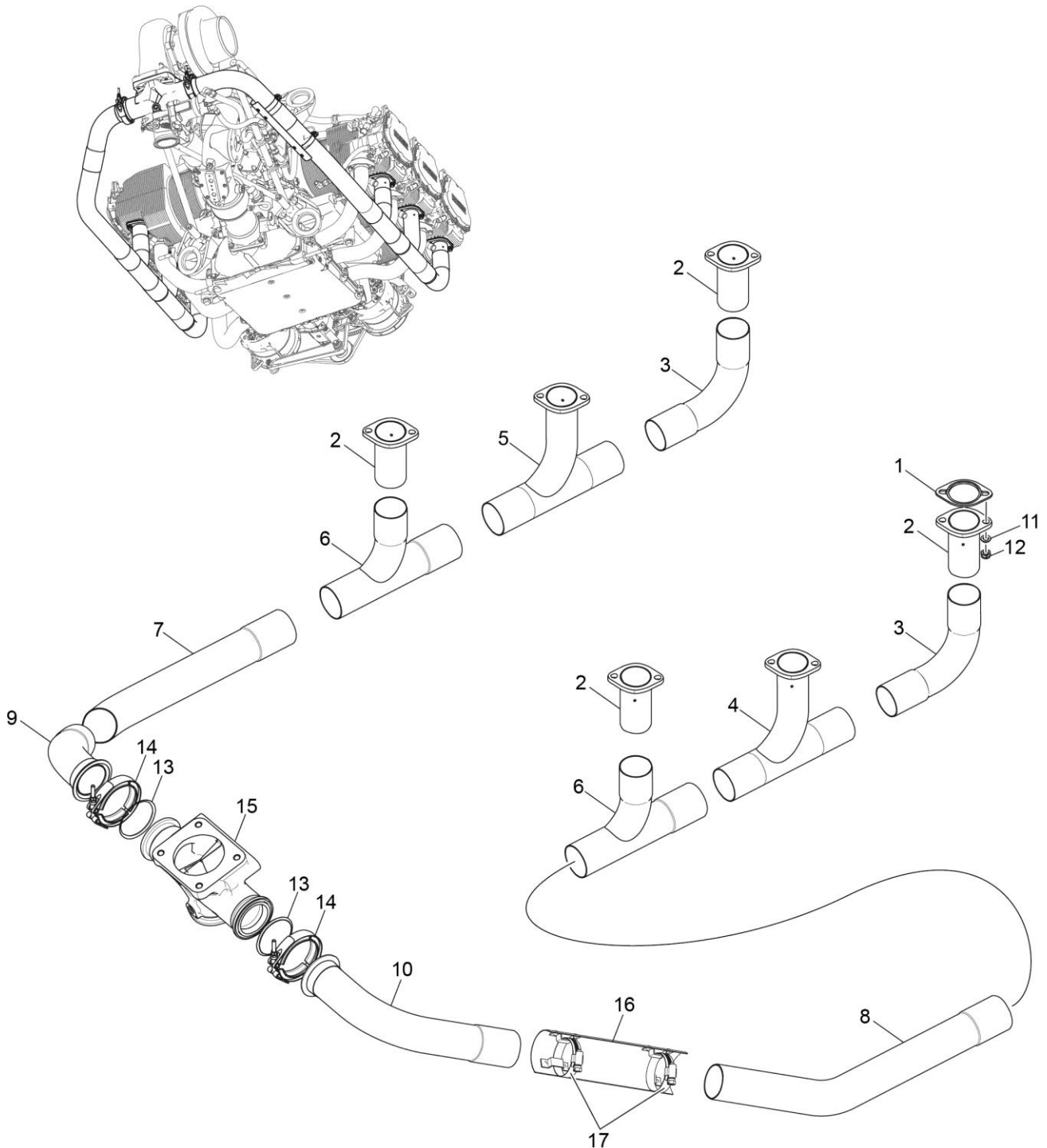
130

Figure 32

Permanent Magnet Alternator

IGNITION DISTRIBUTION
Figure 32 – Permanent Magnet Alternator

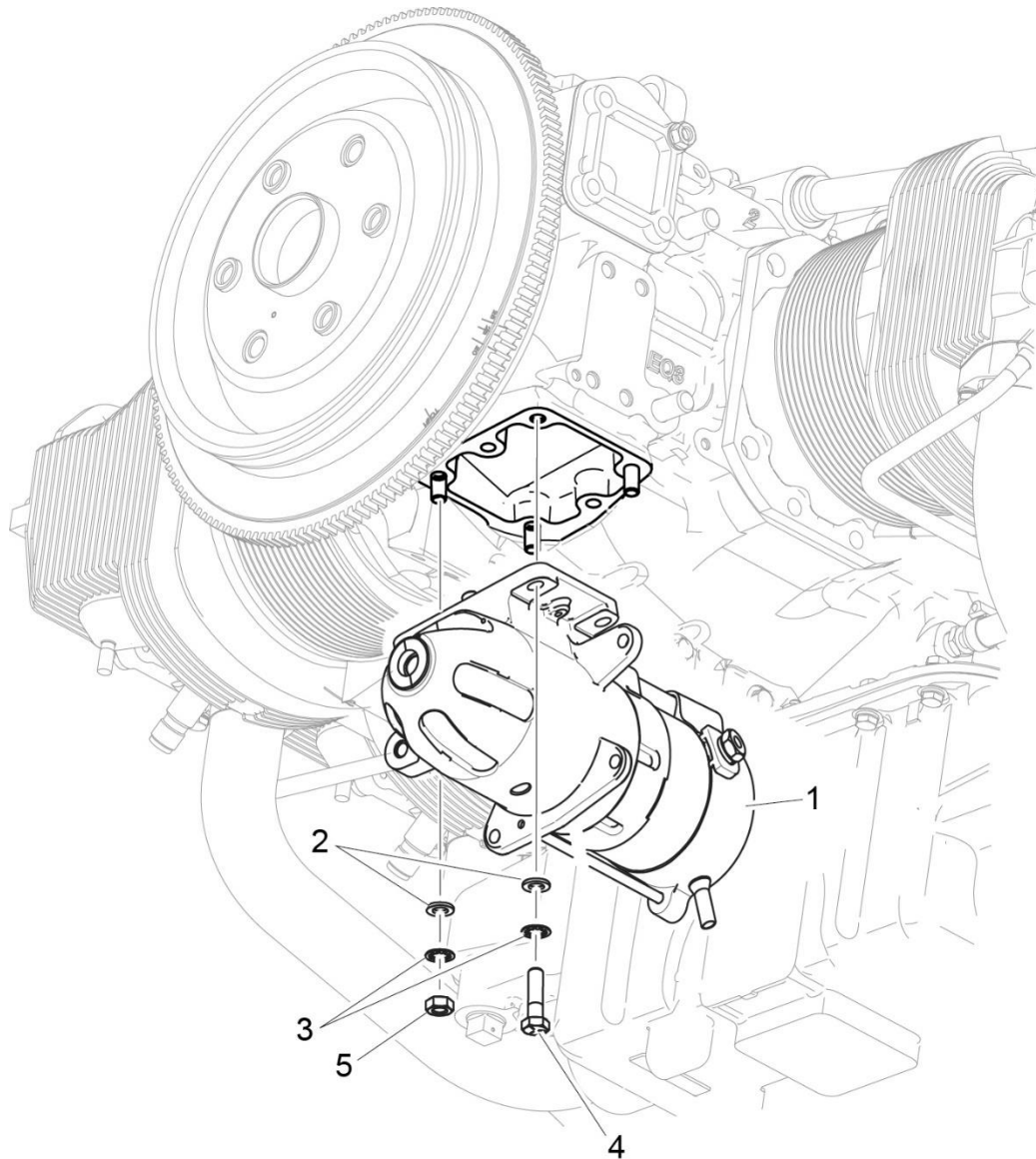
Figure Item	Code	Part Number	Description	Units per Assembly
1		32T23324	ALTERNATOR, Permanent magnet	1
2		STD-1411	NUT, 1/4-20 plain	3
3		STD-160	WASHER, 1/4 lock, internal teeth	3
4		STD-8	WASHER, 1/4 plain	3
5		AS3209-151	O-RING, 0.103 x 2.987 Viton	1



051BB
Figure 33
Exhaust Crossover Pipes and Transition Assembly

EXHAUST SYSTEM
Figure 33 - Exhaust Crossover Pipes and Transition Assembly

Figure Item	Code	Part Number	Description	Units per Assembly
1		77611	GASKET, Exhaust flange	6
2		40G28371	ADAPTER, Exhaust pipe, cylinders No. 1,2,5,6	4
3		40B19844	PIPE, Exhaust, cylinder No. 1	2
4		40B28372	PIPE, Exhaust, cylinder No. 3	1
5		40B28373	PIPE, Exhaust, cylinder No. 4	1
6		40B26922	PIPE, Exhaust, cylinders No. 5 and 6	2
7		40B26923	PIPE, Exhaust, rear intermediate left	1
8		40B26924	PIPE, Exhaust, rear intermediate right	1
9		LW-16790	PIPE, Exhaust, left rear	1
10		LW-16620	PIPE, Exhaust, right	1
11		AN960C516	WASHER, 5/16 plain	12
12		STD-2233	LOCK NUT, 5/16-18 hex. head	12
13		78083	GASKET, V-band coupling, 2.00 O.D. tube	2
14		LW-12093-5	COUPLING, V-band-2.00 O.D. tube	2
15		LW-12437	TRANSITION, Turbocharger	1
		*47C29976	TRANSITION, Turbocharger	1
16		LW-16406	HEAT SHIELD	1
17		LW-15592-8-28	CLAMP, Hose	2
* Transition part number 47C29976 supersedes part number LW-12437				



034BF
Figure 34
Starter Motor and Attaching Parts

CRANKING

Figure 34 - Starter Motor and Attaching Parts

Figure Item	Code	Part Number	Description	Units per Assembly
1	V	31B26554	STARTER, 24V., 12/14 pitch, 149NL/EC	1
2		STD-35	WASHER, 5/16 plain	4
3		STD-475	WASHER, 5/16 lock, internal teeth	4
4		LW-31-1.16	BOLT, 5/16-18 x 1-5/32 long, hex. head	1
5		STD-1410	NUT, 5/16-18 plain	3

V Vendor Prime Manufacturer part

NOTICE: Refer to the latest revision of Service Instruction No. 1154 for complete listing of FAA approved starters.

This page intentionally left blank.

Service Kit Section

Seal and Gasket Set

PART NO.	PART NAME	Qty.
05K29134	KIT - SEAL AND GASKET SET	1
LW-15628	SEAL-CRANKSHAFT-OIL	1
72091	RING-OIL SEAL-.36ID X.10 DIA	2
06E19769-1.25	GASKET-ANNULAR-1.250 ID	1
70455	GASKET-.78 ID X 1.13 OD X .030	1
72053	GASKET-GOVERNOR	1
72378	COVER-GOVERNOR DRIVE	1
06B26276	GASKET - ACCESSORY HOUSING	1
MS29512-10	SEAL OIL-.097 SECTION X .706 I	2
06A26277	SEAL - FUEL PUMP .750 ID X 1.375 OD X .312 THK	1
MS29512-06	O RING-.468 ID X .078 SECT.-.	1
MS28775-126	O-RING - 1.362 NOM ID X .103 NOM WIDTH	1
MS29512-10	SEAL OIL-.097 SECTION X .706 I	1
MS29512-10	SEAL OIL-.097 SECTION X .706 I	2
06A19956	OIL SEAL-.875ID X 1.50 OD X.31	1
8313	GASKET-VACUUM PUMP	1
06A19956	OIL SEAL-.875ID X 1.50 OD X.31	1
8313	GASKET-VACUUM PUMP	1
06B21326	GASKET-OIL SUMP	1
06E19769-0.91	GASKET-ANNULAR-.906 ID	1
72210	GASKET-AIR THROTTLE HOUSING	1
06E19769-1.00	GASKET-ANNULAR-1.000 ID	1
71481	RING-OIL SEAL-.09 DIA X 4.84ID	6
LW-18661	SEAL-SHROUD TUBE	24
66732	GASKET-VALVE ROCKER SHAFT COVR	12
06B26811	GASKET - ROCKER BOX COVER (SILICONE)	6
72711	RING-SEAL-INTAKE PIPES	6
71973	GASKET-2 BOLT FLANGE-1.81 ID	6
69164	GASKET-FUEL PUMP ADAPTER	2
73032	GASKET-AIR INLET HOUSING	1
06E19769-0.50	GASKET-ANNULAR-.500 ID	6
MS29513C-028	O-RING - FUEL RESISTANT - 1.364 ID X .070 W	1
77611	GASKET-EXHAUST FLANGE	6
78083	GASKET-V BAND COUPLING-2.00 OD	2
75845	GASKET-V BAND COUPLING-2.25	1

Service Kit Section (Cont.)

Seal and Gasket Set (Cont.)

05K29134	KIT - SEAL AND GASKET SET (CONT.)	1
MS29512-06	O RING-.468 ID X .078 SECT-.	2
MS29512-03	O RING-.301 ID X .064 SECT-.	1
77723	GASKET-TURBOCHARGE BY-PASS	1
73314	GASKET-DENSITY & DIFFERENTIAL	2
75371	GASKET-TURBO OIL INLET ADAPTER	1
78903	GASKET-TURBO OIL DRAIN	1
MS29512-10	SEAL OIL-.097 SECTION X .706 I	1
MS29512-06	O RING-.468 ID X .078 SECT-.	1
MS28775-018	O-RING	1
MS28775-021	O-RING	1
70457	GASKET-OIL FILLER EXTENSION	1
74065	RING-OIL LEVEL GAGE SEAL	1
MS28775-015	O RING-.551 ID X .07 DIA	1
06A23493	SEAL, Shroud tube	8

Single Cylinder Seal and Gasket Set

05K31587	KIT - SEAL & GASKET FOR 1 CYL	1
06C29879-CT	O-RING - FUEL INJECTOR, UPPER	1
06C29878-CT	O-RING - FUEL INJECTOR, LOWER	1
06C29094-CT	KIT - O-RING - FUEL INJECTOR	1
06E19769-0.50	GASKET-ANNULAR-.500 ID	1
STD-475	WASHER-.3125 LOCK-INT. TEETH	1
STD-160	WASHER-.250 LOCK INT.TEETH	9
66732	GASKET-VALVE ROCKER SHAFT COVR	2
06B26811	GASKET - ROCKER BOX COVER (SILICONE)	1
71481	RING-OIL SEAL-.09 DIA X 4.84ID	1
72711	RING-SEAL-INTAKE PIPES	1
STD-2233	LOCKNUT-.3125-18 HEX	2
77611	GASKET-EXHAUST FLANGE	1
LW-18661	SEAL-SHROUD TUBE	4
STD-2180	HOSE-.38 ID X 1.88 LONG	2

Service Kit Section (Cont.)

Cylinder, Piston and Ring Assembly

PART NO.	PART NAME	Qty.
05K26774	KIT - CYLINDER, PISTON AND RING ASSEMBLY	1
14D23907	PISTON - COMPRESSION RATIO 7.30:1	1
74241	RING-PISTON-COMP-5.125 BORE	2
14H29889	RING-PISTON-OIL-5.125 BORE	1
LW-14078	PIN-PISTON	1
72198	PLUG-PISTON PIN	2
66732	GASKET-VALVE ROCKER SHAFT COVR	2
06B26811	GASKET - ROCKER BOX COVER (SILICONE)	1
LW-18661	SEAL-SHROUD TUBE	4
71481	RING-OIL SEAL-.09 DIA X 4.84ID	1
SSP-299	TAG: USE OF PISTON PIN PLUGS	1
71195	CONTAINER	1
77611	GASKET-EXHAUST FLANGE	1
71973	GASKET-2 BOLT FLANGE-1.81 ID	1
AV951391	PACKING, PRE-FORMED	2
16G26682-01	CYLINDER HEAD AND VALVE ASSY	1
16A30200-0101	CYLINDER HEAD AND VALVE ASSY, Nitrided (Approved alternate for P/N 16G26682-01)	1
06A23493	SEAL-SHROUD TUBE	2
1102	PLUG-.125 PIPE	2
06E19769-0.50	GASKET-ANNULAR-.500 ID	1
SSP-115	STICKER	1

Piston Ring Kit

PART NO.	PART NAME	Qty.
05K22037	KIT - PISTON RING	1
74241	RING-PISTON-COMP-5.125 BORE	2
14H29889	RING, PISTON, OIL REGULATING, EXPANDER TYPE	1

This page intentionally left blank

NUMERICAL INDEX

PART NO.	PART NAME	PAGE NO.	PART NO.	PART NAME	PAGE NO.
01B31661-251	LOCKNUT	68	06E19769-0.50	GASKET	55
01B31661-251	LOCKNUT	69	06E19769-0.91	GASKET	41
01C26131	BOLT	11	06E19769-1.00	GASKET	27
01L21418	WASHER	5	06E19769-1.25	GASKET	9
01L26373	SPACER	68	07A21156	BRACKET	1
01L26374	SPACER	68	07A26130	BRACKET	1
01L26665	SPACER	11	07A28331	BRACKET	61
01L29970	WASHER	65	07A28334	BRACKET	68
01M29868	FIRE SLEEVE	55	07A28335	BRACKET	69
01M29869	FIRE SLEEVE	55	07A28507	BRACKET ASSY	56
02A19417	ELBOW	56	07C26303	HOLD DOWN	35
02A19417	ELBOW	61	07C26344-CT	CLAMP	37
02E26278	ADAPTER	47	07C29900	CLAMP	35
02E26306	NIPPLE	56	07E29522	SUPPORT ASSY	29
02E26641	ADAPTER	59	07F21160	STRUT	1
02E29797	ADAPTER	19	07F28508	LINK	1
02E29797	ADAPTER	55	1028-B	BALL	9
02K26662	MANIFOLD	59	1102	PLUG	7
02K29101	MANIFOLD ASSY	55	1102	PLUG	35
02K29101	REGULATOR	59	1102	PLUG	41
02L26305	VALVE	31	1102	PLUG	43
02L29677	VALVE	31	1102	PLUG	56
02M26336	HOSE	37	1182-Q4	SPARK PLUG	69
03A29095-CT	RETAINER	19	11F24028-E3	C'CASE ASSY	7
03C21720	PLUG	43	12A19770	BRACKET	39
03C21720	PLUG	53	13F47735	C'SHAFT ASSY	11
03D26282	COVER	49	14D23907	PISTON	17
03D29691	COVER	35	14H29889	RING	17
05K23463	IMPELLER KIT	45	15B21319	SOCKET	21
06A19956	OIL SEAL	49	15B26066	PLUNGER ASSY	21
06A19956	OIL SEAL	51	15B26262	BODY	9
06A26277	SEAL	43	15F28835-52	ROD ASSEMBLY	22
06B21326	GASKET	41	15F28835-53	ROD ASSEMBLY	22
06B26276	GASKET	43	15F28835-54	ROD ASSEMBLY	22
06B26811	GASKET	25	15F28835-55	ROD ASSEMBLY	22
06C29094-CT	KIT	19	15F28835-56	ROD ASSEMBLY	22
06E19769-0.50	GASKET	19	15F28835-57	ROD ASSEMBLY	22

PART NO.	PART NAME	PAGE NO.	PART NO.	PART NAME	PAGE NO.
15F28835-58	ROD ASSEMBLY	22	31C-14	STUD	43
15F28864-18	ROD ASSEMBLY	22	31C-17	STUD	7
15F28864-19	ROD ASSEMBLY	22	31CD-20	STUD	43
15F28864-20	ROD ASSEMBLY	22	31M22045	SUPPORT ASSY	11
15F28864-21	ROD ASSEMBLY	22	32C28550	ALTERNATOR	3
15F28864-22	ROD ASSEMBLY	22	32C28600	ALT. ASSY	3
15F28864-23	ROD ASSEMBLY	22	32C28603	ALT. ASSY	3
15F28864-24	ROD ASSEMBLY	22	32T23324	PMA	71
15H21201	SPRING	21	36B28509	PULLEY	3
15N28398	CAMSHAFT ASSY	11	36B29585	PULLEY	3
16A26347	CYL HEAD ASSY	19	37C28529-955	BELT	3
16A30200-01	CYL HEAD ASSY	19	37C28529-985	BELT	3
17A23937	VALVE	21	38-13	STUD	7
17B23935	VALVE	21	38-17	STUD	41
17C19386	CAP	21	383-B	NUT	25
17C21191	KEY	21	40B19844	PIPE	73
17D29056	SPRING	21	40B26922	PIPE	73
17D29057	SPRING	21	40B26923	PIPE	73
17F21185	ROCKER ASSY	22	40B26924	PIPE	73
17F21186	ROCKER ASSY	22	40B28372	PIPE	73
18B23885	BEARING	9	40B28373	PIPE	73
18E23886	BEARING	9	40G28371	ADAPTER	73
18N26106	BEARING	17	42B26926	COVER	35
21H26254-01	ACC HOUSING	43	42E31611	PIPE	27
23A26268	SHAFT DRIVE	11	42E31612	PIPE	27
25B26274	GEAR ASSEMBLY	13	42E31613	PIPE	27
25C-10	STUD	43	42E31614	PIPE	27
25C-11	STUD	41	42E31615	PIPE	27
25C-12	STUD	41	47C29976	TRANSITION	73
25C-12	STUD	43	47E29907	VALVE	29
25C-31	STUD	7	51A29876	BODY ASSEMBLY	45
25C-39	STUD	7	51B23274	IMPELLER	45
25C-8	STUD	19	51C23290	IMPELLER ASSY	45
25C-9	STUD	41	53E22144	VALVE ASSEMBLY	53
26A26269	GEAR ASSEMBLY	13	53E29909	VALVE ASSEMBLY	53
26G26265	C'SHAFT GEAR	11	55C26775	SPRING	53
31B26554	STARTER	75	55H26776	VALVE	53
31C-13	STUD	19	56A26781-03	HOUSING ASSY	41

PART NO.	PART NAME	PAGE NO.	PART NO.	PART NAME	PAGE NO.
56G28031	BAFFLE	41	61X29461-CT	FUEL INJECTOR	55
60422	SCREEN	27	62388	CAP	21
60430	COVER	49	62E23191	FUEL PUMP	47
60430	COVER	51	62F26562	FUEL PUMP ASSY	47
60803	STRAP	15	63K26299-CT	REGULATOR	59
60945	PLUG	11	63P26360	RAIL ASSEMBLY	55
60A29063	WIRING HARNESS	68	65T28321	THROTTLE BODY	37
60B26322	POWER BOX	65	66728	WASHER	21
60B26349	IGNITION COIL	68	66732	GASKET	25
60B26778	COIL BOX	68	67W26289-101	LEAD	68
60B26779	COIL BOX	68	67W26289-250	LEAD	68
60B28333	COIL BOX ASSY	68	67W26289-330	LEAD	68
60B29079	DLU ASSEMBLY	65	68668	SPRING	9
60B29462	DLU ASSEMBLY	65	68795	COVER ASSY	25
60B29659	ECU ASSEMBLY	65	69164	GASKET	47
60B29705	ECU ASSEMBLY	65	69260	INSERT	19
60B29726	ECU ASSEMBLY	65	69532	SEAT	21
60C26310-CT	SENSOR	59	70455	GASKET	5
60C26310-CT	SENSOR	61	70457	GASKET	39
60C26313	SENSOR	63	71481	RING	25
60C26314	SENSOR	63	71549	WASHER	22
60C26763	SENSOR	63	71596	WASHER	49
60C28409	SENSOR	61	71596	WASHER	51
60D26318-CT	SENSOR	61	71610	HOOK	25
60D26319-CT	SENSOR	37	71611	RETAINER	25
60E29474-CT	SENSOR	61	71903-A	BUSHING	11
60E29475-CT	SENSOR	61	71907	WASHER	11
60E26316-CT	SENSOR	37	71973	GASKET	27
60E29660	SENSOR	59	72050	KEY	21
60E29660	SENSOR	61	72053	GASKET	5
60E29661	SENSOR	61	72091	RING	9
60E29662	SENSOR	61	72155-S	BUSHING	11
60F29464-CT	SENSOR	19	72167	PIPE	41
61084	SPRING	9	72168	PIPE	41
61503	SLEEVE	21	72169	PIPE	41
61U26301	FILTER	47	72179	STUD	41
61X26294-CT	FUEL INJECTOR	55	72198	PLUG	17
61X29461-CT	FUEL INJECTOR	19	72210	GASKET	27

PART NO.	PART NAME	PAGE NO.	PART NO.	PART NAME	PAGE NO.
72255	SHROUD TUBE	21	75371	GASKET	31
72343	STABILIZER	19	75656-S	BUSHING	11
72344	STABILIZER	19	75675	EXTENSION	39
72376	ELBOW	32	75739	NIPPLE	59
72377	ELBOW	32	75845	GASKET	29
72378	COVER	5	76156	SHIELD	43
72566	GEAR	11	76220	STUD	15
72626	SHAFT	22	76510	GASKET	53
72702	TUBE ASSEMBLY	25	76788	ROLLER	11
72703	TUBE ASSEMBLY	25	76791	BAFFLE	35
72710	COVER	25	77467	SPRING	9
72711	RING	27	77611	GASKET	73
72815	BRACKET	29	77723	GASKET	35
72815	BRACKET	55	77808	VALVE ASSEMBLY	9
72834	COVER	25	77906	SPACER	25
72960	PLUG	41	77998	HOUSING ASSY	27
73027	TUBE ASSEMBLY	25	78083	GASKET	73
73032	GASKET	37	78903	GASKET	31
73249	WASHER	5	79024-S	BUSHING	11
73250	WASHER	5	8313	GASKET	49
73251	WASHER	5	8313	GASKET	51
73252	WASHER	5	AN310-7	NUT	1
73314	GASKET	35	AN4076-1	FITTING	21
73648	ROLLER	11	AN4076-1	FITTING	63
73772	NOZZLE ASSY	7	AN565B1032H5	SET SCREW	5
73781	HOSE	31	AN6-34A	BOLT	15
73810	BUSHING	11	AN7-44	BOLT	1
74065	RING	39	AN814-3L	PLUG, BLEEDER	35
74241	RING	17	AN814-6L	PLUG	31
74306	TUBE	11	AN814-6L	PLUG	35
74360	FLANGE	27	AN814-6L	PLUG	43
74369	TEE	31	AN824-6	TEE	55
74389	BUSHING	22	AN844-12D	ELBOW	49
74494	PLATE	25	AN912-3D	BUSHING	61
74655	SPACER	55	AN919-15	REDUCER	53
74797	FITTING	35	AN960C516	WASHER	73
74887	SPACER	25	AN960C616	WASHER	29
75338	BAFFLE ASSY	25	AN970-4	WASHER	41

PART NO.	PART NAME	PAGE NO.	PART NO.	PART NAME	PAGE NO.
AS3209-017	O-RING	61	LW-12878-4S170	HOSE ASSEMBLY	31
AS3209-151	O-RING	71	LW-12878-4S260	HOSE ASSEMBLY	32
LW-10296	GEAR ASSEMBLY	13	LW-12879-6S110	HOSE ASSEMBLY	55
LW-10307	GEAR ASSEMBLY	49	LW-12879-6S162	HOSE ASSEMBLY	55
LW-10318	GEAR ASSEMBLY	45	LW-13215	OIL FILTER	53
LW-10344	BODY ASSEMBLY	45	LW-13321	SEAT	21
LW-10442	GEAR	5	LW-13322	SEAT	21
LW-10541	GEAR ASSEMBLY	5	LW-13430	BAFFLE ASSY	25
LW-10799	SPACER	47	LW-13487	NUT	31
LW-10952	SHIM	1	LW-13807	ADAPTER ASSY	41
LW-11273	CLAMP	41	LW-13896	PLUG	5
LW-11713	SPRING	9	LW-13908	CAMSHAFT	11
LW-11867	ELBOW	47	LW-14021	SHAFT	5
LW-11882	ELBOW	47	LW-14078	PIN	17
LW-12093-5	COUPLING	73	LW-14465	ADAPTER	31
LW-12093-6	COUPLING	29	LW-14650	SHIM	1
LW-12098-0-280	TUBE ASSEMBLY	56	LW-14820	RING	11
LW-12125-3	COUPLING	29	LW-15569	HOSE	35
LW-12186	NUT	17	LW-15570	CLAMP	35
LW-12191	PIPE	27	LW-15592-5-04	CLAMP	25
LW-12191	PIPE	27	LW-15592-5-05	CLAMP	25
LW-12191	PIPE	27	LW-15592-8-12	CLAMP	31
LW-12191	PIPE	27	LW-15592-8-28	CLAMP	73
LW-12191	PIPE	27	LW-15628	SEAL	9
LW-12434	HOSE	35	LW-15858-62-350	CLAMP	35
LW-12435	PLATE	29	LW-15858-62-443	CLAMP	35
LW-12437	TRANSITION	73	LW-16266-10-1.25	CLAMP	69
LW-12463	TURBOCHARGER	29	LW-16266-10-13	CLAMP	56
LW-12466	BOX	35	LW-16266-10-25	CLAMP	68
LW-12545	PLUG	27	LW-16266-10-25	CLAMP	69
LW-12596	BOLT	17	LW-16266-10-31	CLAMP	68
LW-12690	ELBOW	31	LW-16266-10-31	CLAMP	69
LW-12798-4S074	HOSE ASSEMBLY	61	LW-16266-10-38	CLAMP	56
LW-12798-4S130	HOSE ASSEMBLY	56	LW-16266-10-38	CLAMP	68
LW-12799-6S110	HOSE ASSEMBLY	55	LW-16266-10-38	CLAMP	69
LW-12799-6S180	HOSE ASSEMBLY	55	LW-16266-10-50	CLAMP	69
LW-12877-6S110	HOSE ASSEMBLY	55	LW-16266-10-63	CLAMP	31
LW-12877-6S330	HOSE ASSEMBLY	32	LW-16266-10-63	CLAMP	69

PART NO.	PART NAME	PAGE NO.	PART NO.	PART NAME	PAGE NO.
LW-16266-10-75	CLAMP	31	LW-25-1.25	BOLT	41
LW-16266-10-75	CLAMP	32	LW-25-1.25	BOLT	45
LW-16266-10-75	CLAMP	55	LW-25-1.50	BOLT	15
LW-16266-10-75	CLAMP	56	LW-25-1.63	BOLT	55
LW-16266-10-75	CLAMP	69	LW-25-1.63	BOLT	68
LW-16266-10-88	CLAMP	69	LW-25-1.75	BOLT	15
LW-16266-25-1.00	CLAMP	61	LW-25-1.88	BOLT	15
LW-16266-25-38	CLAMP	69	LW-25-1.88	BOLT	55
LW-16266-25-44	CLAMP	69	LW-25-2.00	BOLT	29
LW-16266-25-50	CLAMP	69	LW-25-2.00	BOLT	41
LW-16266-25-63	CLAMP	55	LW-25-2.00	BOLT	55
LW-16266-25-75	CLAMP	69	LW-25H0.63	BOLT	41
LW-16406	HEAT SHIELD	73	LW-25H1.00	BOLT	32
LW-16448	GEAR ASSEMBLY	51	LW-25S0.77	BOLT	29
LW-16475	SEAT	21	LW-25S1.14	BOLT	29
LW-16561	NIPPLE	32	LW-25S1.50	BOLT	15
LW-16562	NIPPLE	32	LW-31-1.16	BOLT	15
LW-16572	NIPPLE	59	LW-31-1.16	BOLT	75
LW-16620	PIPE	73	LW-31-1.31	BOLT	19
LW-16783-34	GAGE ASSEMBLY	39	LW-31-1.31	BOLT	37
LW-16790	PIPE	73	LW-31-1.31	BOLT	55
LW-16965	ROD	29	LW-31-2.75	BOLT	15
LW-18085	SPRING	9	LW-31H0.88	BOLT	1
LW-18231	ELBOW	31	LW-31H1.06	BOLT	1
LW-18248	ROD	29	LW-31S3.94	BOLT	29
LW-18307	TUBE ASSEMBLY	31	LW-31S4.56	BOLT	29
LW-18459	BRACKET	29	LW-31S5.44	BOLT	29
LW-18661	SEAL	21	LW-38-0.59	BOLT	35
LW-19210	C'WEIGHT ASSY	11	LW-38-0.75	BOLT	31
LW-19332-S	CONN ROD ASSY	17	LW-38H1.09	BOLT	1
LW-25-0.63	BOLT	55	LW-M-2376	PLATES	68
LW-25-0.81	BOLT	27	M25988/1-016	O-RING	47
LW-25-0.81	BOLT	41	MS20823-4	ELBOW	47
LW-25-0.94	BOLT	45	MS20823-4	ELBOW	56
LW-25-1.00	BOLT	41	MS20823-6D	ELBOW	19
LW-25-1.13	BOLT	15	MS28775-018	O-RING	32
LW-25-1.13	BOLT	41	MS28775-021	O-RING	32
LW-25-1.25	BOLT	27	MS28775-126	O-RING	49

PART NO.	PART NAME	PAGE NO.	PART NO.	PART NAME	PAGE NO.
MS29512-03	O-RING	35	STD-33	WASHER	31
MS29512-04	O-RING	32	STD-33	WASHER	35
MS29512-06	O-RING	31	STD-33	WASHER	39
MS29512-06	O-RING	32	STD-35	WASHER	1
MS29512-06	O-RING	35	STD-35	WASHER	5
MS29512-06	O-RING	43	STD-35	WASHER	15
MS29512-10	SEAL	31	STD-35	WASHER	19
MS29512-10	SEAL	43	STD-35	WASHER	37
MS29512-10	SEAL	53	STD-35	WASHER	45
MS29513-028	O-RING	59	STD-35	WASHER	47
MS34589-22X	GROMMET	25	STD-35	WASHER	75
NAS1149E0332P	WASHER	59	STD-68	PIN	29
NAS1352-03-14	SCREW	68	STD-68	PIN	29
NAS1352-03-14	SCREW	69	STD-91	PLUG	41
NAS1352-06-6	SCREW	68	STD-110	SCREW	35
NAS1352-06-6	SCREW	69	STD-148	NIPPLE	59
NAS1352-08-8	SCREW	68	STD-160	WASHER	15
NAS1352C3H10	SCREW	59	STD-160	WASHER	25
NAS1352C3H20	SCREW	35	STD-160	WASHER	27
NAS1352C4H10	SCREW	11	STD-160	WASHER	29
NAS1352C4H10	SCREW	61	STD-160	WASHER	41
NASM24693-S95	SCREW	68	STD-160	WASHER	45
STD-8	WASHER	11	STD-160	WASHER	49
STD-8	WASHER	15	STD-160	WASHER	51
STD-8	WASHER	27	STD-160	WASHER	55
STD-8	WASHER	29	STD-160	WASHER	68
STD-8	WASHER	32	STD-160	WASHER	69
STD-8	WASHER	41	STD-160	WASHER	71
STD-8	WASHER	45	STD-243	WASHER	68
STD-8	WASHER	49	STD-243	WASHER	69
STD-8	WASHER	51	STD-249	WASHER	68
STD-8	WASHER	55	STD-250	WASHER	68
STD-8	WASHER	61	STD-251	WASHER	35
STD-8	WASHER	68	STD-375	SCREW	35
STD-8	WASHER	69	STD-420	NUT	35
STD-8	WASHER	71	STD-425	WASHER	35
STD-28	WASHER	35	STD-425	WASHER	56
STD-33	WASHER	15	STD-425	WASHER	61



PART NO.	PART NAME	PAGE NO.	PART NO.	PART NAME	PAGE NO.
STD-475	WASHER	1	STD-1164	INSERT	27
STD-475	WASHER	5	STD-1173	INSERT	43
STD-475	WASHER	15	STD-1211	PLUG	11
STD-475	WASHER	19	STD-1339	PLUG	7
STD-475	WASHER	37	STD-1342	WASHER	1
STD-475	WASHER	47	STD-1354	WASHER	1
STD-475	WASHER	75	STD-1410	NUT	5
STD-551	PLUG	41	STD-1410	NUT	47
STD-596	NUT	15	STD-1410	NUT	75
STD-596	NUT	39	STD-1411	NUT	15
STD-632	WASHER	1	STD-1411	NUT	25
STD-670	LOCK NUT	25	STD-1411	NUT	41
STD-670	LOCK NUT	31	STD-1411	NUT	49
STD-670	LOCK NUT	55	STD-1411	NUT	51
STD-670	LOCK NUT	56	STD-1411	NUT	68
STD-670	LOCK NUT	61	STD-1411	NUT	69
STD-670	LOCK NUT	68	STD-1411	NUT	71
STD-670	LOCK NUT	69	STD-1420	NUT	29
STD-678	WASHER	15	STD-1420	NUT	45
STD-678	WASHER	31	STD-1501	SCREW	35
STD-678	WASHER	35	STD-1727	WASHER	37
STD-678	WASHER	39	STD-1864	NUT	29
STD-684	NIPPLE	25	STD-1925	SCREW	25
STD-692	SCREW	25	STD-1932	BUSHING	31
STD-692	SCREW	56	STD-2078	DOWEL	11
STD-692	SCREW	61	STD-2079	NUT	68
STD-692	SCREW	69	STD-2079	NUT	69
STD-713	PIN	1	STD-2090	NUT	25
STD-784	PLUG	41	STD-2145	BOLT	29
STD-860	SCREW	31	STD-2180	HOSE	25
STD-860	SCREW	55	STD-2197	WASHER	29
STD-860	SCREW	56	STD-2205	WASHER	29
STD-860	SCREW	56	STD-2231	RING	11
STD-860	SCREW	68	STD-2233	LOCK NUT	73
STD-860	SCREW	69	STD-2249	NUT	15
STD-872	NUT	15	STD-2254	MOUNT	68