



652 Oliver Street
 Williamsport, PA 17701 U.S.A.
 Telephone +1 (877) 839-7878 (U.S. and Canada)
 Telephone +1 (570) 327-7222 (International)
 Fax +1 (570) 327-7101
 Email Technicalsupport@lycoming.com
www.lycoming.com

MANDATORY

SERVICE BULLETIN

DATE: February 20, 2025 Service Bulletin No. 659
 Engineering design data in this service document is FAA approved.

SUBJECT: STD-33 Plain Washer Replacement

MODELS AFFECTED: All Lycoming Reciprocating Aircraft Engines

TIME OF COMPLIANCE: At overhaul or at the next maintenance event which requires removal of STD-33 plain washers, whichever occurs first.

NOTICE: Incomplete review of all the information in this document can cause errors. Read the entire Service Bulletin to make sure you have a complete understanding of the requirements.

This Service Bulletin provides Instructions for Continued Airworthiness (ICA).

Lycoming Engines has determined that certain STD-33, 3/8-inch plain washers (measures 3/8-inch ID x 5/8-inch OD x 0.064 inch thick), sold between April 4, 2022 and March 27, 2024, may be of non-conforming, low hardness. This Service Bulletin identifies engines delivered from the Lycoming factory during the affected date range above that may contain suspect non-conforming STD-33 plain washers. STD-33 plain washers purchased separately as replacement parts are also affected. Low hardness plain washers may deform or compress leading to possible reduction or loss of fastener torque.

For STD-33 plain washers or Kit P/N 05K21702-05 purchased from an Authorized Lycoming Distributor, if the date found on the Lycoming supplied FAA Form 8130-3 falls within this date range, discontinue further installation of these washers. Washers are considered suspect if a definite purchase date cannot be verified. Remove and quarantine suspect STD-33 plain washers. Arrange for the return of unused suspect washers through the Lycoming Distributor from which they were originally procured. Order replacement inventory as needed.

⚠ CAUTION DO NOT REUSE PLAIN WASHERS THAT ARE VISIBLY DAMAGED OR DEFORMED OR IF THE LOCK WASHER HAS LEFT AN IMPRESSION IN THE PLAIN WASHER. REUSE OF DAMAGED OR DEFORMED PLAIN WASHERS MAY RESULT IN IMPROPER TORQUE OR LOSS OF TORQUE IN SERVICE. DISCARD SUSPECT STD-33 PLAIN WASHERS REMOVED FROM AFFECTED ENGINES. DO NOT REUSE IN OTHER LOCATIONS. ALWAYS USE NEW LOCK WASHERS, AS REQUIRED, DURING EACH REASSEMBLY.

NOTICE: All disassembly and reassembly must be completed in accordance with the appropriate engine maintenance manual, overhaul manual, or applicable ICA. Disassembly and reassembly of airframe items to gain access to the engine must be completed in accordance with the appropriate aircraft service documents, manuals, or ICAs.

This Service Bulletin is organized into six sections. Each section identifies affected engine models of similar configuration, a figure identifying the locations of STD-33 plain washers on those engines, and a Table, where applicable, listing engine models and serial numbers of engines shipped from the Lycoming factory between April 4, 2022 and March 27, 2024.



ISSUED			REVISED			PAGE NO.	REVISION
MO	DAY	YEAR	MO	DAY	YEAR	1 of 41	--
02	20	25	--	--	--		

Required Action:

Continue all scheduled or unscheduled maintenance as required with additional attention to fastener security at locations where STD-33 plain washers are installed.

At overhaul or the next maintenance event which requires removal of STD-33 plain washers, discard and replace the STD-33 plain washers, at the locations identified in each section, with conforming STD-33 plain washers, purchased before April 4, 2022 or after March 27, 2024.

Section 1

Affected engine models in this section:

235 Series, 290 Series, 320 Series, 360 Series, and 390 Series engines

Figure 1 indicates common locations of STD-33 plain washers for engines in this section. Refer to the Illustrated Parts Catalog for your engine model for specific locations of the STD-33 plain washers. Refer to the appropriate engine maintenance manual, overhaul manual, or applicable ICA for torque values used during assembly.

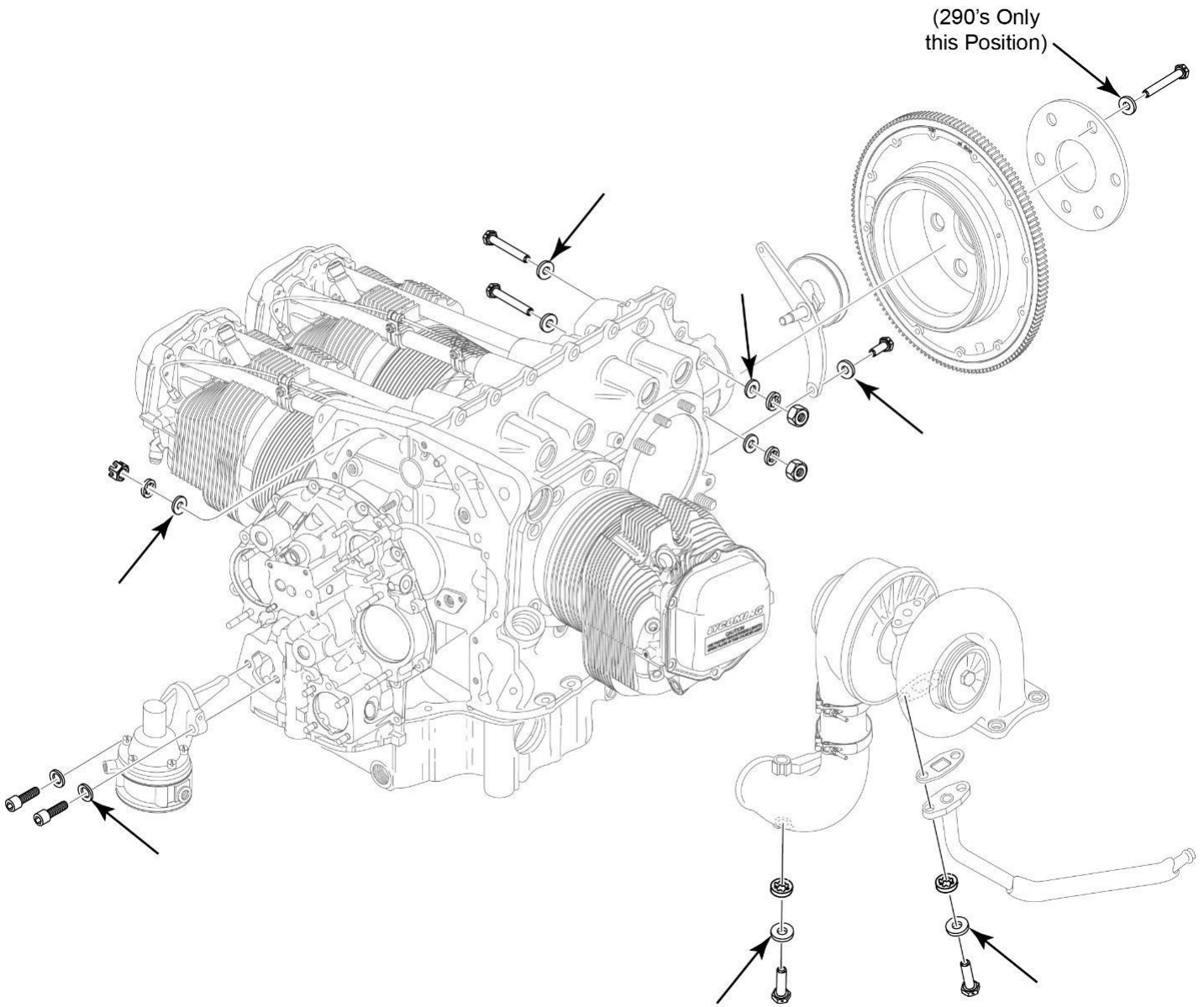


Figure 1
Locations of STD-33 Plain Washers on Engine Models in this Section

ISSUED			REVISED			PAGE NO.	REVISION	S.B. 659
MO	DAY	YEAR	MO	DAY	YEAR			
02	20	25	--	--	--	2 of 41	--	

Table 1
Engine Models and Serial Numbers of Affected Engines in Section 1

Engine Model	Serial Number	Engine Model	Serial Number	Engine Model	Serial Number
O-235-C1	L-3050-15	O-235-L2C	RL-14511-15	O-235-N2C	RL-23902-15
O-235-J2A	RL-15382-15	O-235-L2C	RL-14952-15	O-235-N2C	RL-24220-15
O-235-K2C	L-26032-15	O-235-L2C	RL-15055-15	O-320-A2B	RL-32986-27E
O-235-K2C	RL-16264-15	O-235-L2C	RL-15272-15	O-320-A2D	RL-19867-27E
O-235-L2A	L-15327-15	O-235-L2C	RL-15847-15	O-320-B2B	L-11522-39E
O-235-L2A	L-20160-15	O-235-L2C	RL-15958-15	O-320-B2B	L-20780-39E
O-235-L2A	L-20275-15	O-235-L2C	RL-15979-15	O-320-B2B	L-20887-39E
O-235-L2A	L-20355-15	O-235-L2C	RL-16096-15	O-320-B2B	L-20890-39E
O-235-L2A	L-22180-15	O-235-L2C	RL-16292-15	O-320-B2B	L-20891-39E
O-235-L2A	L-23192-15	O-235-L2C	RL-16338-15	O-320-B2B	L-20900-39E
O-235-L2A	L-26031-15	O-235-L2C	RL-16395-15	O-320-B2B	L-20926-39E
O-235-L2A	L-26035-15	O-235-L2C	RL-16564-15	O-320-B2B	L-7392-39E
O-235-L2A	RL-15327-15	O-235-L2C	RL-16610-15	O-320-B2B	RL-11841-39E
O-235-L2A	RL-15502-15	O-235-L2C	RL-16706-15	O-320-B2B	RL-20908-39E
O-235-L2A	RL-17420-15	O-235-L2C	RL-16733-15	O-320-B2B	RL-5405-39E
O-235-L2A	RL-18437-15	O-235-L2C	RL-16736-15	O-320-B2B	RL-7188-39E
O-235-L2C	L-10130-15	O-235-L2C	RL-16762-15	O-320-B2B	RL-7262-39E
O-235-L2C	L-12500-15	O-235-L2C	RL-16862-15	O-320-B2C	L-8185-39A
O-235-L2C	L-13029-15	O-235-L2C	RL-16900-15	O-320-B3B	L-20957-39E
O-235-L2C	L-13950-15	O-235-L2C	RL-16962-15	O-320-B3B	L-20969-39E
O-235-L2C	L-15489-15	O-235-L2C	RL-16973-15	O-320-B3B	L-20970-39E
O-235-L2C	L-16374-15	O-235-L2C	RL-17032-15	O-320-B3B	L-20971-39E
O-235-L2C	L-17109-15	O-235-L2C	RL-17104-15	O-320-B3B	RL-20925-39E
O-235-L2C	L-17599-15	O-235-L2C	RL-17149-15	O-320-D1D	RL-20937-39E
O-235-L2C	L-18406-15	O-235-L2C	RL-17592-15	O-320-D2A	L-15664-39E
O-235-L2C	L-18855-15	O-235-L2C	RL-17594-15	O-320-D2A	L-20884-39E
O-235-L2C	L-19025-15	O-235-L2C	RL-17846-15	O-320-D2A	L-20943-39E
O-235-L2C	L-19312-15	O-235-L2C	RL-17925-15	O-320-D2A	L-20947-39E
O-235-L2C	L-20493-15	O-235-L2C	RL-18677-15	O-320-D2A	RL-10115-39E
O-235-L2C	L-22378-15	O-235-L2C	RL-19428-15	O-320-D2A	RL-10463-39E
O-235-L2C	L-23167-15	O-235-L2C	RL-19889-15	O-320-D2A	RL-11229-39E
O-235-L2C	L-23342-15	O-235-L2C	RL-20153-15	O-320-D2A	RL-11894-39E
O-235-L2C	L-23627-15	O-235-L2C	RL-20154-15	O-320-D2A	RL-16693-39E
O-235-L2C	L-23884-15	O-235-L2C	RL-21514-15	O-320-D2A	RL-17336-39E
O-235-L2C	L-23952-15	O-235-L2C	RL-25211-15	O-320-D2A	RL-17839-39E
O-235-L2C	L-24065-15	O-235-L2C	RL-25324-15	O-320-D2A	RL-19784-39E
O-235-L2C	L-25386-15	O-235-L2C	RL-25892-15	O-320-D2A	RL-20934-39E
O-235-L2C	L-25477-15	O-235-L2C	RL-9497-15	O-320-D2A	RL-9340-39E
O-235-L2C	L-25508-15	O-235-N2C	L-17370-15	O-320-D2G	RL-11353-39E
O-235-L2C	L-25657-15	O-235-N2C	L-24535-15	O-320-D2G	RL-11395-39E
O-235-L2C	L-25873-15	O-235-N2C	L-25986-15	O-320-D2G	RL-20902-39E
O-235-L2C	L-25966-15	O-235-N2C	L-26033-15	O-320-D2G	RL-20903-39E
O-235-L2C	L-7457-15	O-235-N2C	L-26034-15	O-320-D2G	RL-20935-39E
O-235-L2C	RL-11510-15	O-235-N2C	L-8310-15	O-320-D2G	RL-8926-39E
O-235-L2C	RL-12868-15	O-235-N2C	RL-14396-15	O-320-D2J	L-11134-39E
O-235-L2C	RL-13204-15	O-235-N2C	RL-14960-15	O-320-D2J	L-11284-39E
O-235-L2C	RL-13596-15	O-235-N2C	RL-16100-15	O-320-D2J	L-11579-39E
O-235-L2C	RL-13905-15	O-235-N2C	RL-16573-15	O-320-D2J	L-12454-39E
O-235-L2C	RL-14112-15	O-235-N2C	RL-16750-15	O-320-D2J	L-13753-39E

ISSUED			REVISED			PAGE NO.	REVISION	S.B. 659
MO	DAY	YEAR	MO	DAY	YEAR	3 of 41	--	
02	20	25	--	--	--			

Table 1 (Cont.)
Engine Models and Serial Numbers of Affected Engines in Section 1

Engine Model	Serial Number	Engine Model	Serial Number	Engine Model	Serial Number
O-320-D2J	L-14053-39E	O-320-D2J	RL-15492-39E	O-320-D2J	RL-7164-39E
O-320-D2J	L-14447-39E	O-320-D2J	RL-16294-39E	O-320-D2J	RL-7348-39E
O-320-D2J	L-14789-39E	O-320-D2J	RL-17451-39E	O-320-D2J	RL-7662-39E
O-320-D2J	L-15015-39E	O-320-D2J	RL-17575-39E	O-320-D2J	RL-7770-39E
O-320-D2J	L-18039-39E	O-320-D2J	RL-18801-39E	O-320-D2J	RL-9005-39E
O-320-D2J	L-18174-39E	O-320-D2J	RL-19113-39E	O-320-D2J	RL-9216-39E
O-320-D2J	L-19174-39E	O-320-D2J	RL-19252-39E	O-320-D2J	RL-9309-39E
O-320-D2J	L-19214-39E	O-320-D2J	RL-20441-39E	O-320-D2J	RL-9617-39E
O-320-D2J	L-19836-39E	O-320-D2J	RL-20666-39E	O-320-D2J	RL-9701-39E
O-320-D2J	L-20107-39E	O-320-D2J	RL-20888-39E	O-320-D3G	L-10275-39E
O-320-D2J	L-20429-39E	O-320-D2J	RL-20892-39E	O-320-D3G	L-10299-39E
O-320-D2J	L-20505-39E	O-320-D2J	RL-20893-39E	O-320-D3G	L-10412-39E
O-320-D2J	L-2066-39E	O-320-D2J	RL-20894-39E	O-320-D3G	L-10518-39E
O-320-D2J	L-20889-39E	O-320-D2J	RL-20895-39E	O-320-D3G	L-10936-39E
O-320-D2J	L-20932-39E	O-320-D2J	RL-20896-39E	O-320-D3G	L-11403-39E
O-320-D2J	L-20933-39E	O-320-D2J	RL-20897-39E	O-320-D3G	L-11598-39E
O-320-D2J	L-20940-39E	O-320-D2J	RL-20899-39E	O-320-D3G	L-11610-39E
O-320-D2J	L-20968-39E	O-320-D2J	RL-20901-39E	O-320-D3G	L-11831-39E
O-320-D2J	L-20972-39E	O-320-D2J	RL-20904-39E	O-320-D3G	L-11907-39E
O-320-D2J	L-20973-39E	O-320-D2J	RL-20905-39E	O-320-D3G	L-12088-39E
O-320-D2J	L-471-39E	O-320-D2J	RL-20906-39E	O-320-D3G	L-12100-39E
O-320-D2J	L-4830-39E	O-320-D2J	RL-20909-39E	O-320-D3G	L-12255-39E
O-320-D2J	L-570-39E	O-320-D2J	RL-20910-39E	O-320-D3G	L-12389-39E
O-320-D2J	L-7103-39E	O-320-D2J	RL-20911-39E	O-320-D3G	L-13372-39E
O-320-D2J	L-8258-39E	O-320-D2J	RL-20912-39E	O-320-D3G	L-13701-39E
O-320-D2J	L-8614-39E	O-320-D2J	RL-20913-39E	O-320-D3G	L-13840-39E
O-320-D2J	L-9651-39E	O-320-D2J	RL-20917-39E	O-320-D3G	L-14963-39E
O-320-D2J	L-9861-39E	O-320-D2J	RL-20919-39E	O-320-D3G	L-14978-39E
O-320-D2J	L-9941-39E	O-320-D2J	RL-20920-39E	O-320-D3G	L-15044-39E
O-320-D2J	RL-10062-39E	O-320-D2J	RL-20921-39E	O-320-D3G	L-15592-39E
O-320-D2J	RL-10289-39E	O-320-D2J	RL-20924-39E	O-320-D3G	L-15609-39E
O-320-D2J	RL-10833-39E	O-320-D2J	RL-20938-39E	O-320-D3G	L-16310-39E
O-320-D2J	RL-10956-39E	O-320-D2J	RL-20939-39E	O-320-D3G	L-16932-39E
O-320-D2J	RL-11183-39E	O-320-D2J	RL-20941-39E	O-320-D3G	L-17549-39E
O-320-D2J	RL-11754-39E	O-320-D2J	RL-20942-39E	O-320-D3G	L-19509-39E
O-320-D2J	RL-12092-39E	O-320-D2J	RL-20945-39E	O-320-D3G	L-19868-39E
O-320-D2J	RL-12268-39E	O-320-D2J	RL-20946-39E	O-320-D3G	L-19954-39E
O-320-D2J	RL-12291-39E	O-320-D2J	RL-20949-39E	O-320-D3G	L-20165-39E
O-320-D2J	RL-12814-39E	O-320-D2J	RL-20950-39E	O-320-D3G	L-20440-39E
O-320-D2J	RL-13624-39E	O-320-D2J	RL-20951-39E	O-320-D3G	L-20509-39E
O-320-D2J	RL-13700-39E	O-320-D2J	RL-20952-39E	O-320-D3G	L-20883-39E
O-320-D2J	RL-14428-39E	O-320-D2J	RL-20953-39E	O-320-D3G	L-20930-39E
O-320-D2J	RL-14441-39E	O-320-D2J	RL-20954-39E	O-320-D3G	L-20931-39E
O-320-D2J	RL-14595-39E	O-320-D2J	RL-20955-39E	O-320-D3G	L-20967-39E
O-320-D2J	RL-14702-39E	O-320-D2J	RL-20961-39E	O-320-D3G	L-6244-39E
O-320-D2J	RL-14789-39E	O-320-D2J	RL-20962-39E	O-320-D3G	L-7769-39E
O-320-D2J	RL-14842-39E	O-320-D2J	RL-20963-39E	O-320-D3G	L-7895-39E
O-320-D2J	RL-15197-39E	O-320-D2J	RL-20964-39E	O-320-D3G	L-8077-39E
O-320-D2J	RL-15431-39E	O-320-D2J	RL-20965-39E	O-320-D3G	L-8130-39E

ISSUED			REVISED			PAGE NO.	REVISION	S.B. 659
MO	DAY	YEAR	MO	DAY	YEAR			
02	20	25	--	--	--	4 of 41	--	

Table 1 (Cont.)
Engine Models and Serial Numbers of Affected Engines in Section 1

Engine Model	Serial Number	Engine Model	Serial Number	Engine Model	Serial Number
O-320-D3G	L-8407-39E	O-320-E2D	L-14636-27E	O-320-H2AD	L-2690-76T
O-320-D3G	L-8856-39E	O-320-E2D	L-18165-27E	O-320-H2AD	RL-1032-76T
O-320-D3G	L-9031-39E	O-320-E2D	L-20702-27E	O-320-H2AD	RL-1089-76T
O-320-D3G	L-9445-39E	O-320-E2D	L-22253-27E	O-320-H2AD	RL-1362-76T
O-320-D3G	RL-10235-39E	O-320-E2D	L-22298-27E	O-320-H2AD	RL-1937-76T
O-320-D3G	RL-11111-39E	O-320-E2D	L-27787-27E	O-320-H2AD	RL-2029-76T
O-320-D3G	RL-11514-39E	O-320-E2D	L-3436-27E	O-320-H2AD	RL-2600-76T
O-320-D3G	RL-11534-39E	O-320-E2D	L-34498-27E	O-320-H2AD	RL-5639-76T
O-320-D3G	RL-12069-39E	O-320-E2D	L-37337-27E	O-320-H2AD	RL-6536-76T
O-320-D3G	RL-12132-39E	O-320-E2D	L-7445-27E	O-320-H2AD	RL-6812-76T
O-320-D3G	RL-12482-39E	O-320-E2D	RL-13756-27E	IO-320-B1A	L-2368-55E
O-320-D3G	RL-12908-39E	O-320-E2D	RL-13773-27E	IO-320-B1A	L-2380-55E
O-320-D3G	RL-13032-39E	O-320-E2D	RL-13907-27E	IO-320-B1A	RL-1362-55E
O-320-D3G	RL-13217-39E	O-320-E2D	RL-14412-27E	IO-320-B1A	RL-3162-55E
O-320-D3G	RL-13455-39E	O-320-E2D	RL-14876-27E	IO-320-B1A	RL-3428-55E
O-320-D3G	RL-13946-39E	O-320-E2D	RL-15100-27E	IO-320-B1A	RL-3569-55E
O-320-D3G	RL-14054-39E	O-320-E2D	RL-15236-27E	LIO-320-B1A	RL-3445-66E
O-320-D3G	RL-14061-39E	O-320-E2D	RL-16979-27E	AEIO-320-D2B	RL-2976-55E
O-320-D3G	RL-15069-39E	O-320-E2D	RL-17270-27E	O-360-A1A	L-30767-36E
O-320-D3G	RL-15158-39E	O-320-E2D	RL-17768-27E	O-360-A1A	L-43969-36E
O-320-D3G	RL-15356-39E	O-320-E2D	RL-17847-27E	O-360-A1A	RL-14687-36E
O-320-D3G	RL-15606-39E	O-320-E2D	RL-18472-27E	O-360-A1A	RL-23326-36E
O-320-D3G	RL-17539-39E	O-320-E2D	RL-18958-27E	O-360-A1A	RL-30231-36E
O-320-D3G	RL-18312-39E	O-320-E2D	RL-20140-27E	O-360-A1A	RL-36426-36E
O-320-D3G	RL-18400-39E	O-320-E2D	RL-20518-27E	O-360-A1A	RL-40217-36E
O-320-D3G	RL-19423-39E	O-320-E2D	RL-20612-27E	O-360-A1D	RL-21885-36E
O-320-D3G	RL-19637-39E	O-320-E2D	RL-20796-27E	O-360-A1F6	RL-23197-36E
O-320-D3G	RL-19773-39E	O-320-E2D	RL-21206-27E	O-360-A1F6	RL-37302-36E
O-320-D3G	RL-20898-39E	O-320-E2D	RL-24612-27E	O-360-A1F6	RL-42485-36E
O-320-D3G	RL-20914-39E	O-320-E2D	RL-25680-27E	O-360-A1F6	RL-7350-36E
O-320-D3G	RL-20915-39E	O-320-E2D	RL-28139-27E	O-360-A1F6D	RL-16527-36E
O-320-D3G	RL-20916-39E	O-320-E2D	RL-28181-27E	O-360-A1F6D	RL-16603-36E
O-320-D3G	RL-20918-39E	O-320-E2D	RL-36616-27E	O-360-A1G6D	RL-33781-36E
O-320-D3G	RL-20922-39E	O-320-E2D	RL-40570-27E	O-360-A1H6	L-14018-36E
O-320-D3G	RL-20923-39E	O-320-E2D	RL-43661-27E	O-360-A1H6	L-22608-36E
O-320-D3G	RL-20936-39E	O-320-E2D	RL-4936-27E	O-360-A1H6	L-26743-36E
O-320-D3G	RL-20944-39E	O-320-E2G	L-28239-27E	O-360-A1H6	L-29183-36E
O-320-D3G	RL-20948-39E	O-320-E3D	RL-14151-27E	O-360-A1H6	L-30656-36E
O-320-D3G	RL-20966-39E	O-320-E3D	RL-20642-27E	O-360-A1H6	L-40715-36E
O-320-D3G	RL-4402-39E	O-320-E3D	RL-22883-27E	O-360-A1H6	L-41019-36E
O-320-D3G	RL-8696-39E	O-320-E3D	RL-24779-27E	O-360-A1H6	L-41603-36E
O-320-D3G	RL-8802-39E	O-320-E3D	RL-24948-27E	O-360-A1H6	L-41995-36E
O-320-D3G	RL-9228-39E	O-320-E3D	RL-30679-27E	O-360-A1H6	L-42358-36E
O-320-D3G	RL-9984-39E	O-320-E3D	RL-39573-27E	O-360-A1H6	L-42548-36E
O-320-E2A	RL-20030-27E	O-320-H2AD	L-1594-76T	O-360-A1H6	L-42562-36E
O-320-E2D	L-10679-27E	O-320-H2AD	L-1905-76T	O-360-A1H6	L-42803-36E
O-320-E2D	L-12544-27E	O-320-H2AD	L-1976-76T	O-360-A1H6	RL-12568-36E
O-320-E2D	L-13907-27E	O-320-H2AD	L-2515-76T	O-360-A1H6	RL-13275-36E
O-320-E2D	L-14111-27E	O-320-H2AD	L-2608-76T	O-360-A1H6	RL-13654-36E

ISSUED			REVISED			PAGE NO.	REVISION	S.B. 659
MO	DAY	YEAR	MO	DAY	YEAR	5 of 41	--	
02	20	25	--	--	--			

Table 1 (Cont.)
Engine Models and Serial Numbers of Affected Engines in Section 1

Engine Model	Serial Number	Engine Model	Serial Number	Engine Model	Serial Number
O-360-A1H6	RL-16478-36E	O-360-A3A	RL-11887-36E	O-360-A4M	L-28913-36E
O-360-A1H6	RL-17652-36E	O-360-A3A	RL-1640-36E	O-360-A4M	L-29528-36E
O-360-A1H6	RL-19826-36E	O-360-A3A	RL-25771-36E	O-360-A4M	L-30851-36E
O-360-A1H6	RL-21181-36E	O-360-A3A	RL-26732-36E	O-360-A4M	L-31149-36E
O-360-A1H6	RL-23663-36E	O-360-A3A	RL-27873-36E	O-360-A4M	L-31242-36E
O-360-A1H6	RL-25966-36E	O-360-A3A	RL-43497-36E	O-360-A4M	L-31553-36E
O-360-A1H6	RL-26889-36E	O-360-A4A	L-24176-36E	O-360-A4M	L-31655-36E
O-360-A1H6	RL-27168-36E	O-360-A4A	L-41038-36E	O-360-A4M	L-31992-36E
O-360-A1H6	RL-29988-36E	O-360-A4A	L-42504-36E	O-360-A4M	L-32634-36E
O-360-A1H6	RL-30135-36E	O-360-A4A	RL-12164-36E	O-360-A4M	L-34960-36E
O-360-A1H6	RL-30432-36E	O-360-A4A	RL-17358-36E	O-360-A4M	L-36698-36E
O-360-A1H6	RL-30795-36E	O-360-A4A	RL-28831-36E	O-360-A4M	L-36726-36E
O-360-A1H6	RL-33398-36E	O-360-A4A	RL-28854-36E	O-360-A4M	L-38054-36E
O-360-A1H6	RL-34936-36E	O-360-A4A	RL-29263-36E	O-360-A4M	L-38680-36E
O-360-A1H6	RL-34994-36E	O-360-A4A	RL-29444-36E	O-360-A4M	L-38705-36E
O-360-A1H6	RL-35796-36E	O-360-A4A	RL-30205-36E	O-360-A4M	L-38710-36E
O-360-A1H6	RL-36365-36E	O-360-A4A	RL-33636-36E	O-360-A4M	L-38796-36E
O-360-A1H6	RL-36490-36E	O-360-A4A	RL-34793-36E	O-360-A4M	L-39370-36E
O-360-A1H6	RL-38482-36E	O-360-A4A	RL-35399-36E	O-360-A4M	L-39376-36E
O-360-A1H6	RL-39195-36E	O-360-A4A	RL-36718-36E	O-360-A4M	L-39494-36E
O-360-A1H6	RL-39614-36E	O-360-A4A	RL-39689-36E	O-360-A4M	L-39570-36E
O-360-A1H6	RL-40015-36E	O-360-A4A	RL-40130-36E	O-360-A4M	L-39682-36E
O-360-A1H6	RL-40354-36E	O-360-A4A	RL-40734-36E	O-360-A4M	L-39805-36E
O-360-A1H6	RL-42426-36E	O-360-A4A	RL-42200-36E	O-360-A4M	L-40091-36E
O-360-A1H6	RL-5808-36E	O-360-A4A	RL-42401-36E	O-360-A4M	L-40526-36E
O-360-A1P	L-43831-36E	O-360-A4A	RL-42678-36E	O-360-A4M	L-40765-36E
O-360-A1P	L-43965-36E	O-360-A4A	RL-42878-36E	O-360-A4M	L-40969-36E
O-360-A1P	L-43966-36E	O-360-A4A	RL-42923-36E	O-360-A4M	L-40979-36E
O-360-A1P	L-43990-36E	O-360-A4K	L-42283-36E	O-360-A4M	L-41153-36E
O-360-A1P	L-43992-36E	O-360-A4K	L-43994-36E	O-360-A4M	L-41694-36E
O-360-A1P	L-44057-36E	O-360-A4K	RL-26229-36E	O-360-A4M	L-41786-36E
O-360-A1P	L-44061-36E	O-360-A4K	RL-27834-36E	O-360-A4M	L-42208-36E
O-360-A1P	L-44068-36E	O-360-A4K	RL-37152-36E	O-360-A4M	L-42218-36E
O-360-A1P	L-44070-36E	O-360-A4K	RL-37768-36E	O-360-A4M	L-42287-36E
O-360-A1P	L-44071-36E	O-360-A4K	RL-40125-36E	O-360-A4M	L-42291-36E
O-360-A1P	L-44136-36E	O-360-A4M	L-10276-36E	O-360-A4M	L-42332-36E
O-360-A1P	L-44142-36E	O-360-A4M	L-10522-36E	O-360-A4M	L-42431-36E
O-360-A1P	L-44154-36E	O-360-A4M	L-12137-36E	O-360-A4M	L-42491-36E
O-360-A1P	L-44155-36E	O-360-A4M	L-12584-36E	O-360-A4M	L-42537-36E
O-360-A1P	L-44156-36E	O-360-A4M	L-17591-36E	O-360-A4M	L-42730-36E
O-360-A1P	L-44163-36E	O-360-A4M	L-18801-36E	O-360-A4M	L-42813-36E
O-360-A1P	L-44185-36E	O-360-A4M	L-21570-36E	O-360-A4M	L-42950-36E
O-360-A1P	RL-10650-36E	O-360-A4M	L-2259-36E	O-360-A4M	L-42958-36E
O-360-A1P	RL-27525-36E	O-360-A4M	L-23579-36E	O-360-A4M	L-42991-36E
O-360-A1P	RL-32124-36E	O-360-A4M	L-23866-36E	O-360-A4M	L-42994-36E
O-360-A1P	RL-38480-36E	O-360-A4M	L-24603-36E	O-360-A4M	L-43001-36E
O-360-A1P	RL-43467-36E	O-360-A4M	L-26492-36E	O-360-A4M	L-43014-36E
O-360-A3A	L-35787-36E	O-360-A4M	L-26627-36E	O-360-A4M	L-43036-36E
O-360-A3A	L-41485-36E	O-360-A4M	L-27269-36E	O-360-A4M	L-43045-36E

ISSUED			REVISED			PAGE NO.	REVISION	S.B. 659
MO	DAY	YEAR	MO	DAY	YEAR			
02	20	25	--	--	--	6 of 41	--	

Table 1 (Cont.)
Engine Models and Serial Numbers of Affected Engines in Section 1

Engine Model	Serial Number	Engine Model	Serial Number	Engine Model	Serial Number
O-360-A4M	L-43080-36E	O-360-A4M	L-44059-36E	O-360-A4M	RL-11269-36E
O-360-A4M	L-43081-36E	O-360-A4M	L-44060-36E	O-360-A4M	RL-11796-36E
O-360-A4M	L-43114-36E	O-360-A4M	L-44072-36E	O-360-A4M	RL-11819-36E
O-360-A4M	L-43185-36E	O-360-A4M	L-44087-36E	O-360-A4M	RL-12705-36E
O-360-A4M	L-43196-36E	O-360-A4M	L-44088-36E	O-360-A4M	RL-13656-36E
O-360-A4M	L-43394-36E	O-360-A4M	L-44090-36E	O-360-A4M	RL-1379-36E
O-360-A4M	L-43435-36E	O-360-A4M	L-44091-36E	O-360-A4M	RL-13818-36E
O-360-A4M	L-43776-36E	O-360-A4M	L-44092-36E	O-360-A4M	RL-13968-36E
O-360-A4M	L-43824-36E	O-360-A4M	L-44093-36E	O-360-A4M	RL-15630-36E
O-360-A4M	L-43942-36E	O-360-A4M	L-44094-36E	O-360-A4M	RL-15747-36E
O-360-A4M	L-43960-36E	O-360-A4M	L-44095-36E	O-360-A4M	RL-1583-36E
O-360-A4M	L-43961-36E	O-360-A4M	L-44096-36E	O-360-A4M	RL-15941-36E
O-360-A4M	L-43962-36E	O-360-A4M	L-44097-36E	O-360-A4M	RL-16328-36E
O-360-A4M	L-43968-36E	O-360-A4M	L-44100-36E	O-360-A4M	RL-16940-36E
O-360-A4M	L-43970-36E	O-360-A4M	L-44101-36E	O-360-A4M	RL-17469-36E
O-360-A4M	L-43975-36E	O-360-A4M	L-44105-36E	O-360-A4M	RL-17473-36E
O-360-A4M	L-43976-36E	O-360-A4M	L-44106-36E	O-360-A4M	RL-17616-36E
O-360-A4M	L-43979-36E	O-360-A4M	L-44107-36E	O-360-A4M	RL-17815-36E
O-360-A4M	L-43983-36E	O-360-A4M	L-44108-36E	O-360-A4M	RL-18693-36E
O-360-A4M	L-43986-36E	O-360-A4M	L-44112-36E	O-360-A4M	RL-19147-36E
O-360-A4M	L-43987-36E	O-360-A4M	L-44114-36E	O-360-A4M	RL-19173-36E
O-360-A4M	L-43991-36E	O-360-A4M	L-44115-36E	O-360-A4M	RL-19503-36E
O-360-A4M	L-43995-36E	O-360-A4M	L-44120-36E	O-360-A4M	RL-20147-36E
O-360-A4M	L-43996-36E	O-360-A4M	L-44125-36E	O-360-A4M	RL-20382-36E
O-360-A4M	L-44005-36E	O-360-A4M	L-44126-36E	O-360-A4M	RL-20680-36E
O-360-A4M	L-44006-36E	O-360-A4M	L-44127-36E	O-360-A4M	RL-20686-36E
O-360-A4M	L-44007-36E	O-360-A4M	L-44129-36E	O-360-A4M	RL-20740-36E
O-360-A4M	L-44008-36E	O-360-A4M	L-44130-36E	O-360-A4M	RL-21035-36E
O-360-A4M	L-44009-36E	O-360-A4M	L-44131-36E	O-360-A4M	RL-21740-36E
O-360-A4M	L-44019-36E	O-360-A4M	L-44133-36E	O-360-A4M	RL-22030-36E
O-360-A4M	L-44020-36E	O-360-A4M	L-44141-36E	O-360-A4M	RL-22034-36E
O-360-A4M	L-44021-36E	O-360-A4M	L-44146-36E	O-360-A4M	RL-22346-36E
O-360-A4M	L-44022-36E	O-360-A4M	L-44149-36E	O-360-A4M	RL-22632-36E
O-360-A4M	L-44023-36E	O-360-A4M	L-44150-36E	O-360-A4M	RL-22634-36E
O-360-A4M	L-44024-36E	O-360-A4M	L-44161-36E	O-360-A4M	RL-23281-36E
O-360-A4M	L-44025-36E	O-360-A4M	L-44162-36E	O-360-A4M	RL-23340-36E
O-360-A4M	L-44028-36E	O-360-A4M	L-44166-36E	O-360-A4M	RL-23550-36E
O-360-A4M	L-44029-36E	O-360-A4M	L-44167-36E	O-360-A4M	RL-23678-36E
O-360-A4M	L-44033-36E	O-360-A4M	L-44170-36E	O-360-A4M	RL-24030-36E
O-360-A4M	L-44035-36E	O-360-A4M	L-44174-36E	O-360-A4M	RL-24162-36E
O-360-A4M	L-44045-36E	O-360-A4M	L-44177-36E	O-360-A4M	RL-24537-36E
O-360-A4M	L-44046-36E	O-360-A4M	L-44178-36E	O-360-A4M	RL-24917-51E
O-360-A4M	L-44047-36E	O-360-A4M	L-44179-36E	O-360-A4M	RL-26122-36E
O-360-A4M	L-44048-36E	O-360-A4M	L-44182-36E	O-360-A4M	RL-26151-36E
O-360-A4M	L-44050-36E	O-360-A4M	L-44183-36E	O-360-A4M	RL-26393-36E
O-360-A4M	L-44051-36E	O-360-A4M	L-44186-36E	O-360-A4M	RL-26648-36E
O-360-A4M	L-44052-36E	O-360-A4M	L-44187-36E	O-360-A4M	RL-26839-36E
O-360-A4M	L-44053-36E	O-360-A4M	RL-10667-36E	O-360-A4M	RL-27385-36E
O-360-A4M	L-44056-36E	O-360-A4M	RL-10983-36E	O-360-A4M	RL-27450-36E

ISSUED			REVISED			PAGE NO.	REVISION	S.B. 659
MO	DAY	YEAR	MO	DAY	YEAR	7 of 41	--	
02	20	25	--	--	--			

Table 1 (Cont.)
Engine Models and Serial Numbers of Affected Engines in Section 1

Engine Model	Serial Number	Engine Model	Serial Number	Engine Model	Serial Number
O-360-A4M	RL-27505-36E	O-360-A4M	RL-36185-36E	O-360-A4M	RL-42567-36E
O-360-A4M	RL-27819-36E	O-360-A4M	RL-36580-36E	O-360-A4M	RL-42572-36E
O-360-A4M	RL-28234-36E	O-360-A4M	RL-37056-36E	O-360-A4M	RL-42594-36E
O-360-A4M	RL-28262-36E	O-360-A4M	RL-37149-36E	O-360-A4M	RL-42644-36E
O-360-A4M	RL-28457-36E	O-360-A4M	RL-37242-36E	O-360-A4M	RL-42653-36E
O-360-A4M	RL-28507-36E	O-360-A4M	RL-37615-36E	O-360-A4M	RL-42772-36E
O-360-A4M	RL-28696-36E	O-360-A4M	RL-37622-36E	O-360-A4M	RL-42777-36E
O-360-A4M	RL-29381-36E	O-360-A4M	RL-37994-36E	O-360-A4M	RL-42799-36E
O-360-A4M	RL-29429-36E	O-360-A4M	RL-38225-36E	O-360-A4M	RL-42822-36E
O-360-A4M	RL-29494-36E	O-360-A4M	RL-38242-36E	O-360-A4M	RL-42841-36E
O-360-A4M	RL-29520-36E	O-360-A4M	RL-38272-36E	O-360-A4M	RL-42920-36E
O-360-A4M	RL-29586-36E	O-360-A4M	RL-38469-36E	O-360-A4M	RL-42922-36E
O-360-A4M	RL-29726-36E	O-360-A4M	RL-38760-36E	O-360-A4M	RL-42926-36E
O-360-A4M	RL-29891-36E	O-360-A4M	RL-38795-36E	O-360-A4M	RL-42941-36E
O-360-A4M	RL-30088-36E	O-360-A4M	RL-38941-36E	O-360-A4M	RL-42948-36E
O-360-A4M	RL-30168-36E	O-360-A4M	RL-39361-36E	O-360-A4M	RL-42986-36E
O-360-A4M	RL-30212-36E	O-360-A4M	RL-39460-36E	O-360-A4M	RL-43003-36E
O-360-A4M	RL-30443-36E	O-360-A4M	RL-39485-36E	O-360-A4M	RL-43040-36E
O-360-A4M	RL-30799-36E	O-360-A4M	RL-39514-36E	O-360-A4M	RL-43045-36E
O-360-A4M	RL-30819-36E	O-360-A4M	RL-39805-36E	O-360-A4M	RL-43052-36E
O-360-A4M	RL-31562-36E	O-360-A4M	RL-40014-36E	O-360-A4M	RL-43076-36E
O-360-A4M	RL-31569-36E	O-360-A4M	RL-40174-36E	O-360-A4M	RL-43125-36E
O-360-A4M	RL-3160-36E	O-360-A4M	RL-40815-36E	O-360-A4M	RL-43149-36E
O-360-A4M	RL-31728-36E	O-360-A4M	RL-41152-36E	O-360-A4M	RL-43176-36E
O-360-A4M	RL-32695-36E	O-360-A4M	RL-41460-36E	O-360-A4M	RL-43310-36E
O-360-A4M	RL-32733-36E	O-360-A4M	RL-41569-36E	O-360-A4M	RL-43441-36E
O-360-A4M	RL-33074-36E	O-360-A4M	RL-41746-36E	O-360-A4M	RL-43461-36E
O-360-A4M	RL-33079-36E	O-360-A4M	RL-41885-36E	O-360-A4M	RL-43493-36E
O-360-A4M	RL-33080-36E	O-360-A4M	RL-42185-36E	O-360-A4M	RL-43501-36E
O-360-A4M	RL-33116-36E	O-360-A4M	RL-42192-36E	O-360-A4M	RL-43506-36E
O-360-A4M	RL-33308-36E	O-360-A4M	RL-42199-36E	O-360-A4M	RL-43579-36E
O-360-A4M	RL-33333-36E	O-360-A4M	RL-42203-36E	O-360-A4M	RL-43589-36E
O-360-A4M	RL-33406-36E	O-360-A4M	RL-42213-36E	O-360-A4M	RL-43677-36E
O-360-A4M	RL-33516-36E	O-360-A4M	RL-42229-36E	O-360-A4M	RL-44103-36E
O-360-A4M	RL-33613-36E	O-360-A4M	RL-42275-36E	O-360-A4M	RL-44104-36E
O-360-A4M	RL-34174-36E	O-360-A4M	RL-42280-36E	O-360-A4M	RL-44109-36E
O-360-A4M	RL-34397-36E	O-360-A4M	RL-42297-36E	O-360-A4M	RL-44110-36E
O-360-A4M	RL-34829-36E	O-360-A4M	RL-42308-36E	O-360-A4M	RL-5696-36E
O-360-A4M	RL-34932-36E	O-360-A4M	RL-42314-36E	O-360-A4M	RL-5955-36E
O-360-A4M	RL-35029-36E	O-360-A4M	RL-42316-36E	O-360-A4M	RL-680-36E
O-360-A4M	RL-35171-36E	O-360-A4M	RL-42322-36E	O-360-A4M	RL-6865-36E
O-360-A4M	RL-35179-36E	O-360-A4M	RL-42323-36E	O-360-A4M	RL-6903-36E
O-360-A4M	RL-35306-36E	O-360-A4M	RL-42368-36E	O-360-A4M	RL-7630-36E
O-360-A4M	RL-35510-36E	O-360-A4M	RL-42412-36E	O-360-A4M	RL-8511-36E
O-360-A4M	RL-35682-36E	O-360-A4M	RL-42416-36E	O-360-A4M	RL-8612-36E
O-360-A4M	RL-35827-36E	O-360-A4M	RL-42436-36E	O-360-A4M	RL-9146-36E
O-360-A4M	RL-36073-36E	O-360-A4M	RL-42448-36E	O-360-A4M	RL-9414-36E
O-360-A4M	RL-36077-36E	O-360-A4M	RL-42525-36E	O-360-A4N	L-42542-36E
O-360-A4M	RL-36167-36E	O-360-A4M	RL-42556-36E	O-360-A4N	RL-43147-36E

ISSUED			REVISED			PAGE NO.	REVISION	S.B. 659
MO	DAY	YEAR	MO	DAY	YEAR			
02	20	25	--	--	--	8 of 41	--	

Table 1 (Cont.)
Engine Models and Serial Numbers of Affected Engines in Section 1

Engine Model	Serial Number	Engine Model	Serial Number	Engine Model	Serial Number
O-360-C1F	L-42585-36E	O-360-J2A	L-41749-36E	O-360-J2A	L-44075-36E
O-360-C1F	L-42586-36E	O-360-J2A	L-41989-36E	O-360-J2A	L-44076-36E
O-360-C1F	L-42607-36E	O-360-J2A	L-42162-36E	O-360-J2A	L-44077-36E
O-360-C1F	L-42665-36E	O-360-J2A	L-42428-36E	O-360-J2A	L-44078-36E
O-360-C1F	L-42666-36E	O-360-J2A	L-42513-36E	O-360-J2A	L-44080-36E
O-360-C1F	L-42995-36E	O-360-J2A	L-42648-36E	O-360-J2A	L-44081-36E
O-360-C1F	RL-19651-36E	O-360-J2A	L-43010-36E	O-360-J2A	L-44082-36E
O-360-C1F	RL-35302-36E	O-360-J2A	L-43058-36E	O-360-J2A	L-44083-36E
O-360-C1F	RL-38191-36E	O-360-J2A	L-43084-36E	O-360-J2A	L-44085-36E
O-360-C1F	RL-38411-36E	O-360-J2A	L-43925-36E	O-360-J2A	L-44086-36E
O-360-C1G	L-29951-36E	O-360-J2A	L-43959-36E	O-360-J2A	L-44098-36E
O-360-C1G	L-42770-36E	O-360-J2A	L-43964-36E	O-360-J2A	L-44102-36E
O-360-C1G	L-43623-36E	O-360-J2A	L-43974-36E	O-360-J2A	L-44111-36E
O-360-C1G	L-43967-36E	O-360-J2A	L-43977-36E	O-360-J2A	L-44116-36E
O-360-C1G	L-44010-36E	O-360-J2A	L-43980-36E	O-360-J2A	L-44117-36E
O-360-C1G	L-44026-36E	O-360-J2A	L-43982-36E	O-360-J2A	L-44118-36E
O-360-C1G	L-44032-36E	O-360-J2A	L-43984-36E	O-360-J2A	L-44119-36E
O-360-C1G	L-44036-36E	O-360-J2A	L-43985-36E	O-360-J2A	L-44121-36E
O-360-C1G	L-44062-36E	O-360-J2A	L-43988-36E	O-360-J2A	L-44122-36E
O-360-C1G	L-44113-36E	O-360-J2A	L-43989-36E	O-360-J2A	L-44123-36E
O-360-C1G	L-44135-36E	O-360-J2A	L-43997-36E	O-360-J2A	L-44124-36E
O-360-C1G	L-44145-36E	O-360-J2A	L-43998-36E	O-360-J2A	L-44137-36E
O-360-C1G	L-44176-36E	O-360-J2A	L-43999-36E	O-360-J2A	L-44138-36E
O-360-C1G	RL-19500-36E	O-360-J2A	L-44000-36E	O-360-J2A	L-44139-36E
O-360-C1G	RL-22691-36E	O-360-J2A	L-44002-36E	O-360-J2A	L-44140-36E
O-360-C1G	RL-29382-36E	O-360-J2A	L-44003-36E	O-360-J2A	L-44147-36E
O-360-C1G	RL-30195-36E	O-360-J2A	L-44004-36E	O-360-J2A	L-44148-36E
O-360-C1G	RL-35541-36E	O-360-J2A	L-44012-36E	O-360-J2A	L-44152-36E
O-360-C1G	RL-35576-36E	O-360-J2A	L-44015-36E	O-360-J2A	L-44153-36E
O-360-C1G	RL-35974-36E	O-360-J2A	L-44016-36E	O-360-J2A	L-44157-36E
O-360-C2A	RL-37620-36E	O-360-J2A	L-44017-36E	O-360-J2A	L-44158-36E
O-360-C4F	RL-38415-36E	O-360-J2A	L-44018-36E	O-360-J2A	L-44159-36E
O-360-C4P	L-43120-36E	O-360-J2A	L-44030-36E	O-360-J2A	L-44160-36E
O-360-C4P	L-43963-36E	O-360-J2A	L-44031-36E	O-360-J2A	L-44165-36E
O-360-C4P	L-44011-36E	O-360-J2A	L-44034-36E	O-360-J2A	L-44168-36E
O-360-C4P	L-44143-36E	O-360-J2A	L-44037-36E	O-360-J2A	L-44169-36E
O-360-C4P	L-44151-36E	O-360-J2A	L-44038-36E	O-360-J2A	L-44171-36E
O-360-C4P	RL-23166-36E	O-360-J2A	L-44039-36E	O-360-J2A	L-44172-36E
O-360-E1A6D	L-482-77T	O-360-J2A	L-44040-36E	O-360-J2A	L-44173-36E
O-360-E1A6D	RL-184-77T	O-360-J2A	L-44041-36E	O-360-J2A	L-44175-36E
O-360-E1A6D	RL-428-77T	O-360-J2A	L-44042-36E	O-360-J2A	L-44180-36E
O-360-F1A6	RL-26790-36E	O-360-J2A	L-44043-36E	O-360-J2A	L-44181-36E
O-360-J2A	L-21893-36E	O-360-J2A	L-44044-36E	O-360-J2A	L-44184-36E
O-360-J2A	L-33415-36E	O-360-J2A	L-44049-36E	O-360-J2A	RL-14082-36E
O-360-J2A	L-3601-36E	O-360-J2A	L-44054-36E	O-360-J2A	RL-17501-36E
O-360-J2A	L-36288-36E	O-360-J2A	L-44055-36E	O-360-J2A	RL-18426-36E
O-360-J2A	L-40659-36E	O-360-J2A	L-44058-36E	O-360-J2A	RL-20302-36E
O-360-J2A	L-41115-36E	O-360-J2A	L-44066-36E	O-360-J2A	RL-27038-36E
O-360-J2A	L-41249-36E	O-360-J2A	L-44067-36E	O-360-J2A	RL-30601-36E

ISSUED			REVISED			PAGE NO.	REVISION	S.B. 659
MO	DAY	YEAR	MO	DAY	YEAR	9 of 41	--	
02	20	25	--	--	--			

Table 1 (Cont.)
Engine Models and Serial Numbers of Affected Engines in Section 1

Engine Model	Serial Number	Engine Model	Serial Number	Engine Model	Serial Number
O-360-J2A	RL-31855-36E	IO-360-A1B6	RL-24977-51E	IO-360-A1D6	L-40114-51E
O-360-J2A	RL-37911-36E	IO-360-A1B6	RL-25141-51E	IO-360-A3B6	L-32795-51E
O-360-J2A	RL-38349-36E	IO-360-A1B6	RL-28814-51E	IO-360-A3B6	L-32909-51E
O-360-J2A	RL-39311-36E	IO-360-A1B6	RL-30244-51E	IO-360-A3B6	L-35767-51E
O-360-J2A	RL-40138-36E	IO-360-A1B6	RL-30871-51E	IO-360-A3B6	L-36542-51E
O-360-J2A	RL-40984-36E	IO-360-A1B6	RL-31234-51E	IO-360-A3B6	L-38043-51E
O-360-J2A	RL-41115-36E	IO-360-A1B6	RL-31719-51E	IO-360-A3B6	RL-16124-51E
O-360-J2A	RL-42704-36E	IO-360-A1B6	RL-33050-51E	IO-360-A3B6	RL-16461-51E
O-360-J2A	RL-42908-36E	IO-360-A1B6	RL-33168-51E	IO-360-A3B6	RL-17972-51E
O-360-J2A	RL-43502-36E	IO-360-A1B6	RL-34210-51E	IO-360-A3B6	RL-22310-51E
HO-360-C1A	RL-12952-36E	IO-360-A1B6	RL-36129-51E	IO-360-A3B6	RL-28341-51E
HO-360-C1A	RL-43470-36E	IO-360-A1B6	RL-36322-51E	IO-360-A3B6	RL-30977-51E
IO-360-A1A	RL-1064-51E	IO-360-A1B6	RL-37436-51E	IO-360-A3B6	RL-31294-51E
IO-360-A1A	RL-24472-51E	IO-360-A1B6	RL-37454-51E	IO-360-A3B6	RL-31490-51E
IO-360-A1A	RL-35591-51E	IO-360-A1B6	RL-37459-51E	IO-360-A3B6	RL-32795-51E
IO-360-A1A	RL-35726-51E	IO-360-A1B6	RL-37491-51E	IO-360-A3B6	RL-33225-51E
IO-360-A1A	RL-37096-51E	IO-360-A1B6	RL-37527-51E	IO-360-A3B6	RL-37508-51E
IO-360-A1A	RL-37716-51E	IO-360-A1B6	RL-37558-51E	IO-360-A3B6	RL-39581-51E
IO-360-A1A	RL-37756-51E	IO-360-A1B6	RL-37594-51E	IO-360-B1E	RL-13927-51E
IO-360-A1B6	L-29805-51E	IO-360-A1B6	RL-37625-51E	IO-360-B1E	RL-36913-51E
IO-360-A1B6	L-36101-51E	IO-360-A1B6	RL-37790-51E	IO-360-B1G6	L-28026-51E
IO-360-A1B6	L-37785-51E	IO-360-A1B6	RL-39606-51E	IO-360-B1G6	L-30415-51E
IO-360-A1B6	L-37787-51E	IO-360-A1B6	RL-6564-51E	IO-360-B1G6	L-30416-51E
IO-360-A1B6	L-38423-51E	IO-360-A1B6	RL-7748-51E	IO-360-B1G6	L-32344-51E
IO-360-A1B6	L-39183-51E	IO-360-A1B6D	RL-28751-51E	IO-360-B1G6	L-33661-51E
IO-360-A1B6	L-39213-51E	IO-360-A1D6	L-38727-51E	IO-360-B1G6	L-34138-51E
IO-360-A1B6	L-39354-51E	IO-360-A1D6	L-39228-51E	IO-360-B1G6	L-34811-51E
IO-360-A1B6	L-39355-51E	IO-360-A1D6	L-39336-51E	IO-360-B1G6	L-34988-51E
IO-360-A1B6	L-39417-51E	IO-360-A1D6	L-39346-51E	IO-360-B1G6	L-35311-51E
IO-360-A1B6	L-39418-51E	IO-360-A1D6	L-39356-51E	IO-360-B1G6	L-35990-51E
IO-360-A1B6	L-39419-51E	IO-360-A1D6	L-39379-51E	IO-360-B1G6	L-37507-51E
IO-360-A1B6	L-39458-51E	IO-360-A1D6	L-39451-51E	IO-360-B1G6	L-37616-51E
IO-360-A1B6	L-39659-51E	IO-360-A1D6	L-39452-51E	IO-360-B1G6	L-38333-51E
IO-360-A1B6	L-39660-51E	IO-360-A1D6	L-39499-51E	IO-360-B1G6	L-38400-51E
IO-360-A1B6	L-39717-51E	IO-360-A1D6	L-39502-51E	IO-360-B1G6	L-38465-51E
IO-360-A1B6	L-39718-51E	IO-360-A1D6	L-39535-51E	IO-360-B1G6	L-38479-51E
IO-360-A1B6	L-39751-51E	IO-360-A1D6	L-39569-51E	IO-360-B1G6	L-39193-51E
IO-360-A1B6	L-39752-51E	IO-360-A1D6	L-39570-51E	IO-360-B1G6	L-39202-51E
IO-360-A1B6	L-39795-51E	IO-360-A1D6	L-39637-51E	IO-360-B1G6	L-39237-51E
IO-360-A1B6	L-39796-51E	IO-360-A1D6	L-39771-51E	IO-360-B1G6	L-39258-51E
IO-360-A1B6	RL-10931-51E	IO-360-A1D6	L-39787-51E	IO-360-B1G6	L-39278-51E
IO-360-A1B6	RL-10958-51E	IO-360-A1D6	L-39865-51E	IO-360-B1G6	L-39307-51E
IO-360-A1B6	RL-11855-51E	IO-360-A1D6	L-40000-51E	IO-360-B1G6	L-39315-51E
IO-360-A1B6	RL-14890-51E	IO-360-A1D6	L-40009-51E	IO-360-B1G6	L-39331-51E
IO-360-A1B6	RL-17186-51E	IO-360-A1D6	L-40035-51E	IO-360-B1G6	L-39357-51E
IO-360-A1B6	RL-18636-51E	IO-360-A1D6	L-40046-51E	IO-360-B1G6	L-39369-51E
IO-360-A1B6	RL-21063-51E	IO-360-A1D6	L-40071-51E	IO-360-B1G6	L-39402-51E
IO-360-A1B6	RL-21739-51E	IO-360-A1D6	L-40087-51E	IO-360-B1G6	L-39416-51E
IO-360-A1B6	RL-23532-51E	IO-360-A1D6	L-40111-51E	IO-360-B1G6	L-39428-51E

ISSUED			REVISED			PAGE NO.	REVISION	S.B. 659
MO	DAY	YEAR	MO	DAY	YEAR			
02	20	25	--	--	--	10 of 41	--	

Table 1 (Cont.)
Engine Models and Serial Numbers of Affected Engines in Section 1

Engine Model	Serial Number	Engine Model	Serial Number	Engine Model	Serial Number
IO-360-B1G6	L-39487-51E	IO-360-B4A	L-30575-51E	IO-360-B4A	L-37038-51E
IO-360-B1G6	L-39521-51E	IO-360-B4A	L-30958-51E	IO-360-B4A	L-37040-51E
IO-360-B1G6	L-39551-51E	IO-360-B4A	L-31293-51E	IO-360-B4A	L-37045-51E
IO-360-B1G6	L-39600-51E	IO-360-B4A	L-31790-51E	IO-360-B4A	L-37051-51E
IO-360-B1G6	L-39634-51E	IO-360-B4A	L-32615-51E	IO-360-B4A	L-37137-51E
IO-360-B1G6	L-39642-51E	IO-360-B4A	L-32799-51E	IO-360-B4A	L-37141-51E
IO-360-B1G6	L-39661-51E	IO-360-B4A	L-33094-51E	IO-360-B4A	L-37151-51E
IO-360-B1G6	L-39694-51E	IO-360-B4A	L-33155-51E	IO-360-B4A	L-37153-51E
IO-360-B1G6	L-39724-51E	IO-360-B4A	L-33160-51E	IO-360-B4A	L-37156-51E
IO-360-B1G6	L-39767-51E	IO-360-B4A	L-33203-51E	IO-360-B4A	L-37239-51E
IO-360-B1G6	L-39772-51E	IO-360-B4A	L-33329-51E	IO-360-B4A	L-37263-51E
IO-360-B1G6	L-39800-51E	IO-360-B4A	L-33405-51E	IO-360-B4A	L-37270-51E
IO-360-B1G6	L-39801-51E	IO-360-B4A	L-33406-51E	IO-360-B4A	L-37277-51E
IO-360-B1G6	L-39818-51E	IO-360-B4A	L-33499-51E	IO-360-B4A	L-37284-51E
IO-360-B1G6	L-39849-51E	IO-360-B4A	L-33898-51E	IO-360-B4A	L-37307-51E
IO-360-B1G6	L-39881-51E	IO-360-B4A	L-34316-51E	IO-360-B4A	L-37443-51E
IO-360-B1G6	L-39903-51E	IO-360-B4A	L-34362-51E	IO-360-B4A	L-37483-51E
IO-360-B1G6	L-39913-51E	IO-360-B4A	L-34585-51E	IO-360-B4A	L-37528-51E
IO-360-B1G6	L-39953-51E	IO-360-B4A	L-34697-51E	IO-360-B4A	L-37659-51E
IO-360-B1G6	L-39975-51E	IO-360-B4A	L-34804-51E	IO-360-B4A	L-37670-51E
IO-360-B1G6	L-39988-51E	IO-360-B4A	L-34844-51E	IO-360-B4A	L-37671-51E
IO-360-B1G6	L-40007-51E	IO-360-B4A	L-34885-51E	IO-360-B4A	L-37697-51E
IO-360-B1G6	L-40031-51E	IO-360-B4A	L-34928-51E	IO-360-B4A	L-37701-51E
IO-360-B1G6	L-40039-51E	IO-360-B4A	L-35308-51E	IO-360-B4A	L-37709-51E
IO-360-B1G6	L-40048-51E	IO-360-B4A	L-35455-51E	IO-360-B4A	L-37711-51E
IO-360-B1G6	L-40061-51E	IO-360-B4A	L-35748-51E	IO-360-B4A	L-37715-51E
IO-360-B1G6	L-40068-51E	IO-360-B4A	L-35771-51E	IO-360-B4A	L-37717-51E
IO-360-B1G6	L-40084-51E	IO-360-B4A	L-35866-51E	IO-360-B4A	L-37726-51E
IO-360-B1G6	L-40110-51E	IO-360-B4A	L-35955-51E	IO-360-B4A	L-37784-51E
IO-360-B1G6	L-40124-51E	IO-360-B4A	L-36061-51E	IO-360-B4A	L-38215-51E
IO-360-B1G6	RL-27300-51E	IO-360-B4A	L-36123-51E	IO-360-B4A	L-38291-51E
IO-360-B1G6	RL-33628-51E	IO-360-B4A	L-36137-51E	IO-360-B4A	L-38297-51E
IO-360-B1G6	RL-34196-51E	IO-360-B4A	L-36159-51E	IO-360-B4A	L-38302-51E
IO-360-B1G6	RL-36635-51E	IO-360-B4A	L-36197-51E	IO-360-B4A	L-38322-51E
IO-360-B1G6	RL-39580-51E	IO-360-B4A	L-36252-51E	IO-360-B4A	L-38334-51E
IO-360-B1G6	RL-7056-51E	IO-360-B4A	L-36284-51E	IO-360-B4A	L-38337-51E
IO-360-B4A	L-15308-51E	IO-360-B4A	L-36287-51E	IO-360-B4A	L-38356-51E
IO-360-B4A	L-15662-51E	IO-360-B4A	L-36304-51E	IO-360-B4A	L-38367-51E
IO-360-B4A	L-22988-51E	IO-360-B4A	L-36336-51E	IO-360-B4A	L-38372-51E
IO-360-B4A	L-22990-51E	IO-360-B4A	L-36396-51E	IO-360-B4A	L-38373-51E
IO-360-B4A	L-23646-51E	IO-360-B4A	L-36407-51E	IO-360-B4A	L-38396-51E
IO-360-B4A	L-27259-51E	IO-360-B4A	L-36411-51E	IO-360-B4A	L-38404-51E
IO-360-B4A	L-27316-51E	IO-360-B4A	L-36621-51E	IO-360-B4A	L-38406-51E
IO-360-B4A	L-28676-51E	IO-360-B4A	L-36638-51E	IO-360-B4A	L-38409-51E
IO-360-B4A	L-28932-51E	IO-360-B4A	L-36747-51E	IO-360-B4A	L-38439-51E
IO-360-B4A	L-30282-51E	IO-360-B4A	L-36912-51E	IO-360-B4A	L-38443-51E
IO-360-B4A	L-30298-51E	IO-360-B4A	L-36957-51E	IO-360-B4A	L-38463-51E
IO-360-B4A	L-30395-51E	IO-360-B4A	L-36991-51E	IO-360-B4A	L-38713-51E
IO-360-B4A	L-30438-51E	IO-360-B4A	L-37036-51E	IO-360-B4A	L-38880-51E

ISSUED			REVISED			PAGE NO.	REVISION	S.B. 659
MO	DAY	YEAR	MO	DAY	YEAR	11 of 41	--	
02	20	25	--	--	--			

Table 1 (Cont.)
Engine Models and Serial Numbers of Affected Engines in Section 1

Engine Model	Serial Number	Engine Model	Serial Number	Engine Model	Serial Number
IO-360-B4A	L-39188-51E	IO-360-B4A	L-39383-51E	IO-360-B4A	L-39537-51E
IO-360-B4A	L-39189-51E	IO-360-B4A	L-39384-51E	IO-360-B4A	L-39538-51E
IO-360-B4A	L-39191-51E	IO-360-B4A	L-39385-51E	IO-360-B4A	L-39539-51E
IO-360-B4A	L-39194-51E	IO-360-B4A	L-39387-51E	IO-360-B4A	L-39540-51E
IO-360-B4A	L-39195-51E	IO-360-B4A	L-39388-51E	IO-360-B4A	L-39541-51E
IO-360-B4A	L-39196-51E	IO-360-B4A	L-39389-51E	IO-360-B4A	L-39558-51E
IO-360-B4A	L-39201-51E	IO-360-B4A	L-39390-51E	IO-360-B4A	L-39559-51E
IO-360-B4A	L-39203-51E	IO-360-B4A	L-39391-51E	IO-360-B4A	L-39560-51E
IO-360-B4A	L-39204-51E	IO-360-B4A	L-39392-51E	IO-360-B4A	L-39561-51E
IO-360-B4A	L-39205-51E	IO-360-B4A	L-39393-51E	IO-360-B4A	L-39562-51E
IO-360-B4A	L-39206-51E	IO-360-B4A	L-39411-51E	IO-360-B4A	L-39563-51E
IO-360-B4A	L-39230-51E	IO-360-B4A	L-39412-51E	IO-360-B4A	L-39564-51E
IO-360-B4A	L-39231-51E	IO-360-B4A	L-39413-51E	IO-360-B4A	L-39565-51E
IO-360-B4A	L-39232-51E	IO-360-B4A	L-39414-51E	IO-360-B4A	L-39566-51E
IO-360-B4A	L-39238-51E	IO-360-B4A	L-39415-51E	IO-360-B4A	L-39567-51E
IO-360-B4A	L-39257-51E	IO-360-B4A	L-39425-51E	IO-360-B4A	L-39568-51E
IO-360-B4A	L-39259-51E	IO-360-B4A	L-39426-51E	IO-360-B4A	L-39599-51E
IO-360-B4A	L-39268-51E	IO-360-B4A	L-39427-51E	IO-360-B4A	L-39601-51E
IO-360-B4A	L-39279-51E	IO-360-B4A	L-39440-51E	IO-360-B4A	L-39614-51E
IO-360-B4A	L-39280-51E	IO-360-B4A	L-39441-51E	IO-360-B4A	L-39616-51E
IO-360-B4A	L-39293-51E	IO-360-B4A	L-39442-51E	IO-360-B4A	L-39617-51E
IO-360-B4A	L-39294-51E	IO-360-B4A	L-39443-51E	IO-360-B4A	L-39629-51E
IO-360-B4A	L-39295-51E	IO-360-B4A	L-39444-51E	IO-360-B4A	L-39635-51E
IO-360-B4A	L-39296-51E	IO-360-B4A	L-39445-51E	IO-360-B4A	L-39636-51E
IO-360-B4A	L-39297-51E	IO-360-B4A	L-39459-51E	IO-360-B4A	L-39640-51E
IO-360-B4A	L-39306-51E	IO-360-B4A	L-39460-51E	IO-360-B4A	L-39650-51E
IO-360-B4A	L-39310-51E	IO-360-B4A	L-39461-51E	IO-360-B4A	L-39651-51E
IO-360-B4A	L-39311-51E	IO-360-B4A	L-39462-51E	IO-360-B4A	L-39652-51E
IO-360-B4A	L-39312-51E	IO-360-B4A	L-39465-51E	IO-360-B4A	L-39653-51E
IO-360-B4A	L-39313-51E	IO-360-B4A	L-39466-51E	IO-360-B4A	L-39654-51E
IO-360-B4A	L-39314-51E	IO-360-B4A	L-39476-51E	IO-360-B4A	L-39662-51E
IO-360-B4A	L-39316-51E	IO-360-B4A	L-39478-51E	IO-360-B4A	L-39663-51E
IO-360-B4A	L-39320-51E	IO-360-B4A	L-39479-51E	IO-360-B4A	L-39664-51E
IO-360-B4A	L-39323-51E	IO-360-B4A	L-39480-51E	IO-360-B4A	L-39665-51E
IO-360-B4A	L-39332-51E	IO-360-B4A	L-39484-51E	IO-360-B4A	L-39667-51E
IO-360-B4A	L-39333-51E	IO-360-B4A	L-39485-51E	IO-360-B4A	L-39668-51E
IO-360-B4A	L-39334-51E	IO-360-B4A	L-39486-51E	IO-360-B4A	L-39669-51E
IO-360-B4A	L-39347-51E	IO-360-B4A	L-39507-51E	IO-360-B4A	L-39670-51E
IO-360-B4A	L-39348-51E	IO-360-B4A	L-39514-51E	IO-360-B4A	L-39671-51E
IO-360-B4A	L-39349-51E	IO-360-B4A	L-39515-51E	IO-360-B4A	L-39672-51E
IO-360-B4A	L-39350-51E	IO-360-B4A	L-39516-51E	IO-360-B4A	L-39673-51E
IO-360-B4A	L-39351-51E	IO-360-B4A	L-39517-51E	IO-360-B4A	L-39674-51E
IO-360-B4A	L-39352-51E	IO-360-B4A	L-39518-51E	IO-360-B4A	L-39675-51E
IO-360-B4A	L-39353-51E	IO-360-B4A	L-39519-51E	IO-360-B4A	L-39676-51E
IO-360-B4A	L-39366-51E	IO-360-B4A	L-39528-51E	IO-360-B4A	L-39677-51E
IO-360-B4A	L-39367-51E	IO-360-B4A	L-39530-51E	IO-360-B4A	L-39680-51E
IO-360-B4A	L-39368-51E	IO-360-B4A	L-39531-51E	IO-360-B4A	L-39702-51E
IO-360-B4A	L-39381-51E	IO-360-B4A	L-39533-51E	IO-360-B4A	L-39703-51E
IO-360-B4A	L-39382-51E	IO-360-B4A	L-39534-51E	IO-360-B4A	L-39704-51E

ISSUED			REVISED			PAGE NO.	REVISION	S.B. 659
MO	DAY	YEAR	MO	DAY	YEAR			
02	20	25	--	--	--	12 of 41	--	

Table 1 (Cont.)
Engine Models and Serial Numbers of Affected Engines in Section 1

Engine Model	Serial Number	Engine Model	Serial Number	Engine Model	Serial Number
IO-360-B4A	L-39719-51E	IO-360-B4A	L-39845-51E	IO-360-B4A	L-39995-51E
IO-360-B4A	L-39720-51E	IO-360-B4A	L-39846-51E	IO-360-B4A	L-39996-51E
IO-360-B4A	L-39721-51E	IO-360-B4A	L-39850-51E	IO-360-B4A	L-39998-51E
IO-360-B4A	L-39725-51E	IO-360-B4A	L-39864-51E	IO-360-B4A	L-39999-51E
IO-360-B4A	L-39726-51E	IO-360-B4A	L-39866-51E	IO-360-B4A	L-40004-51E
IO-360-B4A	L-39727-51E	IO-360-B4A	L-39867-51E	IO-360-B4A	L-40005-51E
IO-360-B4A	L-39730-51E	IO-360-B4A	L-39868-51E	IO-360-B4A	L-40010-51E
IO-360-B4A	L-39731-51E	IO-360-B4A	L-39869-51E	IO-360-B4A	L-40011-51E
IO-360-B4A	L-39732-51E	IO-360-B4A	L-39870-51E	IO-360-B4A	L-40012-51E
IO-360-B4A	L-39733-51E	IO-360-B4A	L-39874-51E	IO-360-B4A	L-40013-51E
IO-360-B4A	L-39734-51E	IO-360-B4A	L-39883-51E	IO-360-B4A	L-40014-51E
IO-360-B4A	L-39740-51E	IO-360-B4A	L-39884-51E	IO-360-B4A	L-40015-51E
IO-360-B4A	L-39741-51E	IO-360-B4A	L-39885-51E	IO-360-B4A	L-40016-51E
IO-360-B4A	L-39747-51E	IO-360-B4A	L-39886-51E	IO-360-B4A	L-40027-51E
IO-360-B4A	L-39748-51E	IO-360-B4A	L-39893-51E	IO-360-B4A	L-40028-51E
IO-360-B4A	L-39749-51E	IO-360-B4A	L-39895-51E	IO-360-B4A	L-40029-51E
IO-360-B4A	L-39750-51E	IO-360-B4A	L-39896-51E	IO-360-B4A	L-40030-51E
IO-360-B4A	L-39760-51E	IO-360-B4A	L-39897-51E	IO-360-B4A	L-40032-51E
IO-360-B4A	L-39761-51E	IO-360-B4A	L-39904-51E	IO-360-B4A	L-40033-51E
IO-360-B4A	L-39762-51E	IO-360-B4A	L-39905-51E	IO-360-B4A	L-40034-51E
IO-360-B4A	L-39763-51E	IO-360-B4A	L-39910-51E	IO-360-B4A	L-40036-51E
IO-360-B4A	L-39764-51E	IO-360-B4A	L-39917-51E	IO-360-B4A	L-40043-51E
IO-360-B4A	L-39765-51E	IO-360-B4A	L-39918-51E	IO-360-B4A	L-40044-51E
IO-360-B4A	L-39766-51E	IO-360-B4A	L-39919-51E	IO-360-B4A	L-40051-51E
IO-360-B4A	L-39774-51E	IO-360-B4A	L-39920-51E	IO-360-B4A	L-40059-51E
IO-360-B4A	L-39782-51E	IO-360-B4A	L-39924-51E	IO-360-B4A	L-40060-51E
IO-360-B4A	L-39783-51E	IO-360-B4A	L-39944-51E	IO-360-B4A	L-40062-51E
IO-360-B4A	L-39785-51E	IO-360-B4A	L-39945-51E	IO-360-B4A	L-40064-51E
IO-360-B4A	L-39786-51E	IO-360-B4A	L-39954-51E	IO-360-B4A	L-40065-51E
IO-360-B4A	L-39788-51E	IO-360-B4A	L-39955-51E	IO-360-B4A	L-40067-51E
IO-360-B4A	L-39789-51E	IO-360-B4A	L-39956-51E	IO-360-B4A	L-40069-51E
IO-360-B4A	L-39791-51E	IO-360-B4A	L-39957-51E	IO-360-B4A	L-40070-51E
IO-360-B4A	L-39797-51E	IO-360-B4A	L-39962-51E	IO-360-B4A	L-40079-51E
IO-360-B4A	L-39798-51E	IO-360-B4A	L-39963-51E	IO-360-B4A	L-40080-51E
IO-360-B4A	L-39809-51E	IO-360-B4A	L-39964-51E	IO-360-B4A	L-40085-51E
IO-360-B4A	L-39810-51E	IO-360-B4A	L-39965-51E	IO-360-B4A	L-40086-51E
IO-360-B4A	L-39811-51E	IO-360-B4A	L-39966-51E	IO-360-B4A	L-40088-51E
IO-360-B4A	L-39812-51E	IO-360-B4A	L-39967-51E	IO-360-B4A	L-40090-51E
IO-360-B4A	L-39817-51E	IO-360-B4A	L-39972-51E	IO-360-B4A	L-40091-51E
IO-360-B4A	L-39821-51E	IO-360-B4A	L-39973-51E	IO-360-B4A	L-40092-51E
IO-360-B4A	L-39823-51E	IO-360-B4A	L-39974-51E	IO-360-B4A	L-40093-51E
IO-360-B4A	L-39824-51E	IO-360-B4A	L-39976-51E	IO-360-B4A	L-40107-51E
IO-360-B4A	L-39825-51E	IO-360-B4A	L-39977-51E	IO-360-B4A	L-40109-51E
IO-360-B4A	L-39826-51E	IO-360-B4A	L-39985-51E	IO-360-B4A	L-5386-51E
IO-360-B4A	L-39827-51E	IO-360-B4A	L-39986-51E	IO-360-B4A	L-5661-51E
IO-360-B4A	L-39834-51E	IO-360-B4A	L-39987-51E	IO-360-B4A	L-5928-51E
IO-360-B4A	L-39842-51E	IO-360-B4A	L-39989-51E	IO-360-B4A	L-6682-51E
IO-360-B4A	L-39843-51E	IO-360-B4A	L-39990-51E	IO-360-B4A	L-9642-51E
IO-360-B4A	L-39844-51E	IO-360-B4A	L-39993-51E	IO-360-B4A	L-9948-51E

ISSUED			REVISED			PAGE NO.	REVISION	S.B. 659
MO	DAY	YEAR	MO	DAY	YEAR	13 of 41	--	
02	20	25	--	--	--			

Table 1 (Cont.)
Engine Models and Serial Numbers of Affected Engines in Section 1

Engine Model	Serial Number	Engine Model	Serial Number	Engine Model	Serial Number
IO-360-B4A	RL-10261-51E	IO-360-C1C6	RL-28414-51E	IO-360-L2A	L-25818-51E
IO-360-B4A	RL-14138-51E	IO-360-C1C6	RL-30447-51E	IO-360-L2A	L-25829-51E
IO-360-B4A	RL-18475-51E	IO-360-C1C6	RL-30519-51E	IO-360-L2A	L-26300-51E
IO-360-B4A	RL-18603-51E	IO-360-C1C6	RL-35762-51E	IO-360-L2A	L-26918-51E
IO-360-B4A	RL-22596-51E	IO-360-C1C6	RL-37172-51E	IO-360-L2A	L-27076-51E
IO-360-B4A	RL-22734-51E	IO-360-C1C6	RL-37548-51E	IO-360-L2A	L-27128-51E
IO-360-B4A	RL-27353-51E	IO-360-C1C6	RL-37888-51E	IO-360-L2A	L-27144-51E
IO-360-B4A	RL-27663-51E	IO-360-C1C6	RL-5543-51E	IO-360-L2A	L-27148-51E
IO-360-B4A	RL-29478-51E	IO-360-C1C6	RL-8849-51E	IO-360-L2A	L-27498-51E
IO-360-B4A	RL-30119-51E	IO-360-C1E6	L-29674-51E	IO-360-L2A	L-27601-51E
IO-360-B4A	RL-30558-51E	IO-360-C1E6	L-34557-51E	IO-360-L2A	L-27908-51E
IO-360-B4A	RL-31539-51E	IO-360-C1E6	L-35675-51E	IO-360-L2A	L-27956-51E
IO-360-B4A	RL-31923-51E	IO-360-C1E6	L-36646-51E	IO-360-L2A	L-28287-51E
IO-360-B4A	RL-31984-51E	IO-360-C1E6	L-38369-51E	IO-360-L2A	L-28350-51E
IO-360-B4A	RL-32237-51E	IO-360-C1E6	L-38403-51E	IO-360-L2A	L-28599-51E
IO-360-B4A	RL-33437-51E	IO-360-C1G6	RL-21068-51E	IO-360-L2A	L-28612-51E
IO-360-B4A	RL-33691-51E	IO-360-C1G6	RL-28344-51E	IO-360-L2A	L-28649-51E
IO-360-B4A	RL-34861-51E	IO-360-C1G6	RL-28659-51E	IO-360-L2A	L-28806-51E
IO-360-B4A	RL-36059-51E	IO-360-C1G6	RL-30589-51E	IO-360-L2A	L-28988-51E
IO-360-B4A	RL-36314-51E	IO-360-C1G6	RL-30902-51E	IO-360-L2A	L-29206-51E
IO-360-B4A	RL-36723-51E	IO-360-C1G6	RL-31059-51E	IO-360-L2A	L-29296-51E
IO-360-B4A	RL-39715-51E	IO-360-C1G6	RL-31646-51E	IO-360-L2A	L-29459-51E
IO-360-B4A	RL-6603-51E	IO-360-C1G6	RL-33810-51E	IO-360-L2A	L-29614-51E
IO-360-B4A	RL-6974-51E	IO-360-C1G6	RL-34822-51E	IO-360-L2A	L-29653-51E
IO-360-B4A	RL-8075-51E	IO-360-C1G6	RL-35738-51E	IO-360-L2A	L-30090-51E
IO-360-B4A	RL-8563-51E	IO-360-C1G6	RL-36057-51E	IO-360-L2A	L-30292-51E
IO-360-C1C	L-25393-51E	IO-360-L2A	L-10276-51E	IO-360-L2A	L-30627-51E
IO-360-C1C	L-32319-51E	IO-360-L2A	L-1060-51E	IO-360-L2A	L-30668-51E
IO-360-C1C	L-38282-51E	IO-360-L2A	L-1152-51E	IO-360-L2A	L-30854-51E
IO-360-C1C	L-6463-51E	IO-360-L2A	L-12138-51E	IO-360-L2A	L-31127-51E
IO-360-C1C	RL-13097-51E	IO-360-L2A	L-14224-51E	IO-360-L2A	L-31204-51E
IO-360-C1C	RL-13243-51E	IO-360-L2A	L-15825-51E	IO-360-L2A	L-31331-51E
IO-360-C1C	RL-22868-51E	IO-360-L2A	L-17114-51E	IO-360-L2A	L-31352-51E
IO-360-C1C	RL-23899-51E	IO-360-L2A	L-17617-51E	IO-360-L2A	L-31429-51E
IO-360-C1C	RL-34673-51E	IO-360-L2A	L-17776-51E	IO-360-L2A	L-31512-51E
IO-360-C1C	RL-37410-51E	IO-360-L2A	L-20900-51E	IO-360-L2A	L-31850-51E
IO-360-C1C6	L-32068-51E	IO-360-L2A	L-21604-51E	IO-360-L2A	L-31907-51E
IO-360-C1C6	L-32270-51E	IO-360-L2A	L-21929-51E	IO-360-L2A	L-32070-51E
IO-360-C1C6	L-32606-51E	IO-360-L2A	L-22716-51E	IO-360-L2A	L-32158-51E
IO-360-C1C6	L-32721-51E	IO-360-L2A	L-22875-51E	IO-360-L2A	L-32333-51E
IO-360-C1C6	L-33285-51E	IO-360-L2A	L-22973-51E	IO-360-L2A	L-32361-51E
IO-360-C1C6	L-34509-51E	IO-360-L2A	L-23103-51E	IO-360-L2A	L-32436-51E
IO-360-C1C6	L-37519-51E	IO-360-L2A	L-23235-51E	IO-360-L2A	L-32448-51E
IO-360-C1C6	L-37888-51E	IO-360-L2A	L-23750-51E	IO-360-L2A	L-32603-51E
IO-360-C1C6	RL-18880-51E	IO-360-L2A	L-24065-51E	IO-360-L2A	L-32797-51E
IO-360-C1C6	RL-19775-51E	IO-360-L2A	L-24194-51E	IO-360-L2A	L-32866-51E
IO-360-C1C6	RL-24331-51E	IO-360-L2A	L-24315-51E	IO-360-L2A	L-32886-51E
IO-360-C1C6	RL-25607-51E	IO-360-L2A	L-25181-51E	IO-360-L2A	L-32918-51E
IO-360-C1C6	RL-27235-51E	IO-360-L2A	L-25710-51E	IO-360-L2A	L-33072-51E

ISSUED			REVISED			PAGE NO.	REVISION	S.B. 659
MO	DAY	YEAR	MO	DAY	YEAR			
02	20	25	--	--	--	14 of 41	--	

**Table 1 (Cont.)
Engine Models and Serial Numbers of Affected Engines in Section 1**

Engine Model	Serial Number	Engine Model	Serial Number	Engine Model	Serial Number
IO-360-L2A	L-33084-51E	IO-360-L2A	L-36249-51E	IO-360-L2A	L-37409-51E
IO-360-L2A	L-33114-51E	IO-360-L2A	L-36291-51E	IO-360-L2A	L-37413-51E
IO-360-L2A	L-33234-51E	IO-360-L2A	L-36295-51E	IO-360-L2A	L-37426-51E
IO-360-L2A	L-33331-51E	IO-360-L2A	L-36298-51E	IO-360-L2A	L-37432-51E
IO-360-L2A	L-33393-51E	IO-360-L2A	L-36306-51E	IO-360-L2A	L-37471-51E
IO-360-L2A	L-33491-51E	IO-360-L2A	L-36307-51E	IO-360-L2A	L-37487-51E
IO-360-L2A	L-33657-51E	IO-360-L2A	L-36313-51E	IO-360-L2A	L-37489-51E
IO-360-L2A	L-33674-51E	IO-360-L2A	L-36315-51E	IO-360-L2A	L-37494-51E
IO-360-L2A	L-33735-51E	IO-360-L2A	L-36399-51E	IO-360-L2A	L-37510-51E
IO-360-L2A	L-33799-51E	IO-360-L2A	L-36410-51E	IO-360-L2A	L-37511-51E
IO-360-L2A	L-33831-51E	IO-360-L2A	L-36415-51E	IO-360-L2A	L-37514-51E
IO-360-L2A	L-33868-51E	IO-360-L2A	L-36419-51E	IO-360-L2A	L-37516-51E
IO-360-L2A	L-33907-51E	IO-360-L2A	L-36490-51E	IO-360-L2A	L-37536-51E
IO-360-L2A	L-33955-51E	IO-360-L2A	L-36510-51E	IO-360-L2A	L-37550-51E
IO-360-L2A	L-33958-51E	IO-360-L2A	L-36525-51E	IO-360-L2A	L-37561-51E
IO-360-L2A	L-34047-51E	IO-360-L2A	L-36578-51E	IO-360-L2A	L-37613-51E
IO-360-L2A	L-34172-51E	IO-360-L2A	L-36596-51E	IO-360-L2A	L-37626-51E
IO-360-L2A	L-34174-51E	IO-360-L2A	L-36597-51E	IO-360-L2A	L-37641-51E
IO-360-L2A	L-34258-51E	IO-360-L2A	L-36659-51E	IO-360-L2A	L-37679-51E
IO-360-L2A	L-34275-51E	IO-360-L2A	L-36662-51E	IO-360-L2A	L-37680-51E
IO-360-L2A	L-34284-51E	IO-360-L2A	L-36696-51E	IO-360-L2A	L-37684-51E
IO-360-L2A	L-34297-51E	IO-360-L2A	L-36697-51E	IO-360-L2A	L-37760-51E
IO-360-L2A	L-34501-51E	IO-360-L2A	L-36708-51E	IO-360-L2A	L-37766-51E
IO-360-L2A	L-34561-51E	IO-360-L2A	L-36762-51E	IO-360-L2A	L-37779-51E
IO-360-L2A	L-34565-51E	IO-360-L2A	L-36808-51E	IO-360-L2A	L-37786-51E
IO-360-L2A	L-34605-51E	IO-360-L2A	L-36813-51E	IO-360-L2A	L-37793-51E
IO-360-L2A	L-34681-51E	IO-360-L2A	L-36981-51E	IO-360-L2A	L-37794-51E
IO-360-L2A	L-34762-51E	IO-360-L2A	L-37001-51E	IO-360-L2A	L-37799-51E
IO-360-L2A	L-34797-51E	IO-360-L2A	L-37005-51E	IO-360-L2A	L-37824-51E
IO-360-L2A	L-34864-51E	IO-360-L2A	L-37074-51E	IO-360-L2A	L-37837-51E
IO-360-L2A	L-35169-51E	IO-360-L2A	L-37082-51E	IO-360-L2A	L-37838-51E
IO-360-L2A	L-35267-51E	IO-360-L2A	L-37099-51E	IO-360-L2A	L-37859-51E
IO-360-L2A	L-35493-51E	IO-360-L2A	L-37100-51E	IO-360-L2A	L-37892-51E
IO-360-L2A	L-35524-51E	IO-360-L2A	L-37149-51E	IO-360-L2A	L-37917-51E
IO-360-L2A	L-35600-51E	IO-360-L2A	L-37160-51E	IO-360-L2A	L-38021-51E
IO-360-L2A	L-35653-51E	IO-360-L2A	L-37186-51E	IO-360-L2A	L-38024-51E
IO-360-L2A	L-35682-51E	IO-360-L2A	L-37200-51E	IO-360-L2A	L-38051-51E
IO-360-L2A	L-35687-51E	IO-360-L2A	L-37205-51E	IO-360-L2A	L-38128-51E
IO-360-L2A	L-35688-51E	IO-360-L2A	L-37229-51E	IO-360-L2A	L-38180-51E
IO-360-L2A	L-35729-51E	IO-360-L2A	L-37265-51E	IO-360-L2A	L-38182-51E
IO-360-L2A	L-35730-51E	IO-360-L2A	L-37286-51E	IO-360-L2A	L-38284-51E
IO-360-L2A	L-35752-51E	IO-360-L2A	L-37287-51E	IO-360-L2A	L-38290-51E
IO-360-L2A	L-35820-51E	IO-360-L2A	L-37292-51E	IO-360-L2A	L-38293-51E
IO-360-L2A	L-35912-51E	IO-360-L2A	L-37308-51E	IO-360-L2A	L-38296-51E
IO-360-L2A	L-35913-51E	IO-360-L2A	L-37381-51E	IO-360-L2A	L-38301-51E
IO-360-L2A	L-36023-51E	IO-360-L2A	L-37385-51E	IO-360-L2A	L-38308-51E
IO-360-L2A	L-36078-51E	IO-360-L2A	L-37390-51E	IO-360-L2A	L-38316-51E
IO-360-L2A	L-36125-51E	IO-360-L2A	L-37405-51E	IO-360-L2A	L-38325-51E
IO-360-L2A	L-36209-51E	IO-360-L2A	L-37408-51E	IO-360-L2A	L-38330-51E

ISSUED			REVISED			PAGE NO.	REVISION	S.B. 659
MO	DAY	YEAR	MO	DAY	YEAR	15 of 41	--	
02	20	25	--	--	--			

Table 1 (Cont.)
Engine Models and Serial Numbers of Affected Engines in Section 1

Engine Model	Serial Number	Engine Model	Serial Number	Engine Model	Serial Number
IO-360-L2A	L-38332-51E	IO-360-L2A	L-39274-51E	IO-360-L2A	L-39394-51E
IO-360-L2A	L-38335-51E	IO-360-L2A	L-39275-51E	IO-360-L2A	L-39395-51E
IO-360-L2A	L-38347-51E	IO-360-L2A	L-39276-51E	IO-360-L2A	L-39396-51E
IO-360-L2A	L-38349-51E	IO-360-L2A	L-39277-51E	IO-360-L2A	L-39397-51E
IO-360-L2A	L-38350-51E	IO-360-L2A	L-39290-51E	IO-360-L2A	L-39398-51E
IO-360-L2A	L-38377-51E	IO-360-L2A	L-39292-51E	IO-360-L2A	L-39399-51E
IO-360-L2A	L-38395-51E	IO-360-L2A	L-39300-51E	IO-360-L2A	L-39400-51E
IO-360-L2A	L-38461-51E	IO-360-L2A	L-39301-51E	IO-360-L2A	L-39403-51E
IO-360-L2A	L-38471-51E	IO-360-L2A	L-39302-51E	IO-360-L2A	L-39404-51E
IO-360-L2A	L-38473-51E	IO-360-L2A	L-39303-51E	IO-360-L2A	L-39405-51E
IO-360-L2A	L-38488-51E	IO-360-L2A	L-39304-51E	IO-360-L2A	L-39406-51E
IO-360-L2A	L-38508-51E	IO-360-L2A	L-39305-51E	IO-360-L2A	L-39407-51E
IO-360-L2A	L-39186-51E	IO-360-L2A	L-39317-51E	IO-360-L2A	L-39408-51E
IO-360-L2A	L-39197-51E	IO-360-L2A	L-39318-51E	IO-360-L2A	L-39409-51E
IO-360-L2A	L-39198-51E	IO-360-L2A	L-39319-51E	IO-360-L2A	L-39410-51E
IO-360-L2A	L-39199-51E	IO-360-L2A	L-39321-51E	IO-360-L2A	L-39429-51E
IO-360-L2A	L-39200-51E	IO-360-L2A	L-39322-51E	IO-360-L2A	L-39430-51E
IO-360-L2A	L-39207-51E	IO-360-L2A	L-39324-51E	IO-360-L2A	L-39431-51E
IO-360-L2A	L-39208-51E	IO-360-L2A	L-39325-51E	IO-360-L2A	L-39432-51E
IO-360-L2A	L-39210-51E	IO-360-L2A	L-39326-51E	IO-360-L2A	L-39433-51E
IO-360-L2A	L-39211-51E	IO-360-L2A	L-39327-51E	IO-360-L2A	L-39434-51E
IO-360-L2A	L-39215-51E	IO-360-L2A	L-39328-51E	IO-360-L2A	L-39435-51E
IO-360-L2A	L-39216-51E	IO-360-L2A	L-39329-51E	IO-360-L2A	L-39436-51E
IO-360-L2A	L-39217-51E	IO-360-L2A	L-39330-51E	IO-360-L2A	L-39437-51E
IO-360-L2A	L-39218-51E	IO-360-L2A	L-39337-51E	IO-360-L2A	L-39438-51E
IO-360-L2A	L-39219-51E	IO-360-L2A	L-39338-51E	IO-360-L2A	L-39439-51E
IO-360-L2A	L-39220-51E	IO-360-L2A	L-39339-51E	IO-360-L2A	L-39467-51E
IO-360-L2A	L-39221-51E	IO-360-L2A	L-39340-51E	IO-360-L2A	L-39468-51E
IO-360-L2A	L-39222-51E	IO-360-L2A	L-39341-51E	IO-360-L2A	L-39469-51E
IO-360-L2A	L-39223-51E	IO-360-L2A	L-39342-51E	IO-360-L2A	L-39470-51E
IO-360-L2A	L-39234-51E	IO-360-L2A	L-39343-51E	IO-360-L2A	L-39471-51E
IO-360-L2A	L-39243-51E	IO-360-L2A	L-39344-51E	IO-360-L2A	L-39472-51E
IO-360-L2A	L-39244-51E	IO-360-L2A	L-39345-51E	IO-360-L2A	L-39473-51E
IO-360-L2A	L-39245-51E	IO-360-L2A	L-39359-51E	IO-360-L2A	L-39474-51E
IO-360-L2A	L-39246-51E	IO-360-L2A	L-39360-51E	IO-360-L2A	L-39488-51E
IO-360-L2A	L-39247-51E	IO-360-L2A	L-39361-51E	IO-360-L2A	L-39489-51E
IO-360-L2A	L-39248-51E	IO-360-L2A	L-39362-51E	IO-360-L2A	L-39490-51E
IO-360-L2A	L-39249-51E	IO-360-L2A	L-39363-51E	IO-360-L2A	L-39491-51E
IO-360-L2A	L-39250-51E	IO-360-L2A	L-39364-51E	IO-360-L2A	L-39492-51E
IO-360-L2A	L-39260-51E	IO-360-L2A	L-39365-51E	IO-360-L2A	L-39493-51E
IO-360-L2A	L-39261-51E	IO-360-L2A	L-39370-51E	IO-360-L2A	L-39494-51E
IO-360-L2A	L-39262-51E	IO-360-L2A	L-39371-51E	IO-360-L2A	L-39523-51E
IO-360-L2A	L-39263-51E	IO-360-L2A	L-39372-51E	IO-360-L2A	L-39524-51E
IO-360-L2A	L-39264-51E	IO-360-L2A	L-39373-51E	IO-360-L2A	L-39525-51E
IO-360-L2A	L-39269-51E	IO-360-L2A	L-39374-51E	IO-360-L2A	L-39526-51E
IO-360-L2A	L-39270-51E	IO-360-L2A	L-39375-51E	IO-360-L2A	L-39542-51E
IO-360-L2A	L-39271-51E	IO-360-L2A	L-39376-51E	IO-360-L2A	L-39543-51E
IO-360-L2A	L-39272-51E	IO-360-L2A	L-39377-51E	IO-360-L2A	L-39544-51E
IO-360-L2A	L-39273-51E	IO-360-L2A	L-39378-51E	IO-360-L2A	L-39545-51E

ISSUED			REVISED			PAGE NO.	REVISION	S.B. 659
MO	DAY	YEAR	MO	DAY	YEAR			
02	20	25	--	--	--	16 of 41	--	

**Table 1 (Cont.)
Engine Models and Serial Numbers of Affected Engines in Section 1**

Engine Model	Serial Number	Engine Model	Serial Number	Engine Model	Serial Number
IO-360-L2A	L-39547-51E	IO-360-L2A	L-39697-51E	IO-360-L2A	L-39871-51E
IO-360-L2A	L-39548-51E	IO-360-L2A	L-39698-51E	IO-360-L2A	L-39872-51E
IO-360-L2A	L-39549-51E	IO-360-L2A	L-39699-51E	IO-360-L2A	L-39873-51E
IO-360-L2A	L-39550-51E	IO-360-L2A	L-39700-51E	IO-360-L2A	L-39875-51E
IO-360-L2A	L-39553-51E	IO-360-L2A	L-39705-51E	IO-360-L2A	L-39876-51E
IO-360-L2A	L-39554-51E	IO-360-L2A	L-39706-51E	IO-360-L2A	L-39877-51E
IO-360-L2A	L-39557-51E	IO-360-L2A	L-39707-51E	IO-360-L2A	L-39878-51E
IO-360-L2A	L-39571-51E	IO-360-L2A	L-39708-51E	IO-360-L2A	L-39879-51E
IO-360-L2A	L-39572-51E	IO-360-L2A	L-39709-51E	IO-360-L2A	L-39892-51E
IO-360-L2A	L-39573-51E	IO-360-L2A	L-39710-51E	IO-360-L2A	L-39898-51E
IO-360-L2A	L-39574-51E	IO-360-L2A	L-39743-51E	IO-360-L2A	L-39899-51E
IO-360-L2A	L-39575-51E	IO-360-L2A	L-39744-51E	IO-360-L2A	L-39900-51E
IO-360-L2A	L-39576-51E	IO-360-L2A	L-39745-51E	IO-360-L2A	L-39901-51E
IO-360-L2A	L-39577-51E	IO-360-L2A	L-39746-51E	IO-360-L2A	L-39906-51E
IO-360-L2A	L-39578-51E	IO-360-L2A	L-39755-51E	IO-360-L2A	L-39907-51E
IO-360-L2A	L-39579-51E	IO-360-L2A	L-39756-51E	IO-360-L2A	L-39908-51E
IO-360-L2A	L-39589-51E	IO-360-L2A	L-39757-51E	IO-360-L2A	L-39909-51E
IO-360-L2A	L-39590-51E	IO-360-L2A	L-39758-51E	IO-360-L2A	L-39911-51E
IO-360-L2A	L-39591-51E	IO-360-L2A	L-39759-51E	IO-360-L2A	L-39912-51E
IO-360-L2A	L-39592-51E	IO-360-L2A	L-39775-51E	IO-360-L2A	L-39914-51E
IO-360-L2A	L-39593-51E	IO-360-L2A	L-39776-51E	IO-360-L2A	L-39915-51E
IO-360-L2A	L-39594-51E	IO-360-L2A	L-39777-51E	IO-360-L2A	L-39916-51E
IO-360-L2A	L-39595-51E	IO-360-L2A	L-39778-51E	IO-360-L2A	L-39921-51E
IO-360-L2A	L-39596-51E	IO-360-L2A	L-39779-51E	IO-360-L2A	L-39922-51E
IO-360-L2A	L-39597-51E	IO-360-L2A	L-39780-51E	IO-360-L2A	L-39923-51E
IO-360-L2A	L-39598-51E	IO-360-L2A	L-39792-51E	IO-360-L2A	L-39926-51E
IO-360-L2A	L-39619-51E	IO-360-L2A	L-39793-51E	IO-360-L2A	L-39927-51E
IO-360-L2A	L-39620-51E	IO-360-L2A	L-39794-51E	IO-360-L2A	L-39928-51E
IO-360-L2A	L-39621-51E	IO-360-L2A	L-39806-51E	IO-360-L2A	L-39929-51E
IO-360-L2A	L-39622-51E	IO-360-L2A	L-39813-51E	IO-360-L2A	L-39930-51E
IO-360-L2A	L-39623-51E	IO-360-L2A	L-39819-51E	IO-360-L2A	L-39931-51E
IO-360-L2A	L-39625-51E	IO-360-L2A	L-39820-51E	IO-360-L2A	L-39933-51E
IO-360-L2A	L-39626-51E	IO-360-L2A	L-39822-51E	IO-360-L2A	L-39934-51E
IO-360-L2A	L-39627-51E	IO-360-L2A	L-39828-51E	IO-360-L2A	L-39935-51E
IO-360-L2A	L-39643-51E	IO-360-L2A	L-39829-51E	IO-360-L2A	L-39936-51E
IO-360-L2A	L-39644-51E	IO-360-L2A	L-39830-51E	IO-360-L2A	L-39937-51E
IO-360-L2A	L-39645-51E	IO-360-L2A	L-39831-51E	IO-360-L2A	L-39938-51E
IO-360-L2A	L-39646-51E	IO-360-L2A	L-39832-51E	IO-360-L2A	L-39942-51E
IO-360-L2A	L-39647-51E	IO-360-L2A	L-39840-51E	IO-360-L2A	L-39943-51E
IO-360-L2A	L-39648-51E	IO-360-L2A	L-39851-51E	IO-360-L2A	L-39946-51E
IO-360-L2A	L-39649-51E	IO-360-L2A	L-39852-51E	IO-360-L2A	L-39947-51E
IO-360-L2A	L-39684-51E	IO-360-L2A	L-39853-51E	IO-360-L2A	L-39948-51E
IO-360-L2A	L-39685-51E	IO-360-L2A	L-39854-51E	IO-360-L2A	L-39949-51E
IO-360-L2A	L-39686-51E	IO-360-L2A	L-39855-51E	IO-360-L2A	L-39950-51E
IO-360-L2A	L-39687-51E	IO-360-L2A	L-39856-51E	IO-360-L2A	L-39951-51E
IO-360-L2A	L-39688-51E	IO-360-L2A	L-39857-51E	IO-360-L2A	L-39952-51E
IO-360-L2A	L-39689-51E	IO-360-L2A	L-39858-51E	IO-360-L2A	L-39959-51E
IO-360-L2A	L-39690-51E	IO-360-L2A	L-39859-51E	IO-360-L2A	L-39960-51E
IO-360-L2A	L-39696-51E	IO-360-L2A	L-39860-51E	IO-360-L2A	L-39961-51E

ISSUED			REVISED			PAGE NO.	REVISION	S.B. 659
MO	DAY	YEAR	MO	DAY	YEAR	17 of 41	--	
02	20	25	--	--	--			

Table 1 (Cont.)
Engine Models and Serial Numbers of Affected Engines in Section 1

Engine Model	Serial Number	Engine Model	Serial Number	Engine Model	Serial Number
IO-360-L2A	L-39969-51E	IO-360-L2A	L-40102-51E	IO-360-L2A	RL-16899-51E
IO-360-L2A	L-39970-51E	IO-360-L2A	L-40103-51E	IO-360-L2A	RL-17014-51E
IO-360-L2A	L-39971-51E	IO-360-L2A	L-40104-51E	IO-360-L2A	RL-17392-51E
IO-360-L2A	L-39978-51E	IO-360-L2A	L-40115-51E	IO-360-L2A	RL-17454-51E
IO-360-L2A	L-39979-51E	IO-360-L2A	L-40116-51E	IO-360-L2A	RL-17463-51E
IO-360-L2A	L-39980-51E	IO-360-L2A	L-40117-51E	IO-360-L2A	RL-17708-51E
IO-360-L2A	L-39981-51E	IO-360-L2A	L-40118-51E	IO-360-L2A	RL-18205-51E
IO-360-L2A	L-39982-51E	IO-360-L2A	L-40119-51E	IO-360-L2A	RL-18313-51E
IO-360-L2A	L-39983-51E	IO-360-L2A	L-40120-51E	IO-360-L2A	RL-18533-51E
IO-360-L2A	L-39992-51E	IO-360-L2A	L-40121-51E	IO-360-L2A	RL-18598-51E
IO-360-L2A	L-39994-51E	IO-360-L2A	L-40122-51E	IO-360-L2A	RL-18836-51E
IO-360-L2A	L-39997-51E	IO-360-L2A	L-40123-51E	IO-360-L2A	RL-19120-51E
IO-360-L2A	L-40001-51E	IO-360-L2A	L-40127-51E	IO-360-L2A	RL-19186-51E
IO-360-L2A	L-40002-51E	IO-360-L2A	L-40128-51E	IO-360-L2A	RL-19240-51E
IO-360-L2A	L-40006-51E	IO-360-L2A	L-40129-51E	IO-360-L2A	RL-19553-51E
IO-360-L2A	L-4001-51E	IO-360-L2A	L-40130-51E	IO-360-L2A	RL-20394-51E
IO-360-L2A	L-40018-51E	IO-360-L2A	L-40131-51E	IO-360-L2A	RL-20436-51E
IO-360-L2A	L-40019-51E	IO-360-L2A	L-40132-51E	IO-360-L2A	RL-20505-51E
IO-360-L2A	L-40020-51E	IO-360-L2A	L-40133-51E	IO-360-L2A	RL-20967-51E
IO-360-L2A	L-40022-51E	IO-360-L2A	L-7292-51E	IO-360-L2A	RL-22788-51E
IO-360-L2A	L-40023-51E	IO-360-L2A	L-7639-51E	IO-360-L2A	RL-23340-51E
IO-360-L2A	L-40024-51E	IO-360-L2A	L-9400-51E	IO-360-L2A	RL-23589-51E
IO-360-L2A	L-40025-51E	IO-360-L2A	L-9913-51E	IO-360-L2A	RL-24004-51E
IO-360-L2A	L-40038-51E	IO-360-L2A	RL-10576-51E	IO-360-L2A	RL-24183-51E
IO-360-L2A	L-40042-51E	IO-360-L2A	RL-1060-51E	IO-360-L2A	RL-24406-51E
IO-360-L2A	L-40049-51E	IO-360-L2A	RL-10761-51E	IO-360-L2A	RL-25004-51E
IO-360-L2A	L-40050-51E	IO-360-L2A	RL-11486-51E	IO-360-L2A	RL-25307-51E
IO-360-L2A	L-40052-51E	IO-360-L2A	RL-11847-51E	IO-360-L2A	RL-25459-51E
IO-360-L2A	L-40053-51E	IO-360-L2A	RL-12443-51E	IO-360-L2A	RL-25469-51E
IO-360-L2A	L-40054-51E	IO-360-L2A	RL-12830-51E	IO-360-L2A	RL-25512-51E
IO-360-L2A	L-40055-51E	IO-360-L2A	RL-13023-51E	IO-360-L2A	RL-25872-51E
IO-360-L2A	L-40056-51E	IO-360-L2A	RL-13219-51E	IO-360-L2A	RL-25974-51E
IO-360-L2A	L-40057-51E	IO-360-L2A	RL-13463-51E	IO-360-L2A	RL-25994-51E
IO-360-L2A	L-40058-51E	IO-360-L2A	RL-13528-51E	IO-360-L2A	RL-26124-51E
IO-360-L2A	L-40072-51E	IO-360-L2A	RL-13817-51E	IO-360-L2A	RL-26174-51E
IO-360-L2A	L-40073-51E	IO-360-L2A	RL-13937-51E	IO-360-L2A	RL-26231-51E
IO-360-L2A	L-40074-51E	IO-360-L2A	RL-14341-51E	IO-360-L2A	RL-26369-51E
IO-360-L2A	L-40075-51E	IO-360-L2A	RL-14812-51E	IO-360-L2A	RL-26377-51E
IO-360-L2A	L-40076-51E	IO-360-L2A	RL-14961-51E	IO-360-L2A	RL-26673-51E
IO-360-L2A	L-40077-51E	IO-360-L2A	RL-15318-51E	IO-360-L2A	RL-26714-51E
IO-360-L2A	L-40078-51E	IO-360-L2A	RL-15567-51E	IO-360-L2A	RL-26747-51E
IO-360-L2A	L-40094-51E	IO-360-L2A	RL-15735-51E	IO-360-L2A	RL-27008-51E
IO-360-L2A	L-40095-51E	IO-360-L2A	RL-15923-51E	IO-360-L2A	RL-27202-51E
IO-360-L2A	L-40096-51E	IO-360-L2A	RL-15994-51E	IO-360-L2A	RL-27206-51E
IO-360-L2A	L-40097-51E	IO-360-L2A	RL-16020-51E	IO-360-L2A	RL-27278-51E
IO-360-L2A	L-40098-51E	IO-360-L2A	RL-16061-51E	IO-360-L2A	RL-27346-51E
IO-360-L2A	L-40099-51E	IO-360-L2A	RL-16259-51E	IO-360-L2A	RL-27356-51E
IO-360-L2A	L-40100-51E	IO-360-L2A	RL-16626-51E	IO-360-L2A	RL-27383-51E
IO-360-L2A	L-40101-51E	IO-360-L2A	RL-16863-51E	IO-360-L2A	RL-27392-51E

ISSUED			REVISED			PAGE NO.	REVISION	S.B. 659
MO	DAY	YEAR	MO	DAY	YEAR			
02	20	25	--	--	--	18 of 41	--	

Table 1 (Cont.)
Engine Models and Serial Numbers of Affected Engines in Section 1

Engine Model	Serial Number	Engine Model	Serial Number	Engine Model	Serial Number
IO-360-L2A	RL-27460-51E	IO-360-L2A	RL-30195-51E	IO-360-L2A	RL-32945-51E
IO-360-L2A	RL-27473-51E	IO-360-L2A	RL-30418-51E	IO-360-L2A	RL-32985-51E
IO-360-L2A	RL-27532-51E	IO-360-L2A	RL-30461-51E	IO-360-L2A	RL-33043-51E
IO-360-L2A	RL-27573-51E	IO-360-L2A	RL-30590-51E	IO-360-L2A	RL-33257-51E
IO-360-L2A	RL-27598-51E	IO-360-L2A	RL-30656-51E	IO-360-L2A	RL-33296-51E
IO-360-L2A	RL-27608-51E	IO-360-L2A	RL-30660-51E	IO-360-L2A	RL-33334-51E
IO-360-L2A	RL-27614-51E	IO-360-L2A	RL-30693-51E	IO-360-L2A	RL-33337-51E
IO-360-L2A	RL-27619-51E	IO-360-L2A	RL-30697-51E	IO-360-L2A	RL-33442-51E
IO-360-L2A	RL-27689-51E	IO-360-L2A	RL-30825-51E	IO-360-L2A	RL-33474-51E
IO-360-L2A	RL-27726-51E	IO-360-L2A	RL-30895-51E	IO-360-L2A	RL-33512-51E
IO-360-L2A	RL-27803-51E	IO-360-L2A	RL-30932-51E	IO-360-L2A	RL-33597-51E
IO-360-L2A	RL-27903-51E	IO-360-L2A	RL-30961-51E	IO-360-L2A	RL-33617-51E
IO-360-L2A	RL-27973-51E	IO-360-L2A	RL-30974-51E	IO-360-L2A	RL-33773-51E
IO-360-L2A	RL-28097-51E	IO-360-L2A	RL-30986-51E	IO-360-L2A	RL-33789-51E
IO-360-L2A	RL-28166-51E	IO-360-L2A	RL-30994-51E	IO-360-L2A	RL-33828-51E
IO-360-L2A	RL-28216-51E	IO-360-L2A	RL-31006-51E	IO-360-L2A	RL-33829-51E
IO-360-L2A	RL-28220-51E	IO-360-L2A	RL-31082-51E	IO-360-L2A	RL-33844-51E
IO-360-L2A	RL-28246-51E	IO-360-L2A	RL-31134-51E	IO-360-L2A	RL-33858-51E
IO-360-L2A	RL-28324-51E	IO-360-L2A	RL-31172-51E	IO-360-L2A	RL-33912-51E
IO-360-L2A	RL-28372-51E	IO-360-L2A	RL-31218-51E	IO-360-L2A	RL-33975-51E
IO-360-L2A	RL-28447-51E	IO-360-L2A	RL-31224-51E	IO-360-L2A	RL-34163-51E
IO-360-L2A	RL-28672-51E	IO-360-L2A	RL-31241-51E	IO-360-L2A	RL-34168-51E
IO-360-L2A	RL-28718-51E	IO-360-L2A	RL-31299-51E	IO-360-L2A	RL-34170-51E
IO-360-L2A	RL-28735-51E	IO-360-L2A	RL-31465-51E	IO-360-L2A	RL-34266-51E
IO-360-L2A	RL-28838-51E	IO-360-L2A	RL-31508-51E	IO-360-L2A	RL-34429-51E
IO-360-L2A	RL-28892-51E	IO-360-L2A	RL-31560-51E	IO-360-L2A	RL-34457-51E
IO-360-L2A	RL-28906-51E	IO-360-L2A	RL-31585-51E	IO-360-L2A	RL-34635-51E
IO-360-L2A	RL-28921-51E	IO-360-L2A	RL-31700-51E	IO-360-L2A	RL-34766-51E
IO-360-L2A	RL-29066-51E	IO-360-L2A	RL-31714-51E	IO-360-L2A	RL-34862-51E
IO-360-L2A	RL-29093-51E	IO-360-L2A	RL-31787-51E	IO-360-L2A	RL-35052-51E
IO-360-L2A	RL-29134-51E	IO-360-L2A	RL-31811-51E	IO-360-L2A	RL-35054-51E
IO-360-L2A	RL-29183-51E	IO-360-L2A	RL-31848-51E	IO-360-L2A	RL-35116-51E
IO-360-L2A	RL-29237-51E	IO-360-L2A	RL-31864-51E	IO-360-L2A	RL-35128-51E
IO-360-L2A	RL-29281-51E	IO-360-L2A	RL-31932-51E	IO-360-L2A	RL-35236-51E
IO-360-L2A	RL-29319-51E	IO-360-L2A	RL-31993-51E	IO-360-L2A	RL-35260-51E
IO-360-L2A	RL-29359-51E	IO-360-L2A	RL-31996-51E	IO-360-L2A	RL-35319-51E
IO-360-L2A	RL-29379-51E	IO-360-L2A	RL-32026-51E	IO-360-L2A	RL-35473-51E
IO-360-L2A	RL-29466-51E	IO-360-L2A	RL-32030-51E	IO-360-L2A	RL-35481-51E
IO-360-L2A	RL-29604-51E	IO-360-L2A	RL-32104-51E	IO-360-L2A	RL-35567-51E
IO-360-L2A	RL-29766-51E	IO-360-L2A	RL-32148-51E	IO-360-L2A	RL-35725-51E
IO-360-L2A	RL-29774-51E	IO-360-L2A	RL-32254-51E	IO-360-L2A	RL-35728-51E
IO-360-L2A	RL-29796-51E	IO-360-L2A	RL-32483-51E	IO-360-L2A	RL-35740-51E
IO-360-L2A	RL-29823-51E	IO-360-L2A	RL-32534-51E	IO-360-L2A	RL-35759-51E
IO-360-L2A	RL-29871-51E	IO-360-L2A	RL-32544-51E	IO-360-L2A	RL-35914-51E
IO-360-L2A	RL-29904-51E	IO-360-L2A	RL-32601-51E	IO-360-L2A	RL-36046-51E
IO-360-L2A	RL-29908-51E	IO-360-L2A	RL-32655-51E	IO-360-L2A	RL-36072-51E
IO-360-L2A	RL-29956-51E	IO-360-L2A	RL-32796-51E	IO-360-L2A	RL-36294-51E
IO-360-L2A	RL-30030-51E	IO-360-L2A	RL-32865-51E	IO-360-L2A	RL-36320-51E
IO-360-L2A	RL-30161-51E	IO-360-L2A	RL-32901-51E	IO-360-L2A	RL-36325-51E

ISSUED			REVISED			PAGE NO.	REVISION	S.B. 659
MO	DAY	YEAR	MO	DAY	YEAR	19 of 41	--	
02	20	25	--	--	--			

Table 1 (Cont.)
Engine Models and Serial Numbers of Affected Engines in Section 1

Engine Model	Serial Number	Engine Model	Serial Number	Engine Model	Serial Number
IO-360-L2A	RL-36328-51E	IO-360-L2A	RL-37840-51E	IO-360-M1A	L-15918-51E
IO-360-L2A	RL-36372-51E	IO-360-L2A	RL-37843-51E	IO-360-M1A	L-17053-51E
IO-360-L2A	RL-36382-51E	IO-360-L2A	RL-38018-51E	IO-360-M1A	L-17696-51E
IO-360-L2A	RL-36409-51E	IO-360-L2A	RL-38029-51E	IO-360-M1A	L-19055-51E
IO-360-L2A	RL-36473-51E	IO-360-L2A	RL-38035-51E	IO-360-M1A	L-19093-51E
IO-360-L2A	RL-36492-51E	IO-360-L2A	RL-38227-51E	IO-360-M1A	L-19106-51E
IO-360-L2A	RL-36521-51E	IO-360-L2A	RL-38292-51E	IO-360-M1A	L-1976-51E
IO-360-L2A	RL-36546-51E	IO-360-L2A	RL-38364-51E	IO-360-M1A	L-23049-51E
IO-360-L2A	RL-36616-51E	IO-360-L2A	RL-38490-51E	IO-360-M1A	L-25917-51E
IO-360-L2A	RL-36631-51E	IO-360-L2A	RL-39555-51E	IO-360-M1A	L-26254-51E
IO-360-L2A	RL-36664-51E	IO-360-L2A	RL-39556-51E	IO-360-M1A	L-26720-51E
IO-360-L2A	RL-36744-51E	IO-360-L2A	RL-39605-51E	IO-360-M1A	L-27881-51E
IO-360-L2A	RL-36806-51E	IO-360-L2A	RL-39608-51E	IO-360-M1A	L-29078-51E
IO-360-L2A	RL-37199-51E	IO-360-L2A	RL-39609-51E	IO-360-M1A	L-29186-51E
IO-360-L2A	RL-37217-51E	IO-360-L2A	RL-39610-51E	IO-360-M1A	L-29545-51E
IO-360-L2A	RL-37250-51E	IO-360-L2A	RL-39611-51E	IO-360-M1A	L-29663-51E
IO-360-L2A	RL-37283-51E	IO-360-L2A	RL-39612-51E	IO-360-M1A	L-29797-51E
IO-360-L2A	RL-37385-51E	IO-360-L2A	RL-39711-51E	IO-360-M1A	L-30223-51E
IO-360-L2A	RL-37388-51E	IO-360-L2A	RL-39712-51E	IO-360-M1A	L-30562-51E
IO-360-L2A	RL-37418-51E	IO-360-L2A	RL-39713-51E	IO-360-M1A	L-31252-51E
IO-360-L2A	RL-37424-51E	IO-360-L2A	RL-39714-51E	IO-360-M1A	L-31570-51E
IO-360-L2A	RL-37430-51E	IO-360-L2A	RL-39716-51E	IO-360-M1A	L-31617-51E
IO-360-L2A	RL-37476-51E	IO-360-L2A	RL-39735-51E	IO-360-M1A	L-31816-51E
IO-360-L2A	RL-37488-51E	IO-360-L2A	RL-39736-51E	IO-360-M1A	L-31950-51E
IO-360-L2A	RL-37490-51E	IO-360-L2A	RL-39737-51E	IO-360-M1A	L-32120-51E
IO-360-L2A	RL-37495-51E	IO-360-L2A	RL-39738-51E	IO-360-M1A	L-32402-51E
IO-360-L2A	RL-37502-51E	IO-360-L2A	RL-39781-51E	IO-360-M1A	L-32716-51E
IO-360-L2A	RL-37509-51E	IO-360-L2A	RL-39790-51E	IO-360-M1A	L-32843-51E
IO-360-L2A	RL-37512-51E	IO-360-L2A	RL-39804-51E	IO-360-M1A	L-33292-51E
IO-360-L2A	RL-37513-51E	IO-360-L2A	RL-4032-51E	IO-360-M1A	L-33754-51E
IO-360-L2A	RL-37537-51E	IO-360-L2A	RL-4881-51E	IO-360-M1A	L-34112-51E
IO-360-L2A	RL-37539-51E	IO-360-L2A	RL-4970-51E	IO-360-M1A	L-34125-51E
IO-360-L2A	RL-37542-51E	IO-360-L2A	RL-5097-51E	IO-360-M1A	L-34336-51E
IO-360-L2A	RL-37628-51E	IO-360-L2A	RL-536-51E	IO-360-M1A	L-34754-51E
IO-360-L2A	RL-37632-51E	IO-360-L2A	RL-5489-51E	IO-360-M1A	L-34779-51E
IO-360-L2A	RL-37636-51E	IO-360-L2A	RL-6658-51E	IO-360-M1A	L-35482-51E
IO-360-L2A	RL-37751-51E	IO-360-L2A	RL-6913-51E	IO-360-M1A	L-35575-51E
IO-360-L2A	RL-37765-51E	IO-360-L2A	RL-7051-51E	IO-360-M1A	L-35780-51E
IO-360-L2A	RL-37771-51E	IO-360-L2A	RL-7262-51E	IO-360-M1A	L-36326-51E
IO-360-L2A	RL-37777-51E	IO-360-L2A	RL-7933-51E	IO-360-M1A	L-36428-51E
IO-360-L2A	RL-37789-51E	IO-360-L2A	RL-7948-51E	IO-360-M1A	L-36500-51E
IO-360-L2A	RL-37795-51E	IO-360-L2A	RL-8254-51E	IO-360-M1A	L-36610-51E
IO-360-L2A	RL-37801-51E	IO-360-L2A	RL-8879-51E	IO-360-M1A	L-36665-51E
IO-360-L2A	RL-37802-51E	IO-360-L2A	RL-8954-51E	IO-360-M1A	L-36709-51E
IO-360-L2A	RL-37803-51E	IO-360-L2A	RL-9158-51E	IO-360-M1A	L-36755-51E
IO-360-L2A	RL-37804-51E	IO-360-L2A	RL-9575-51E	IO-360-M1A	L-37174-51E
IO-360-L2A	RL-37805-51E	IO-360-L2A	RL-9666-51E	IO-360-M1A	L-37177-51E
IO-360-L2A	RL-37827-51E	IO-360-M1A	L-11487-51E	IO-360-M1A	L-37364-51E
IO-360-L2A	RL-37839-51E	IO-360-M1A	L-14217-51E	IO-360-M1A	L-37392-51E

ISSUED			REVISED			PAGE NO.	REVISION	S.B. 659
MO	DAY	YEAR	MO	DAY	YEAR			
02	20	25	--	--	--	20 of 41	--	

Table 1 (Cont.)
Engine Models and Serial Numbers of Affected Engines in Section 1

Engine Model	Serial Number	Engine Model	Serial Number	Engine Model	Serial Number
IO-360-M1A	L-37472-51E	IO-360-M1A	L-39939-51E	IO-360-M1A	RL-30496-51E
IO-360-M1A	L-37492-51E	IO-360-M1A	L-40003-51E	IO-360-M1A	RL-30711-51E
IO-360-M1A	L-37498-51E	IO-360-M1A	L-40017-51E	IO-360-M1A	RL-30729-51E
IO-360-M1A	L-37503-51E	IO-360-M1A	L-40040-51E	IO-360-M1A	RL-30845-51E
IO-360-M1A	L-37549-51E	IO-360-M1A	L-40041-51E	IO-360-M1A	RL-31254-51E
IO-360-M1A	L-37551-51E	IO-360-M1A	L-40045-51E	IO-360-M1A	RL-32236-51E
IO-360-M1A	L-37581-51E	IO-360-M1A	L-40081-51E	IO-360-M1A	RL-32323-51E
IO-360-M1A	L-37630-51E	IO-360-M1A	L-40082-51E	IO-360-M1A	RL-32417-51E
IO-360-M1A	L-37782-51E	IO-360-M1A	L-40083-51E	IO-360-M1A	RL-32718-51E
IO-360-M1A	L-37791-51E	IO-360-M1A	L-40113-51E	IO-360-M1A	RL-32849-51E
IO-360-M1A	L-37818-51E	IO-360-M1A	L-4799-51E	IO-360-M1A	RL-34042-51E
IO-360-M1A	L-37819-51E	IO-360-M1A	L-6992-51E	IO-360-M1A	RL-34519-51E
IO-360-M1A	L-37844-51E	IO-360-M1A	L-7710-51E	IO-360-M1A	RL-34544-51E
IO-360-M1A	L-38093-51E	IO-360-M1A	L-8030-51E	IO-360-M1A	RL-34551-51E
IO-360-M1A	L-38133-51E	IO-360-M1A	L-847-51E	IO-360-M1A	RL-34682-51E
IO-360-M1A	L-38289-51E	IO-360-M1A	L-9209-51E	IO-360-M1A	RL-36021-51E
IO-360-M1A	L-38298-51E	IO-360-M1A	RL-13448-51E	IO-360-M1A	RL-36181-51E
IO-360-M1A	L-38351-51E	IO-360-M1A	RL-13789-51E	IO-360-M1A	RL-36414-51E
IO-360-M1A	L-38363-51E	IO-360-M1A	RL-13932-51E	IO-360-M1A	RL-36515-51E
IO-360-M1A	L-38399-51E	IO-360-M1A	RL-17087-51E	IO-360-M1A	RL-37134-51E
IO-360-M1A	L-39192-51E	IO-360-M1A	RL-17632-51E	IO-360-M1A	RL-37493-51E
IO-360-M1A	L-39225-51E	IO-360-M1A	RL-17669-51E	IO-360-M1A	RL-37792-51E
IO-360-M1A	L-39227-51E	IO-360-M1A	RL-17886-51E	IO-360-M1A	RL-38366-51E
IO-360-M1A	L-39240-51E	IO-360-M1A	RL-20998-51E	IO-360-M1A	RL-38460-51E
IO-360-M1A	L-39255-51E	IO-360-M1A	RL-21731-51E	IO-360-M1A	RL-38522-51E
IO-360-M1A	L-39285-51E	IO-360-M1A	RL-23217-51E	IO-360-M1A	RL-39603-51E
IO-360-M1A	L-39286-51E	IO-360-M1A	RL-23508-51E	IO-360-M1A	RL-39722-51E
IO-360-M1A	L-39291-51E	IO-360-M1A	RL-23510-51E	IO-360-M1A	RL-39803-51E
IO-360-M1A	L-39335-51E	IO-360-M1A	RL-2366-51E	IO-360-M1A	RL-39807-51E
IO-360-M1A	L-39420-51E	IO-360-M1A	RL-24567-51E	IO-360-M1A	RL-39808-51E
IO-360-M1A	L-39421-51E	IO-360-M1A	RL-25257-51E	IO-360-M1A	RL-4825-51E
IO-360-M1A	L-39422-51E	IO-360-M1A	RL-26625-51E	IO-360-M1A	RL-7288-51E
IO-360-M1A	L-39423-51E	IO-360-M1A	RL-27180-51E	IO-360-M1B	RL-25683-51E
IO-360-M1A	L-39424-51E	IO-360-M1A	RL-27578-51E	LO-360-A1G6D	RL-886-71E
IO-360-M1A	L-39455-51E	IO-360-M1A	RL-27584-51E	LO-360-A1H6	L-1049-71E
IO-360-M1A	L-39456-51E	IO-360-M1A	RL-2779-51E	LO-360-A1H6	L-430-71E
IO-360-M1A	L-39500-51E	IO-360-M1A	RL-27916-51E	LO-360-A1H6	L-629-71E
IO-360-M1A	L-39510-51E	IO-360-M1A	RL-28209-51E	LO-360-A1H6	L-630-71E
IO-360-M1A	L-39511-51E	IO-360-M1A	RL-28442-51E	LO-360-A1H6	L-683-71E
IO-360-M1A	L-39529-51E	IO-360-M1A	RL-28512-51E	LO-360-A1H6	L-686-71E
IO-360-M1A	L-39587-51E	IO-360-M1A	RL-28621-51E	LO-360-A1H6	L-778-71E
IO-360-M1A	L-39602-51E	IO-360-M1A	RL-28648-51E	LO-360-A1H6	L-817-71E
IO-360-M1A	L-39613-51E	IO-360-M1A	RL-28711-51E	LO-360-A1H6	L-818-71E
IO-360-M1A	L-39615-51E	IO-360-M1A	RL-28842-51E	LO-360-A1H6	L-824-71E
IO-360-M1A	L-39657-51E	IO-360-M1A	RL-28945-51E	LO-360-A1H6	L-855-71E
IO-360-M1A	L-39754-51E	IO-360-M1A	RL-28959-51E	LO-360-A1H6	L-890-71E
IO-360-M1A	L-39784-51E	IO-360-M1A	RL-29268-51E	LO-360-A1H6	L-893-71E
IO-360-M1A	L-39880-51E	IO-360-M1A	RL-29761-51E	LO-360-A1H6	RL-1013-71E
IO-360-M1A	L-39887-51E	IO-360-M1A	RL-30448-51E	LO-360-A1H6	RL-1018-71E

ISSUED			REVISED			PAGE NO.	REVISION	S.B. 659
MO	DAY	YEAR	MO	DAY	YEAR	21 of 41	--	
02	20	25	--	--	--			

Table 1 (Cont.)
Engine Models and Serial Numbers of Affected Engines in Section 1

Engine Model	Serial Number	Engine Model	Serial Number	Engine Model	Serial Number
LO-360-A1H6	RL-1043-71E	LIO-360-B1G6	L-1248-67E	LIO-360-B1G6	RL-1273-67E
LO-360-A1H6	RL-1047-71E	LIO-360-B1G6	L-1251-67E	LIO-360-B1G6	RL-387-67E
LO-360-A1H6	RL-1053-71E	LIO-360-B1G6	L-1252-67E	LIO-360-B1G6	RL-481-67E
LO-360-A1H6	RL-1057-71E	LIO-360-B1G6	L-1253-67E	LIO-360-B1G6	RL-674-67E
LO-360-A1H6	RL-1058-71E	LIO-360-B1G6	L-1254-67E	LIO-360-B1G6	RL-819-67E
LO-360-A1H6	RL-202-71E	LIO-360-B1G6	L-1255-67E	LIO-360-B1G6	RL-997-67E
LO-360-A1H6	RL-260-71E	LIO-360-B1G6	L-1256-67E	LIO-360-C1E6	L-1179-67E
LO-360-A1H6	RL-282-71E	LIO-360-B1G6	L-1257-67E	LIO-360-C1E6	RL-286-67E
LO-360-A1H6	RL-304-71E	LIO-360-B1G6	L-1258-67E	LIO-360-C1E6	RL-381-67E
LO-360-A1H6	RL-341-71E	LIO-360-B1G6	L-1259-67E	LIO-360-C1E6	RL-576-67E
LO-360-A1H6	RL-487-71E	LIO-360-B1G6	L-1260-67E	LIO-360-M1A	L-1041-67E
LO-360-A1H6	RL-550-71E	LIO-360-B1G6	L-1261-67E	LIO-360-M1A	L-1135-67E
LO-360-A1H6	RL-615-71E	LIO-360-B1G6	L-1262-67E	LIO-360-M1A	L-1159-67E
LO-360-A1H6	RL-629-71E	LIO-360-B1G6	L-1263-67E	LIO-360-M1A	L-1173-67E
LO-360-A1H6	RL-692-71E	LIO-360-B1G6	L-1264-67E	LIO-360-M1A	L-1176-67E
LO-360-A1H6	RL-705-71E	LIO-360-B1G6	L-1265-67E	LIO-360-M1A	L-1188-67E
LO-360-A1H6	RL-728-71E	LIO-360-B1G6	L-1266-67E	LIO-360-M1A	L-1291-67E
LO-360-A1H6	RL-746-71E	LIO-360-B1G6	L-1268-67E	LIO-360-M1A	L-198-67E
LO-360-A1H6	RL-748-71E	LIO-360-B1G6	L-1269-67E	LIO-360-M1A	L-388-67E
LO-360-A1H6	RL-755-71E	LIO-360-B1G6	L-1270-67E	LIO-360-M1A	RL-1284-67E
LO-360-A1H6	RL-782-71E	LIO-360-B1G6	L-1271-67E	LIO-360-M1A	RL-501-67E
LO-360-A1H6	RL-839-71E	LIO-360-B1G6	L-1272-67E	LIO-360-M1A	RL-503-67E
LO-360-A1H6	RL-867-71E	LIO-360-B1G6	L-1274-67E	LIO-360-M1A	RL-536-67E
LO-360-A1H6	RL-871-71E	LIO-360-B1G6	L-1275-67E	LIO-360-M1A	RL-792-67E
LO-360-A1H6	RL-874-71E	LIO-360-B1G6	L-1276-67E	TIO-360-C1A6D	RL-196-64A
LO-360-A1H6	RL-875-71E	LIO-360-B1G6	L-1277-67E	TIO-360-C1A6D	RL-197-64A
LO-360-E1A6D	L-321-72T	LIO-360-B1G6	L-1278-67E	TIO-360-C1A6D	RL-247-64A
LO-360-E1A6D	L-360-72T	LIO-360-B1G6	L-1279-67E	TIO-360-C1A6D	RL-248-64A
LO-360-E1A6D	L-543-72T	LIO-360-B1G6	L-1280-67E	TIO-360-C1A6D	RL-249-64A
LO-360-E1A6D	RL-175-72T	LIO-360-B1G6	L-1281-67E	TIO-360-C1A6D	RL-282-64A
TO-360-C1A6D	RL-174-69A	LIO-360-B1G6	L-1282-67E	AEIO-360-A1B6	L-30204-51E
LIO-360-B1G6	L-1141-67E	LIO-360-B1G6	L-1283-67E	AEIO-360-A1B6	L-36192-51E
LIO-360-B1G6	L-1149-67E	LIO-360-B1G6	L-1285-67E	AEIO-360-A1B6	L-36364-51E
LIO-360-B1G6	L-1156-67E	LIO-360-B1G6	L-1286-67E	AEIO-360-A1B6	L-36366-51E
LIO-360-B1G6	L-1157-67E	LIO-360-B1G6	L-1287-67E	AEIO-360-A1B6	L-38416-51E
LIO-360-B1G6	L-1168-67E	LIO-360-B1G6	L-1288-67E	AEIO-360-A1B6	L-39214-51E
LIO-360-B1G6	L-1174-67E	LIO-360-B1G6	L-1289-67E	AEIO-360-A1B6	L-39358-51E
LIO-360-B1G6	L-1175-67E	LIO-360-B1G6	L-1290-67E	AEIO-360-A1B6	L-39463-51E
LIO-360-B1G6	L-1181-67E	LIO-360-B1G6	L-1292-67E	AEIO-360-A1B6	L-39552-51E
LIO-360-B1G6	L-1187-67E	LIO-360-B1G6	L-1293-67E	AEIO-360-A1B6	L-39835-51E
LIO-360-B1G6	L-1192-67E	LIO-360-B1G6	L-1294-67E	AEIO-360-A1B6	L-39836-51E
LIO-360-B1G6	L-1193-67E	LIO-360-B1G6	L-1295-67E	AEIO-360-A1B6	L-39837-51E
LIO-360-B1G6	L-1203-67E	LIO-360-B1G6	L-1296-67E	AEIO-360-A1B6	L-39838-51E
LIO-360-B1G6	L-1222-67E	LIO-360-B1G6	L-1297-67E	AEIO-360-A1B6	RL-10492-51E
LIO-360-B1G6	L-1224-67E	LIO-360-B1G6	L-418-67E	AEIO-360-A1B6	RL-13545-51E
LIO-360-B1G6	L-1225-67E	LIO-360-B1G6	L-786-67E	AEIO-360-A1B6	RL-37425-51E
LIO-360-B1G6	L-1227-67E	LIO-360-B1G6	RL-1118-67E	AEIO-360-A1B6	RL-38413-51E
LIO-360-B1G6	L-1244-67E	LIO-360-B1G6	RL-1149-67E	AEIO-360-A1B6	RL-39546-51E
LIO-360-B1G6	L-1247-67E	LIO-360-B1G6	RL-1267-67E	AEIO-360-B1F	L-39504-51E

ISSUED			REVISED			PAGE NO.	REVISION	S.B. 659
MO	DAY	YEAR	MO	DAY	YEAR			
02	20	25	--	--	--	22 of 41	--	

**Table 1 (Cont.)
Engine Models and Serial Numbers of Affected Engines in Section 1**

Engine Model	Serial Number	Engine Model	Serial Number	Engine Model	Serial Number
AEIO-360-B1F	L-39505-51E	IO-390-C3B6	L-1417-80E	IO-390-C3B6	L-1950-80E
AEIO-360-B1F	L-39506-51E	IO-390-C3B6	L-1425-80E	IO-390-C3B6	L-1951-80E
AEIO-360-B1F	L-39833-51E	IO-390-C3B6	L-1447-80E	IO-390-C3B6	L-1952-80E
AEIO-360-B1F	RL-31017-51E	IO-390-C3B6	L-1512-80E	IO-390-C3B6	L-1953-80E
AEIO-360-B1F	RL-34845-51E	IO-390-C3B6	L-1545-80E	IO-390-C3B6	L-1954-80E
AEIO-360-B1G6	L-39209-51E	IO-390-C3B6	L-1614-80E	IO-390-C3B6	L-1955-80E
AEIO-360-B1G6	L-39239-51E	IO-390-C3B6	L-1671-80E	IO-390-C3B6	L-1956-80E
AEIO-360-B1G6	L-39401-51E	IO-390-C3B6	L-1828-80E	IO-390-C3B6	L-1957-80E
AEIO-360-B1G6	L-39457-51E	IO-390-C3B6	L-1829-80E	IO-390-C3B6	L-1958-80E
AEIO-360-B1G6	L-39588-51E	IO-390-C3B6	L-1832-80E	IO-390-C3B6	L-1960-80E
AEIO-360-B1G6	L-39618-51E	IO-390-C3B6	L-1833-80E	IO-390-C3B6	L-1965-80E
AEIO-360-H1A	RL-15553-51E	IO-390-C3B6	L-1834-80E	IO-390-C3B6	L-1966-80E
AEIO-360-H1B	L-33476-51E	IO-390-C3B6	L-1835-80E	IO-390-C3B6	L-1967-80E
AEIO-360-H1B	L-39233-51E	IO-390-C3B6	L-1838-80E	IO-390-C3B6	L-1968-80E
AEIO-360-H1B	L-39281-51E	IO-390-C3B6	L-1839-80E	IO-390-C3B6	L-1970-80E
AEIO-360-H1B	L-39299-51E	IO-390-C3B6	L-1840-80E	IO-390-C3B6	L-1971-80E
AEIO-360-H1B	L-39386-51E	IO-390-C3B6	L-1845-80E	IO-390-C3B6	L-1980-80E
AEIO-360-H1B	L-39450-51E	IO-390-C3B6	L-1846-80E	IO-390-C3B6	L-1982-80E
AEIO-360-H1B	L-39454-51E	IO-390-C3B6	L-1847-80E	IO-390-C3B6	L-1985-80E
AEIO-360-H1B	L-39585-51E	IO-390-C3B6	L-1848-80E	IO-390-C3B6	L-1989-80E
AEIO-360-H1B	L-39655-51E	IO-390-C3B6	L-1849-80E	IO-390-C3B6	L-1990-80E
AEIO-360-H1B	L-39728-51E	IO-390-C3B6	L-1850-80E	IO-390-C3B6	L-1991-80E
AEIO-360-H1B	L-39839-51E	IO-390-C3B6	L-1851-80E	IO-390-C3B6	L-1994-80E
AEIO-360-H1B	L-39940-51E	IO-390-C3B6	L-1852-80E	IO-390-C3B6	L-1995-80E
AEIO-360-H1B	L-39968-51E	IO-390-C3B6	L-1853-80E	IO-390-C3B6	L-1996-80E
AEIO-360-H1B	L-40021-51E	IO-390-C3B6	L-1854-80E	IO-390-C3B6	L-1997-80E
AEIO-360-H1B	L-40047-51E	IO-390-C3B6	L-1855-80E	IO-390-C3B6	L-2000-80E
AEIO-360-H1B	L-40066-51E	IO-390-C3B6	L-1856-80E	IO-390-C3B6	L-2015-80E
IO-390-A1A6	RL-671-80E	IO-390-C3B6	L-1860-80E	IO-390-C3B6	L-2016-80E
IO-390-A1A6	RL-736-80E	IO-390-C3B6	L-1863-80E	IO-390-C3B6	L-2020-80E
IO-390-A1B6	L-1911-80E	IO-390-C3B6	L-1864-80E	IO-390-C3B6	L-2026-80E
IO-390-A1B6	L-2049-80E	IO-390-C3B6	L-1865-80E	IO-390-C3B6	L-2029-80E
IO-390-A1B6	L-2188-80E	IO-390-C3B6	L-1866-80E	IO-390-C3B6	L-2030-80E
IO-390-A1B6	L-2189-80E	IO-390-C3B6	L-1871-80E	IO-390-C3B6	L-2033-80E
IO-390-A1B6	L-2226-80E	IO-390-C3B6	L-1872-80E	IO-390-C3B6	L-2034-80E
IO-390-A1B6	L-2247-80E	IO-390-C3B6	L-1873-80E	IO-390-C3B6	L-2035-80E
IO-390-A1B6	L-2321-80E	IO-390-C3B6	L-1874-80E	IO-390-C3B6	L-2036-80E
IO-390-A1B6	L-2347-80E	IO-390-C3B6	L-1879-80E	IO-390-C3B6	L-2040-80E
IO-390-A1B6	L-2366-80E	IO-390-C3B6	L-1886-80E	IO-390-C3B6	L-2056-80E
IO-390-C3B6	L-1104-80E	IO-390-C3B6	L-1887-80E	IO-390-C3B6	L-2057-80E
IO-390-C3B6	L-1170-80E	IO-390-C3B6	L-1888-80E	IO-390-C3B6	L-2058-80E
IO-390-C3B6	L-1193-80E	IO-390-C3B6	L-1889-80E	IO-390-C3B6	L-2059-80E
IO-390-C3B6	L-1215-80E	IO-390-C3B6	L-1897-80E	IO-390-C3B6	L-2060-80E
IO-390-C3B6	L-1242-80E	IO-390-C3B6	L-1898-80E	IO-390-C3B6	L-2063-80E
IO-390-C3B6	L-1265-80E	IO-390-C3B6	L-1910-80E	IO-390-C3B6	L-2064-80E
IO-390-C3B6	L-1392-80E	IO-390-C3B6	L-1940-80E	IO-390-C3B6	L-2065-80E
IO-390-C3B6	L-1393-80E	IO-390-C3B6	L-1947-80E	IO-390-C3B6	L-2074-80E
IO-390-C3B6	L-1394-80E	IO-390-C3B6	L-1948-80E	IO-390-C3B6	L-2075-80E
IO-390-C3B6	L-1408-80E	IO-390-C3B6	L-1949-80E	IO-390-C3B6	L-2078-80E

ISSUED			REVISED			PAGE NO.	REVISION	S.B. 659
MO	DAY	YEAR	MO	DAY	YEAR	23 of 41	--	
02	20	25	--	--	--			

**Table 1 (Cont.)
Engine Models and Serial Numbers of Affected Engines in Section 1**

Engine Model	Serial Number	Engine Model	Serial Number	Engine Model	Serial Number
IO-390-C3B6	L-2079-80E	IO-390-C3B6	L-2168-80E	IO-390-C3B6	L-2278-80E
IO-390-C3B6	L-2080-80E	IO-390-C3B6	L-2169-80E	IO-390-C3B6	L-2279-80E
IO-390-C3B6	L-2088-80E	IO-390-C3B6	L-2170-80E	IO-390-C3B6	L-2280-80E
IO-390-C3B6	L-2089-80E	IO-390-C3B6	L-2171-80E	IO-390-C3B6	L-2284-80E
IO-390-C3B6	L-2090-80E	IO-390-C3B6	L-2172-80E	IO-390-C3B6	L-2294-80E
IO-390-C3B6	L-2091-80E	IO-390-C3B6	L-2173-80E	IO-390-C3B6	L-2295-80E
IO-390-C3B6	L-2092-80E	IO-390-C3B6	L-2180-80E	IO-390-C3B6	L-2296-80E
IO-390-C3B6	L-2093-80E	IO-390-C3B6	L-2182-80E	IO-390-C3B6	L-2297-80E
IO-390-C3B6	L-2094-80E	IO-390-C3B6	L-2183-80E	IO-390-C3B6	L-2305-80E
IO-390-C3B6	L-2095-80E	IO-390-C3B6	L-2184-80E	IO-390-C3B6	L-2306-80E
IO-390-C3B6	L-2096-80E	IO-390-C3B6	L-2185-80E	IO-390-C3B6	L-2319-80E
IO-390-C3B6	L-2097-80E	IO-390-C3B6	L-2186-80E	IO-390-C3B6	L-2320-80E
IO-390-C3B6	L-2098-80E	IO-390-C3B6	L-2187-80E	IO-390-C3B6	L-2324-80E
IO-390-C3B6	L-2099-80E	IO-390-C3B6	L-2190-80E	IO-390-C3B6	L-2325-80E
IO-390-C3B6	L-2100-80E	IO-390-C3B6	L-2191-80E	IO-390-C3B6	L-2327-80E
IO-390-C3B6	L-2108-80E	IO-390-C3B6	L-2192-80E	IO-390-C3B6	L-2328-80E
IO-390-C3B6	L-2109-80E	IO-390-C3B6	L-2195-80E	IO-390-C3B6	L-2329-80E
IO-390-C3B6	L-2110-80E	IO-390-C3B6	L-2196-80E	IO-390-C3B6	L-2330-80E
IO-390-C3B6	L-2111-80E	IO-390-C3B6	L-2197-80E	IO-390-C3B6	L-2332-80E
IO-390-C3B6	L-2112-80E	IO-390-C3B6	L-2198-80E	IO-390-C3B6	L-2333-80E
IO-390-C3B6	L-2113-80E	IO-390-C3B6	L-2200-80E	IO-390-C3B6	L-2335-80E
IO-390-C3B6	L-2114-80E	IO-390-C3B6	L-2201-80E	IO-390-C3B6	L-2336-80E
IO-390-C3B6	L-2117-80E	IO-390-C3B6	L-2206-80E	IO-390-C3B6	L-2339-80E
IO-390-C3B6	L-2118-80E	IO-390-C3B6	L-2207-80E	IO-390-C3B6	L-2340-80E
IO-390-C3B6	L-2120-80E	IO-390-C3B6	L-2208-80E	IO-390-C3B6	L-2341-80E
IO-390-C3B6	L-2125-80E	IO-390-C3B6	L-2209-80E	IO-390-C3B6	L-2344-80E
IO-390-C3B6	L-2126-80E	IO-390-C3B6	L-2214-80E	IO-390-C3B6	L-2346-80E
IO-390-C3B6	L-2127-80E	IO-390-C3B6	L-2216-80E	IO-390-C3B6	L-2348-80E
IO-390-C3B6	L-2134-80E	IO-390-C3B6	L-2224-80E	IO-390-C3B6	L-2349-80E
IO-390-C3B6	L-2135-80E	IO-390-C3B6	L-2225-80E	IO-390-C3B6	L-2350-80E
IO-390-C3B6	L-2136-80E	IO-390-C3B6	L-2237-80E	IO-390-C3B6	L-2351-80E
IO-390-C3B6	L-2137-80E	IO-390-C3B6	L-2238-80E	IO-390-C3B6	L-2352-80E
IO-390-C3B6	L-2138-80E	IO-390-C3B6	L-2239-80E	IO-390-C3B6	L-2353-80E
IO-390-C3B6	L-2139-80E	IO-390-C3B6	L-2240-80E	IO-390-C3B6	L-2354-80E
IO-390-C3B6	L-2140-80E	IO-390-C3B6	L-2250-80E	IO-390-C3B6	L-2355-80E
IO-390-C3B6	L-2141-80E	IO-390-C3B6	L-2251-80E	IO-390-C3B6	L-2361-80E
IO-390-C3B6	L-2142-80E	IO-390-C3B6	L-2252-80E	IO-390-C3B6	L-2367-80E
IO-390-C3B6	L-2143-80E	IO-390-C3B6	L-2257-80E	IO-390-C3B6	L-2369-80E
IO-390-C3B6	L-2144-80E	IO-390-C3B6	L-2258-80E	IO-390-C3B6	L-2370-80E
IO-390-C3B6	L-2154-80E	IO-390-C3B6	L-2262-80E	IO-390-C3B6	L-2371-80E
IO-390-C3B6	L-2155-80E	IO-390-C3B6	L-2263-80E	IO-390-C3B6	L-2372-80E
IO-390-C3B6	L-2156-80E	IO-390-C3B6	L-2264-80E	IO-390-C3B6	L-2373-80E
IO-390-C3B6	L-2157-80E	IO-390-C3B6	L-2269-80E	IO-390-C3B6	L-2374-80E
IO-390-C3B6	L-2160-80E	IO-390-C3B6	L-2272-80E	IO-390-C3B6	L-2375-80E
IO-390-C3B6	L-2161-80E	IO-390-C3B6	L-2273-80E	IO-390-C3B6	L-2376-80E
IO-390-C3B6	L-2162-80E	IO-390-C3B6	L-2274-80E	IO-390-C3B6	L-2377-80E
IO-390-C3B6	L-2165-80E	IO-390-C3B6	L-2275-80E	IO-390-C3B6	L-2378-80E
IO-390-C3B6	L-2166-80E	IO-390-C3B6	L-2276-80E	IO-390-C3B6	L-2379-80E
IO-390-C3B6	L-2167-80E	IO-390-C3B6	L-2277-80E	IO-390-C3B6	L-2380-80E

ISSUED			REVISED			PAGE NO.	REVISION	S.B. 659
MO	DAY	YEAR	MO	DAY	YEAR			
02	20	25	--	--	--	24 of 41	--	

Table 1 (Cont.)
Engine Models and Serial Numbers of Affected Engines in Section 1

Engine Model	Serial Number	Engine Model	Serial Number	Engine Model	Serial Number
IO-390-C3B6	L-2381-80E	IO-390-C3B6	RL-612-80E	IO-390-D3B6	L-2203-80E
IO-390-C3B6	L-2382-80E	IO-390-C3B6	RL-618-80E	IO-390-D3B6	L-2210-80E
IO-390-C3B6	L-2383-80E	IO-390-C3B6	RL-636-80E	IO-390-D3B6	L-2220-80E
IO-390-C3B6	L-2384-80E	IO-390-C3B6	RL-640-80E	IO-390-D3B6	L-2221-80E
IO-390-C3B6	L-2385-80E	IO-390-C3B6	RL-644-80E	IO-390-D3B6	L-2227-80E
IO-390-C3B6	L-2386-80E	IO-390-C3B6	RL-651-80E	IO-390-D3B6	L-2228-80E
IO-390-C3B6	L-2387-80E	IO-390-C3B6	RL-715-80E	IO-390-D3B6	L-2241-80E
IO-390-C3B6	L-2388-80E	IO-390-C3B6	RL-720-80E	IO-390-D3B6	L-2242-80E
IO-390-C3B6	L-2390-80E	IO-390-C3B6	RL-725-80E	IO-390-D3B6	L-2243-80E
IO-390-C3B6	L-2391-80E	IO-390-C3B6	RL-727-80E	IO-390-D3B6	L-2244-80E
IO-390-C3B6	L-2392-80E	IO-390-C3B6	RL-730-80E	IO-390-D3B6	L-2245-80E
IO-390-C3B6	L-2393-80E	IO-390-C3B6	RL-806-80E	IO-390-D3B6	L-2253-80E
IO-390-C3B6	L-2394-80E	IO-390-D3B6	L-1734-80E	IO-390-D3B6	L-2254-80E
IO-390-C3B6	L-2398-80E	IO-390-D3B6	L-1765-80E	IO-390-D3B6	L-2255-80E
IO-390-C3B6	L-676-80E	IO-390-D3B6	L-1816-80E	IO-390-D3B6	L-2259-80E
IO-390-C3B6	L-738-80E	IO-390-D3B6	L-1817-80E	IO-390-D3B6	L-2260-80E
IO-390-C3B6	L-814-80E	IO-390-D3B6	L-1818-80E	IO-390-D3B6	L-2266-80E
IO-390-C3B6	L-835-80E	IO-390-D3B6	L-1820-80E	IO-390-D3B6	L-2267-80E
IO-390-C3B6	L-892-80E	IO-390-D3B6	L-1870-80E	IO-390-D3B6	L-2268-80E
IO-390-C3B6	L-930-80E	IO-390-D3B6	L-1883-80E	IO-390-D3B6	L-2271-80E
IO-390-C3B6	RL-1707-80E	IO-390-D3B6	L-1884-80E	IO-390-D3B6	L-2287-80E
IO-390-C3B6	RL-1819-80E	IO-390-D3B6	L-1885-80E	IO-390-D3B6	L-2289-80E
IO-390-C3B6	RL-2005-80E	IO-390-D3B6	L-1890-80E	IO-390-D3B6	L-2292-80E
IO-390-C3B6	RL-2027-80E	IO-390-D3B6	L-1891-80E	IO-390-D3B6	L-2293-80E
IO-390-C3B6	RL-2037-80E	IO-390-D3B6	L-1892-80E	IO-390-D3B6	L-2300-80E
IO-390-C3B6	RL-2038-80E	IO-390-D3B6	L-1894-80E	IO-390-D3B6	L-2304-80E
IO-390-C3B6	RL-2047-80E	IO-390-D3B6	L-1900-80E	IO-390-D3B6	L-2308-80E
IO-390-C3B6	RL-2048-80E	IO-390-D3B6	L-1901-80E	IO-390-D3B6	L-2309-80E
IO-390-C3B6	RL-2050-80E	IO-390-D3B6	L-1902-80E	IO-390-D3B6	L-2315-80E
IO-390-C3B6	RL-2233-80E	IO-390-D3B6	L-1903-80E	IO-390-D3B6	L-2316-80E
IO-390-C3B6	RL-2234-80E	IO-390-D3B6	L-1904-80E	IO-390-D3B6	L-2322-80E
IO-390-C3B6	RL-2235-80E	IO-390-D3B6	L-1905-80E	IO-390-D3B6	L-2323-80E
IO-390-C3B6	RL-2248-80E	IO-390-D3B6	L-1906-80E	IO-390-D3B6	L-2342-80E
IO-390-C3B6	RL-2281-80E	IO-390-D3B6	L-1907-80E	IO-390-D3B6	L-2343-80E
IO-390-C3B6	RL-2282-80E	IO-390-D3B6	L-1908-80E	IO-390-D3B6	L-2357-80E
IO-390-C3B6	RL-2283-80E	IO-390-D3B6	L-1920-80E	IO-390-D3B6	L-2358-80E
IO-390-C3B6	RL-2288-80E	IO-390-D3B6	L-2054-80E	IO-390-D3B6	L-2359-80E
IO-390-C3B6	RL-2290-80E	IO-390-D3B6	L-2055-80E	IO-390-D3B6	L-2360-80E
IO-390-C3B6	RL-2301-80E	IO-390-D3B6	L-2062-80E	AEIO-390-A1A6	RL-1431-80E
IO-390-C3B6	RL-2302-80E	IO-390-D3B6	L-2077-80E	AEIO-390-A1B6	L-1899-80E
IO-390-C3B6	RL-2310-80E	IO-390-D3B6	L-2081-80E	AEIO-390-A1B6	RL-2270-80E
IO-390-C3B6	RL-2311-80E	IO-390-D3B6	L-2101-80E	AEIO-390-A3B6	L-1880-80E
IO-390-C3B6	RL-2312-80E	IO-390-D3B6	L-2102-80E	AEIO-390-A3B6	L-1881-80E
IO-390-C3B6	RL-2326-80E	IO-390-D3B6	L-2104-80E	AEIO-390-A3B6	L-1882-80E
IO-390-C3B6	RL-2331-80E	IO-390-D3B6	L-2105-80E	AEIO-390-A3B6	L-1912-80E
IO-390-C3B6	RL-2334-80E	IO-390-D3B6	L-2124-80E	AEIO-390-A3B6	L-2028-80E
IO-390-C3B6	RL-2345-80E	IO-390-D3B6	L-2148-80E	AEIO-390-A3B6	L-2103-80E
IO-390-C3B6	RL-2356-80E	IO-390-D3B6	L-2158-80E	AEIO-390-A3B6	L-2123-80E
IO-390-C3B6	RL-545-80E				

ISSUED			REVISED			PAGE NO.	REVISION	S.B. 659
MO	DAY	YEAR	MO	DAY	YEAR	25 of 41	--	
02	20	25	--	--	--			

Section 2

Affected engine models in this section.

435 Series engines

NOTICE: Although there were no 435 Series engines shipped from the Lycoming factory between April 4, 2022 and March 27, 2024 any of these engines assembled, repaired, or overhauled in the field using STD-33 plain washers purchased from Lycoming during the affected date range must complete the Required Action in this Service Bulletin.

Figure 2 indicates common locations of STD-33 plain washers for engines in this section. Refer to the Illustrated Parts Catalog for your engine model for specific locations of the STD-33 plain washers. Refer to the appropriate engine maintenance manual, overhaul manual, or applicable ICA for torque values used during assembly.

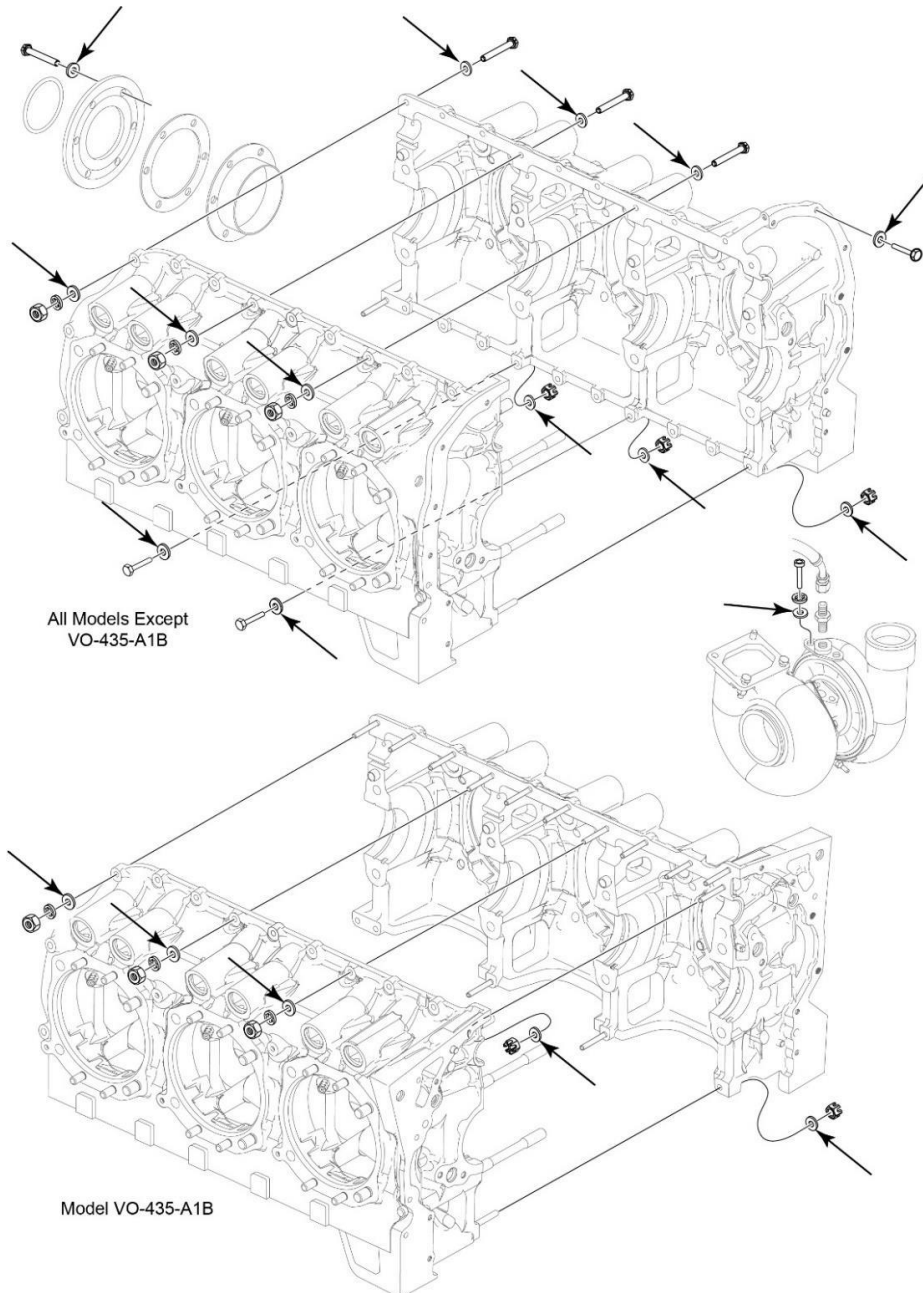


Figure 2
Locations of STD-33 Plain Washers on Engine Models in this Section

ISSUED			REVISED			PAGE NO.	REVISION	S.B. 659
MO	DAY	YEAR	MO	DAY	YEAR			
02	20	25	--	--	--	26 of 41	--	

Section 3

Affected engine models in this section:

GO, IGO, GSO, and IGSO-480 Series, IGO and IGSO-540 Series, and TIO, TIGO-541 Series engines

NOTICE: Although there were no GO, IGO, GSO, IGSO-480 Series, IGO, IGSO-540 Series, or TIO, TIGO-541 Series engines shipped from the Lycoming factory between April 4, 2022 and March 27, 2024 any of these engines assembled, repaired, or overhauled in the field using STD-33 plain washers purchased from Lycoming during the affected date range must complete the Required Action in this Service Bulletin.

Figure 3 indicates common locations of STD-33 plain washers for engines in this section. Refer to the Illustrated Parts Catalog for your engine model for specific locations of the STD-33 plain washers. Refer to the appropriate engine maintenance manual, overhaul manual, or applicable ICA for torque values used during assembly.

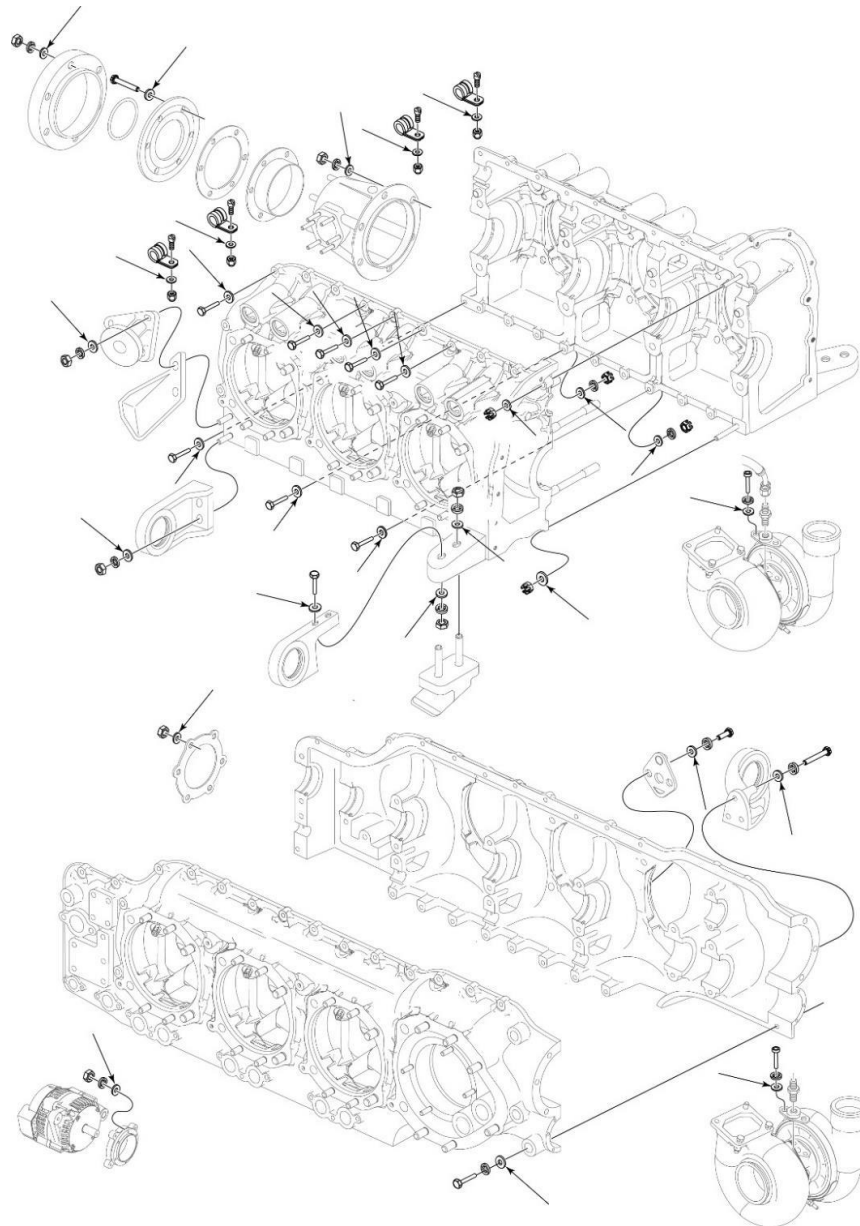


Figure 3
Locations of STD-33 Plain Washers on Engine Models in this Section

ISSUED			REVISED			PAGE NO.	REVISION	S.B. 659
MO	DAY	YEAR	MO	DAY	YEAR			
02	20	25	--	--	--	27 of 41	--	

Section 4

Affected engine models in this section:

540 Series engines (Except Geared 540 Series and VO, IVO, and TIVO-540 Series engines)

Figure 4 indicates common locations of STD-33 plain washers for engines in this section. Refer to the Illustrated Parts Catalog for your engine model for specific locations of the STD-33 plain washers. Refer to the appropriate engine maintenance manual, overhaul manual, or applicable ICA for torque values used during assembly.

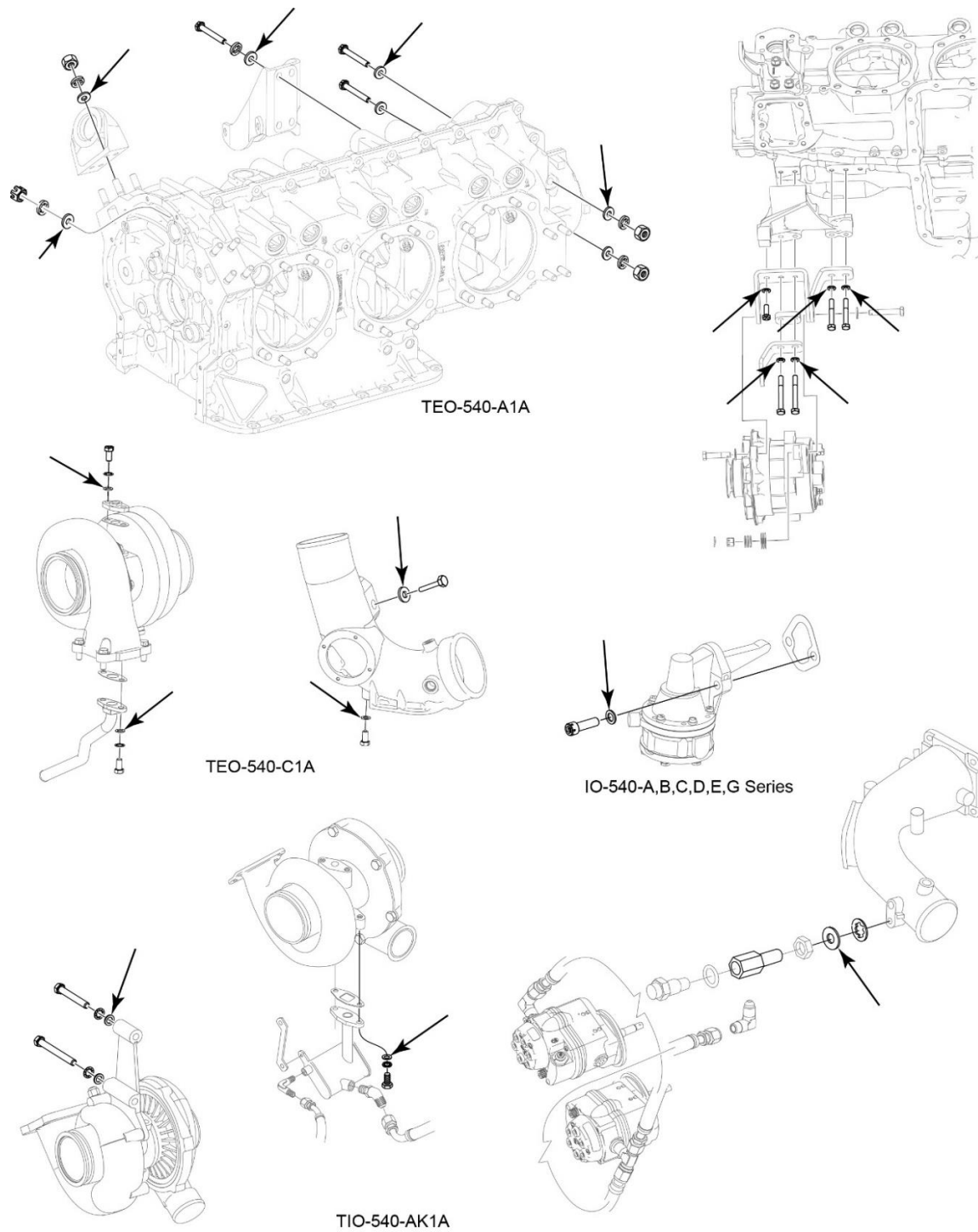


Figure 4
Locations of STD-33 Plain Washers on Engine Models in this Section

ISSUED			REVISED			PAGE NO.	REVISION	S.B. 659
MO	DAY	YEAR	MO	DAY	YEAR			
02	20	25	--	--	--	28 of 41	--	

Table 4
Engine Models and Serial Numbers of Affected Engines in Section 4

Engine Model	Serial Number	Engine Model	Serial Number	Engine Model	Serial Number
O-540-A1D5	RL-12558-40E	O-540-E4C5	RL-21614-40E	O-540-F1B5	L-28099-40E
O-540-A1D5	RL-14824-40E	O-540-E4C5	RL-21817-40E	O-540-F1B5	L-28100-40E
O-540-A1D5	RL-19766-40E	O-540-E4C5	RL-23133-40E	O-540-F1B5	L-28101-40E
O-540-A1D5	RL-19984-40E	O-540-E4C5	RL-23925-40E	O-540-F1B5	L-28102-40E
O-540-A1D5	RL-20924-40E	O-540-E4C5	RL-24132-40E	O-540-F1B5	L-28103-40E
O-540-A1D5	RL-22737-40E	O-540-E4C5	RL-24426-40E	O-540-F1B5	L-28104-40E
O-540-A1D5	RL-25753-40E	O-540-E4C5	RL-24736-40E	O-540-F1B5	L-28105-40E
O-540-A1D5	RL-26729-40E	O-540-E4C5	RL-25057-40E	O-540-F1B5	L-28106-40E
O-540-A1D5	RL-8374-40E	O-540-E4C5	RL-25198-40E	O-540-F1B5	L-28107-40E
O-540-A4B5	RL-20301-40E	O-540-E4C5	RL-25286-40E	O-540-F1B5	L-28108-40E
O-540-A4E5	L-28153-40E	O-540-E4C5	RL-25816-40E	O-540-F1B5	L-28109-40E
O-540-B2B5	RL-12495-40E	O-540-E4C5	RL-26142-40E	O-540-F1B5	L-28110-40E
O-540-B2B5	RL-20381-40E	O-540-E4C5	RL-27356-40E	O-540-F1B5	L-28111-40E
O-540-B2B5	RL-25106-40E	O-540-E4C5	RL-3701-40E	O-540-F1B5	L-28112-40E
O-540-B2B5	RL-25205-40E	O-540-F1B5	L-12597-40E	O-540-F1B5	L-28113-40E
O-540-B4B5	L-28147-40E	O-540-F1B5	L-16512-40E	O-540-F1B5	L-28114-40E
O-540-B4B5	RL-14546-40E	O-540-F1B5	L-20369-40E	O-540-F1B5	L-28115-40E
O-540-B4B5	RL-18122-40E	O-540-F1B5	L-22950-40E	O-540-F1B5	L-28119-40E
O-540-B4B5	RL-18841-40E	O-540-F1B5	L-25438-40E	O-540-F1B5	L-28120-40E
O-540-B4B5	RL-20439-40E	O-540-F1B5	L-26717-40E	O-540-F1B5	L-28121-40E
O-540-B4B5	RL-21300-40E	O-540-F1B5	L-26745-40E	O-540-F1B5	L-28122-40E
O-540-B4B5	RL-23708-40E	O-540-F1B5	L-26746-40E	O-540-F1B5	L-28123-40E
O-540-B4B5	RL-25480-40E	O-540-F1B5	L-27558-40E	O-540-F1B5	L-28124-40E
O-540-B4B5	RL-26874-40E	O-540-F1B5	L-27745-40E	O-540-F1B5	L-28125-40E
O-540-E4A5	L-28117-40E	O-540-F1B5	L-28072-40E	O-540-F1B5	L-28128-40E
O-540-E4A5	L-28118-40E	O-540-F1B5	L-28073-40E	O-540-F1B5	L-28129-40E
O-540-E4B5	L-10942-40E	O-540-F1B5	L-28074-40E	O-540-F1B5	L-28130-40E
O-540-E4B5	L-19738-40E	O-540-F1B5	L-28075-40E	O-540-F1B5	L-28131-40E
O-540-E4B5	RL-16656-40E	O-540-F1B5	L-28076-40E	O-540-F1B5	L-28132-40E
O-540-E4B5	RL-19916-40E	O-540-F1B5	L-28077-40E	O-540-F1B5	L-28133-40E
O-540-E4B5	RL-21560-40E	O-540-F1B5	L-28078-40E	O-540-F1B5	L-28134-40E
O-540-E4B5	RL-26216-40E	O-540-F1B5	L-28079-40E	O-540-F1B5	L-28135-40E
O-540-E4B5	RL-26990-40E	O-540-F1B5	L-28080-40E	O-540-F1B5	L-28136-40E
O-540-E4C5	L-11335-40E	O-540-F1B5	L-28081-40E	O-540-F1B5	L-28137-40E
O-540-E4C5	L-21352-40E	O-540-F1B5	L-28082-40E	O-540-F1B5	L-28138-40E
O-540-E4C5	L-24374-40E	O-540-F1B5	L-28083-40E	O-540-F1B5	L-28139-40E
O-540-E4C5	L-26744-40E	O-540-F1B5	L-28084-40E	O-540-F1B5	L-28140-40E
O-540-E4C5	L-26780-40E	O-540-F1B5	L-28087-40E	O-540-F1B5	L-28141-40E
O-540-E4C5	L-26922-40E	O-540-F1B5	L-28088-40E	O-540-F1B5	L-28143-40E
O-540-E4C5	L-28085-40E	O-540-F1B5	L-28089-40E	O-540-F1B5	L-28144-40E
O-540-E4C5	L-28086-40E	O-540-F1B5	L-28090-40E	O-540-F1B5	L-28145-40E
O-540-E4C5	L-28146-40E	O-540-F1B5	L-28091-40E	O-540-F1B5	L-28148-40E
O-540-E4C5	RL-17894-40E	O-540-F1B5	L-28092-40E	O-540-F1B5	L-28149-40E
O-540-E4C5	RL-19354-40E	O-540-F1B5	L-28093-40E	O-540-F1B5	L-28150-40E
O-540-E4C5	RL-19680-40E	O-540-F1B5	L-28094-40E	O-540-F1B5	L-28151-40E
O-540-E4C5	RL-20566-40E	O-540-F1B5	L-28095-40E	O-540-F1B5	L-28152-40E
O-540-E4C5	RL-20677-40E	O-540-F1B5	L-28096-40E	O-540-F1B5	L-28154-40E
O-540-E4C5	RL-20769-40E	O-540-F1B5	L-28097-40E	O-540-F1B5	L-28155-40E
O-540-E4C5	RL-21174-40E	O-540-F1B5	L-28098-40E	O-540-F1B5	L-28156-40E

ISSUED			REVISED			PAGE NO.	REVISION	S.B. 659
MO	DAY	YEAR	MO	DAY	YEAR	29 of 41	--	
02	20	25	--	--	--			

Table 4 (Cont.)
Engine Models and Serial Numbers of Affected Engines in Section 4

Engine Model	Serial Number	Engine Model	Serial Number	Engine Model	Serial Number
O-540-F1B5	L-28157-40E	O-540-F1B5	L-28206-40E	IO-540-AB1A5	L-27862-48E
O-540-F1B5	L-28158-40E	O-540-F1B5	L-28207-40E	IO-540-AB1A5	L-28085-48E
O-540-F1B5	L-28159-40E	O-540-F1B5	RL-10371-40E	IO-540-AB1A5	L-30949-48E
O-540-F1B5	L-28160-40E	O-540-F1B5	RL-11391-40E	IO-540-AB1A5	L-31136-48E
O-540-F1B5	L-28161-40E	O-540-F1B5	RL-17814-40E	IO-540-AB1A5	L-31681-48E
O-540-F1B5	L-28162-40E	O-540-F1B5	RL-17821-40E	IO-540-AB1A5	L-31877-48E
O-540-F1B5	L-28163-40E	O-540-F1B5	RL-18052-40E	IO-540-AB1A5	L-33382-48E
O-540-F1B5	L-28164-40E	O-540-F1B5	RL-18802-40E	IO-540-AB1A5	L-33873-48E
O-540-F1B5	L-28165-40E	O-540-F1B5	RL-19911-40E	IO-540-AB1A5	L-34053-48E
O-540-F1B5	L-28166-40E	O-540-F1B5	RL-22170-40E	IO-540-AB1A5	L-34240-48E
O-540-F1B5	L-28167-40E	O-540-F1B5	RL-24137-40E	IO-540-AB1A5	L-34252-48E
O-540-F1B5	L-28168-40E	O-540-F1B5	RL-24524-40E	IO-540-AB1A5	L-34311-48E
O-540-F1B5	L-28169-40E	O-540-F1B5	RL-24746-40E	IO-540-AB1A5	L-34351-48E
O-540-F1B5	L-28170-40E	O-540-F1B5	RL-24766-40E	IO-540-AB1A5	L-34352-48E
O-540-F1B5	L-28171-40E	O-540-F1B5	RL-24873-40E	IO-540-AB1A5	L-34358-48E
O-540-F1B5	L-28172-40E	O-540-F1B5	RL-26270-40E	IO-540-AB1A5	L-34386-48E
O-540-F1B5	L-28173-40E	O-540-F1B5	RL-27291-40E	IO-540-AB1A5	L-35201-48E
O-540-F1B5	L-28174-40E	O-540-G1A5	L-28116-40E	IO-540-AB1A5	L-37813-48E
O-540-F1B5	L-28175-40E	O-540-G1A5	L-28126-40E	IO-540-AB1A5	L-37989-48E
O-540-F1B5	L-28176-40E	O-540-G1A5	L-28127-40E	IO-540-AB1A5	L-37990-48E
O-540-F1B5	L-28177-40E	O-540-G1A5	RL-19981-40E	IO-540-AB1A5	L-37991-48E
O-540-F1B5	L-28178-40E	O-540-G1A5	RL-25130-40E	IO-540-AB1A5	L-37992-48E
O-540-F1B5	L-28179-40E	O-540-G1A5	RL-26040-40E	IO-540-AB1A5	L-37994-48E
O-540-F1B5	L-28180-40E	O-540-J3A5D	RL-18540-40E	IO-540-AB1A5	L-38015-48E
O-540-F1B5	L-28181-40E	O-540-J3A5D	RL-20212-40E	IO-540-AB1A5	L-38016-48E
O-540-F1B5	L-28182-40E	O-540-J3A5D	RL-20580-40E	IO-540-AB1A5	L-38017-48E
O-540-F1B5	L-28183-40E	O-540-J3A5D	RL-22539-40E	IO-540-AB1A5	L-38018-48E
O-540-F1B5	L-28184-40E	O-540-J3A5D	RL-25178-40E	IO-540-AB1A5	L-38034-48E
O-540-F1B5	L-28185-40E	O-540-J3C5D	RL-12719-40E	IO-540-AB1A5	L-38035-48E
O-540-F1B5	L-28186-40E	O-540-J3C5D	RL-13068-40E	IO-540-AB1A5	L-38036-48E
O-540-F1B5	L-28187-40E	O-540-J3C5D	RL-19385-40E	IO-540-AB1A5	L-38037-48E
O-540-F1B5	L-28188-40E	O-540-J3C5D	RL-20221-40E	IO-540-AB1A5	L-38038-48E
O-540-F1B5	L-28189-40E	O-540-J3C5D	RL-20397-40E	IO-540-AB1A5	L-38059-48E
O-540-F1B5	L-28190-40E	O-540-J3C5D	RL-21524-40E	IO-540-AB1A5	L-38060-48E
O-540-F1B5	L-28191-40E	O-540-J3C5D	RL-23081-40E	IO-540-AB1A5	L-38061-48E
O-540-F1B5	L-28192-40E	O-540-J3C5D	RL-24377-40E	IO-540-AB1A5	L-38062-48E
O-540-F1B5	L-28193-40E	O-540-J3C5D	RL-25822-40E	IO-540-AB1A5	L-38063-48E
O-540-F1B5	L-28194-40E	O-540-J3C5D	RL-26032-40E	IO-540-AB1A5	L-38078-48E
O-540-F1B5	L-28195-40E	O-540-L3C5D	L-20379-40E	IO-540-AB1A5	L-38080-48E
O-540-F1B5	L-28196-40E	O-540-L3C5D	RL-12493-40E	IO-540-AB1A5	L-38085-48E
O-540-F1B5	L-28197-40E	O-540-L3C5D	RL-13204-40E	IO-540-AB1A5	L-38086-48E
O-540-F1B5	L-28198-40E	O-540-L3C5D	RL-19429-40E	IO-540-AB1A5	L-38097-48E
O-540-F1B5	L-28199-40E	O-540-L3C5D	RL-24299-40E	IO-540-AB1A5	L-38098-48E
O-540-F1B5	L-28200-40E	O-540-L3C5D	RL-26100-40E	IO-540-AB1A5	L-38099-48E
O-540-F1B5	L-28201-40E	IO-540-AA1A5	RL-21489-48E	IO-540-AB1A5	L-38104-48E
O-540-F1B5	L-28202-40E	IO-540-AB1A5	L-12752-48E	IO-540-AB1A5	L-38105-48E
O-540-F1B5	L-28203-40E	IO-540-AB1A5	L-24941-48E	IO-540-AB1A5	L-38106-48E
O-540-F1B5	L-28204-40E	IO-540-AB1A5	L-25598-48E	IO-540-AB1A5	L-38118-48E
O-540-F1B5	L-28205-40E	IO-540-AB1A5	L-26943-48E	IO-540-AB1A5	L-38119-48E

ISSUED			REVISED			PAGE NO.	REVISION	S.B. 659
MO	DAY	YEAR	MO	DAY	YEAR			
02	20	25	--	--	--	30 of 41	--	

**Table 4 (Cont.)
Engine Models and Serial Numbers of Affected Engines in Section 4**

Engine Model	Serial Number	Engine Model	Serial Number	Engine Model	Serial Number
IO-540-AB1A5	L-38120-48E	IO-540-AB1A5	L-38607-48E	IO-540-AB1A5	RL-33002-48E
IO-540-AB1A5	L-38121-48E	IO-540-AB1A5	L-38626-48E	IO-540-AB1A5	RL-35167-48E
IO-540-AB1A5	L-38122-48E	IO-540-AB1A5	L-38627-48E	IO-540-AB1A5	RL-36699-48E
IO-540-AB1A5	L-38142-48E	IO-540-AB1A5	L-38639-48E	IO-540-AB1A5	RL-4847-48E
IO-540-AB1A5	L-38143-48E	IO-540-AB1A5	L-38640-48E	IO-540-AB1A5	RL-9704-48E
IO-540-AB1A5	L-38144-48E	IO-540-AB1A5	L-38667-48E	IO-540-AC1A5	L-26974-48E
IO-540-AB1A5	L-38145-48E	IO-540-AB1A5	L-38668-48E	IO-540-AC1A5	L-28036-48E
IO-540-AB1A5	L-38174-48E	IO-540-AB1A5	L-38669-48E	IO-540-AC1A5	L-29143-48E
IO-540-AB1A5	L-38175-48E	IO-540-AB1A5	RL-14089-48E	IO-540-AC1A5	L-30319-48E
IO-540-AB1A5	L-38192-48E	IO-540-AB1A5	RL-15518-48E	IO-540-AC1A5	L-30392-48E
IO-540-AB1A5	L-38193-48E	IO-540-AB1A5	RL-15697-48E	IO-540-AC1A5	L-37467-48E
IO-540-AB1A5	L-38206-48E	IO-540-AB1A5	RL-16869-48E	IO-540-AC1A5	L-38177-48E
IO-540-AB1A5	L-38207-48E	IO-540-AB1A5	RL-18371-48E	IO-540-AC1A5	L-38284-48E
IO-540-AB1A5	L-38225-48E	IO-540-AB1A5	RL-18556-48E	IO-540-AC1A5	L-38653-48E
IO-540-AB1A5	L-38226-48E	IO-540-AB1A5	RL-19559-48E	IO-540-AC1A5	RL-13917-48E
IO-540-AB1A5	L-38227-48E	IO-540-AB1A5	RL-20397-48E	IO-540-AC1A5	RL-15128-48E
IO-540-AB1A5	L-38228-48E	IO-540-AB1A5	RL-20456-48E	IO-540-AC1A5	RL-20111-48E
IO-540-AB1A5	L-38241-48E	IO-540-AB1A5	RL-20795-48E	IO-540-AC1A5	RL-21147-48E
IO-540-AB1A5	L-38264-48E	IO-540-AB1A5	RL-21851-48E	IO-540-AC1A5	RL-22139-48E
IO-540-AB1A5	L-38287-48E	IO-540-AB1A5	RL-21902-48E	IO-540-AC1A5	RL-22304-48E
IO-540-AB1A5	L-38300-48E	IO-540-AB1A5	RL-22449-48E	IO-540-AC1A5	RL-24321-48E
IO-540-AB1A5	L-38301-48E	IO-540-AB1A5	RL-22946-48E	IO-540-AC1A5	RL-25845-48E
IO-540-AB1A5	L-38315-48E	IO-540-AB1A5	RL-23237-48E	IO-540-AC1A5	RL-26573-48E
IO-540-AB1A5	L-38325-48E	IO-540-AB1A5	RL-24039-48E	IO-540-AC1A5	RL-26746-48E
IO-540-AB1A5	L-38326-48E	IO-540-AB1A5	RL-24106-48E	IO-540-AC1A5	RL-26762-48E
IO-540-AB1A5	L-38352-48E	IO-540-AB1A5	RL-24202-48E	IO-540-AC1A5	RL-26781-48E
IO-540-AB1A5	L-38377-48E	IO-540-AB1A5	RL-24400-48E	IO-540-AC1A5	RL-27259-48E
IO-540-AB1A5	L-38380-48E	IO-540-AB1A5	RL-24932-48E	IO-540-AC1A5	RL-28567-48E
IO-540-AB1A5	L-38402-48E	IO-540-AB1A5	RL-25156-48E	IO-540-AC1A5	RL-32320-48E
IO-540-AB1A5	L-38437-48E	IO-540-AB1A5	RL-25638-48E	IO-540-AC1A5	RL-3920-48E
IO-540-AB1A5	L-38458-48E	IO-540-AB1A5	RL-25766-48E	IO-540-AE1A5	L-14107-48E
IO-540-AB1A5	L-38461-48E	IO-540-AB1A5	RL-25852-48E	IO-540-AE1A5	L-20449-48E
IO-540-AB1A5	L-38462-48E	IO-540-AB1A5	RL-26243-48E	IO-540-AE1A5	L-21128-48E
IO-540-AB1A5	L-38468-48E	IO-540-AB1A5	RL-26496-48E	IO-540-AE1A5	L-25468-48E
IO-540-AB1A5	L-38469-48E	IO-540-AB1A5	RL-26698-48E	IO-540-AE1A5	L-26826-48E
IO-540-AB1A5	L-38497-48E	IO-540-AB1A5	RL-26808-48E	IO-540-AE1A5	L-29618-48E
IO-540-AB1A5	L-38501-48E	IO-540-AB1A5	RL-26815-48E	IO-540-AE1A5	L-33673-48E
IO-540-AB1A5	L-38505-48E	IO-540-AB1A5	RL-26877-48E	IO-540-AE1A5	L-37997-48E
IO-540-AB1A5	L-38523-48E	IO-540-AB1A5	RL-26958-48E	IO-540-AE1A5	L-37998-48E
IO-540-AB1A5	L-38524-48E	IO-540-AB1A5	RL-27129-48E	IO-540-AE1A5	L-38001-48E
IO-540-AB1A5	L-38538-48E	IO-540-AB1A5	RL-27169-48E	IO-540-AE1A5	L-38002-48E
IO-540-AB1A5	L-38539-48E	IO-540-AB1A5	RL-27547-48E	IO-540-AE1A5	L-38004-48E
IO-540-AB1A5	L-38544-48E	IO-540-AB1A5	RL-2779-48E	IO-540-AE1A5	L-38005-48E
IO-540-AB1A5	L-38545-48E	IO-540-AB1A5	RL-27851-48E	IO-540-AE1A5	L-38006-48E
IO-540-AB1A5	L-38572-48E	IO-540-AB1A5	RL-28237-48E	IO-540-AE1A5	L-38009-48E
IO-540-AB1A5	L-38574-48E	IO-540-AB1A5	RL-28366-48E	IO-540-AE1A5	L-38010-48E
IO-540-AB1A5	L-38578-48E	IO-540-AB1A5	RL-29127-48E	IO-540-AE1A5	L-38019-48E
IO-540-AB1A5	L-38583-48E	IO-540-AB1A5	RL-32346-48E	IO-540-AE1A5	L-38020-48E
IO-540-AB1A5	L-38586-48E	IO-540-AB1A5	RL-32807-48E	IO-540-AE1A5	L-38021-48E

ISSUED			REVISED			PAGE NO.	REVISION	S.B. 659
MO	DAY	YEAR	MO	DAY	YEAR	31 of 41	--	
02	20	25	--	--	--			

Table 4 (Cont.)
Engine Models and Serial Numbers of Affected Engines in Section 4

Engine Model	Serial Number	Engine Model	Serial Number	Engine Model	Serial Number
IO-540-AE1A5	L-38027-48E	IO-540-AE1A5	L-38328-48E	IO-540-AE1A5	L-38490-48E
IO-540-AE1A5	L-38039-48E	IO-540-AE1A5	L-38329-48E	IO-540-AE1A5	L-38491-48E
IO-540-AE1A5	L-38040-48E	IO-540-AE1A5	L-38330-48E	IO-540-AE1A5	L-38492-48E
IO-540-AE1A5	L-38041-48E	IO-540-AE1A5	L-38331-48E	IO-540-AE1A5	L-38493-48E
IO-540-AE1A5	L-38044-48E	IO-540-AE1A5	L-38337-48E	IO-540-AE1A5	L-38494-48E
IO-540-AE1A5	L-38045-48E	IO-540-AE1A5	L-38338-48E	IO-540-AE1A5	L-38498-48E
IO-540-AE1A5	L-38046-48E	IO-540-AE1A5	L-38339-48E	IO-540-AE1A5	L-38499-48E
IO-540-AE1A5	L-38107-48E	IO-540-AE1A5	L-38343-48E	IO-540-AE1A5	L-38500-48E
IO-540-AE1A5	L-38108-48E	IO-540-AE1A5	L-38344-48E	IO-540-AE1A5	L-38502-48E
IO-540-AE1A5	L-38109-48E	IO-540-AE1A5	L-38349-48E	IO-540-AE1A5	L-38503-48E
IO-540-AE1A5	L-38110-48E	IO-540-AE1A5	L-38350-48E	IO-540-AE1A5	L-38504-48E
IO-540-AE1A5	L-38111-48E	IO-540-AE1A5	L-38351-48E	IO-540-AE1A5	L-38512-48E
IO-540-AE1A5	L-38112-48E	IO-540-AE1A5	L-38363-48E	IO-540-AE1A5	L-38513-48E
IO-540-AE1A5	L-38113-48E	IO-540-AE1A5	L-38364-48E	IO-540-AE1A5	L-38518-48E
IO-540-AE1A5	L-38123-48E	IO-540-AE1A5	L-38378-48E	IO-540-AE1A5	L-38519-48E
IO-540-AE1A5	L-38147-48E	IO-540-AE1A5	L-38382-48E	IO-540-AE1A5	L-38520-48E
IO-540-AE1A5	L-38148-48E	IO-540-AE1A5	L-38383-48E	IO-540-AE1A5	L-38525-48E
IO-540-AE1A5	L-38158-48E	IO-540-AE1A5	L-38384-48E	IO-540-AE1A5	L-38526-48E
IO-540-AE1A5	L-38159-48E	IO-540-AE1A5	L-38392-48E	IO-540-AE1A5	L-38527-48E
IO-540-AE1A5	L-38172-48E	IO-540-AE1A5	L-38393-48E	IO-540-AE1A5	L-38531-48E
IO-540-AE1A5	L-38173-48E	IO-540-AE1A5	L-38394-48E	IO-540-AE1A5	L-38532-48E
IO-540-AE1A5	L-38190-48E	IO-540-AE1A5	L-38404-48E	IO-540-AE1A5	L-38540-48E
IO-540-AE1A5	L-38191-48E	IO-540-AE1A5	L-38405-48E	IO-540-AE1A5	L-38541-48E
IO-540-AE1A5	L-38218-48E	IO-540-AE1A5	L-38406-48E	IO-540-AE1A5	L-38548-48E
IO-540-AE1A5	L-38219-48E	IO-540-AE1A5	L-38410-48E	IO-540-AE1A5	L-38549-48E
IO-540-AE1A5	L-38220-48E	IO-540-AE1A5	L-38411-48E	IO-540-AE1A5	L-38550-48E
IO-540-AE1A5	L-38221-48E	IO-540-AE1A5	L-38412-48E	IO-540-AE1A5	L-38551-48E
IO-540-AE1A5	L-38237-48E	IO-540-AE1A5	L-38413-48E	IO-540-AE1A5	L-38552-48E
IO-540-AE1A5	L-38238-48E	IO-540-AE1A5	L-38417-48E	IO-540-AE1A5	L-38565-48E
IO-540-AE1A5	L-38239-48E	IO-540-AE1A5	L-38420-48E	IO-540-AE1A5	L-38566-48E
IO-540-AE1A5	L-38240-48E	IO-540-AE1A5	L-38422-48E	IO-540-AE1A5	L-38567-48E
IO-540-AE1A5	L-38269-48E	IO-540-AE1A5	L-38423-48E	IO-540-AE1A5	L-38568-48E
IO-540-AE1A5	L-38270-48E	IO-540-AE1A5	L-38425-48E	IO-540-AE1A5	L-38570-48E
IO-540-AE1A5	L-38271-48E	IO-540-AE1A5	L-38426-48E	IO-540-AE1A5	L-38571-48E
IO-540-AE1A5	L-38272-48E	IO-540-AE1A5	L-38440-48E	IO-540-AE1A5	L-38573-48E
IO-540-AE1A5	L-38288-48E	IO-540-AE1A5	L-38442-48E	IO-540-AE1A5	L-38577-48E
IO-540-AE1A5	L-38289-48E	IO-540-AE1A5	L-38443-48E	IO-540-AE1A5	L-38579-48E
IO-540-AE1A5	L-38290-48E	IO-540-AE1A5	L-38444-48E	IO-540-AE1A5	L-38582-48E
IO-540-AE1A5	L-38291-48E	IO-540-AE1A5	L-38445-48E	IO-540-AE1A5	L-38584-48E
IO-540-AE1A5	L-38294-48E	IO-540-AE1A5	L-38446-48E	IO-540-AE1A5	L-38585-48E
IO-540-AE1A5	L-38295-48E	IO-540-AE1A5	L-38447-48E	IO-540-AE1A5	L-38587-48E
IO-540-AE1A5	L-38296-48E	IO-540-AE1A5	L-38448-48E	IO-540-AE1A5	L-38588-48E
IO-540-AE1A5	L-38297-48E	IO-540-AE1A5	L-38459-48E	IO-540-AE1A5	L-38592-48E
IO-540-AE1A5	L-38306-48E	IO-540-AE1A5	L-38460-48E	IO-540-AE1A5	L-38593-48E
IO-540-AE1A5	L-38308-48E	IO-540-AE1A5	L-38464-48E	IO-540-AE1A5	L-38595-48E
IO-540-AE1A5	L-38317-48E	IO-540-AE1A5	L-38470-48E	IO-540-AE1A5	L-38596-48E
IO-540-AE1A5	L-38318-48E	IO-540-AE1A5	L-38471-48E	IO-540-AE1A5	L-38600-48E
IO-540-AE1A5	L-38324-48E	IO-540-AE1A5	L-38472-48E	IO-540-AE1A5	L-38601-48E
IO-540-AE1A5	L-38327-48E	IO-540-AE1A5	L-38473-48E	IO-540-AE1A5	L-38605-48E

ISSUED			REVISED			PAGE NO.	REVISION	S.B. 659
MO	DAY	YEAR	MO	DAY	YEAR			
02	20	25	--	--	--	32 of 41	--	

Table 4 (Cont.)
Engine Models and Serial Numbers of Affected Engines in Section 4

Engine Model	Serial Number	Engine Model	Serial Number	Engine Model	Serial Number
IO-540-AE1A5	L-38606-48E	IO-540-AE1A5	RL-2323-48E	IO-540-D4A5	L-32304-48E
IO-540-AE1A5	L-38608-48E	IO-540-AE1A5	RL-23265-48E	IO-540-D4A5	L-38243-48E
IO-540-AE1A5	L-38609-48E	IO-540-AE1A5	RL-24100-48E	IO-540-D4A5	L-38247-48E
IO-540-AE1A5	L-38610-48E	IO-540-AE1A5	RL-24276-48E	IO-540-D4A5	L-38249-48E
IO-540-AE1A5	L-38614-48E	IO-540-AE1A5	RL-24458-48E	IO-540-D4A5	L-38282-48E
IO-540-AE1A5	L-38615-48E	IO-540-AE1A5	RL-24462-48E	IO-540-D4A5	L-38283-48E
IO-540-AE1A5	L-38622-48E	IO-540-AE1A5	RL-24735-48E	IO-540-D4A5	RL-13881-48E
IO-540-AE1A5	L-38623-48E	IO-540-AE1A5	RL-25500-48E	IO-540-D4A5	RL-27036-48E
IO-540-AE1A5	L-38624-48E	IO-540-AE1A5	RL-25577-48E	IO-540-D4B5	L-28582-48E
IO-540-AE1A5	L-38632-48E	IO-540-AE1A5	RL-26093-48E	IO-540-D4B5	L-29116-48E
IO-540-AE1A5	L-38641-48E	IO-540-AE1A5	RL-26137-48E	IO-540-D4B5	L-29545-48E
IO-540-AE1A5	L-38642-48E	IO-540-AE1A5	RL-26145-48E	IO-540-D4B5	L-29679-48E
IO-540-AE1A5	L-38643-48E	IO-540-AE1A5	RL-26319-48E	IO-540-D4B5	L-30938-48E
IO-540-AE1A5	L-38644-48E	IO-540-AE1A5	RL-26503-48E	IO-540-D4B5	L-37993-48E
IO-540-AE1A5	L-38645-48E	IO-540-AE1A5	RL-26514-48E	IO-540-D4B5	L-38096-48E
IO-540-AE1A5	L-38649-48E	IO-540-AE1A5	RL-26675-48E	IO-540-D4B5	L-38280-48E
IO-540-AE1A5	L-38650-48E	IO-540-AE1A5	RL-26749-48E	IO-540-D4B5	L-38309-48E
IO-540-AE1A5	L-38651-48E	IO-540-AE1A5	RL-26809-48E	IO-540-D4B5	RL-28859-48E
IO-540-AE1A5	L-38652-48E	IO-540-AE1A5	RL-26837-48E	IO-540-K1A5	L-15252-48E
IO-540-AE1A5	L-38654-48E	IO-540-AE1A5	RL-27260-48E	IO-540-K1A5	L-17408-48E
IO-540-AE1A5	L-38655-48E	IO-540-AE1A5	RL-27740-48E	IO-540-K1A5	L-25826-48E
IO-540-AE1A5	L-38656-48E	IO-540-AE1A5	RL-27985-48E	IO-540-K1A5	L-26625-48E
IO-540-AE1A5	L-38659-48E	IO-540-AE1A5	RL-28400-48E	IO-540-K1A5	L-29099-48E
IO-540-AE1A5	L-38660-48E	IO-540-AE1A5	RL-28508-48E	IO-540-K1A5	L-31273-48E
IO-540-AE1A5	L-38663-48E	IO-540-AE1A5	RL-29941-48E	IO-540-K1A5	RL-11825-48E
IO-540-AE1A5	L-38664-48E	IO-540-AE1A5	RL-33463-48E	IO-540-K1A5	RL-17721-48E
IO-540-AE1A5	L-38670-48E	IO-540-AE1A5	RL-36661-48E	IO-540-K1A5	RL-19515-48E
IO-540-AE1A5	L-38671-48E	IO-540-AF1A5	L-18862-48A	IO-540-K1A5	RL-23944-48E
IO-540-AE1A5	L-38674-48E	IO-540-AF1A5	L-37543-48E	IO-540-K1A5	RL-26251-48E
IO-540-AE1A5	L-38680-48E	IO-540-AF1A5	L-38008-48E	IO-540-K1A5	RL-26299-48E
IO-540-AE1A5	L-38681-48E	IO-540-AF1A5	L-38042-48E	IO-540-K1A5	RL-26343-48E
IO-540-AE1A5	RL-10114-48E	IO-540-AF1A5	L-38131-48E	IO-540-K1A5	RL-27148-48E
IO-540-AE1A5	RL-11612-48E	IO-540-AF1A5	L-38176-48E	IO-540-K1A5	RL-28420-48E
IO-540-AE1A5	RL-14714-48E	IO-540-AF1A5	L-38285-48E	IO-540-K1A5	RL-29515-48E
IO-540-AE1A5	RL-15549-48E	IO-540-AF1A5	L-38418-48E	IO-540-K1A5	RL-31695-48E
IO-540-AE1A5	RL-15830-48E	IO-540-AF1A5	L-38657-48E	IO-540-K1A5	RL-3242-48E
IO-540-AE1A5	RL-16384-48E	IO-540-AF1A5	RL-26586-48E	IO-540-K1B5	L-26026-48E
IO-540-AE1A5	RL-16924-48E	IO-540-C4B5	RL-21056-48E	IO-540-K1B5	L-26069-48E
IO-540-AE1A5	RL-17619-48E	IO-540-C4B5	RL-24762-48E	IO-540-K1B5	L-38075-48E
IO-540-AE1A5	RL-18173-48E	IO-540-C4B5	RL-30250-48E	IO-540-K1B5	L-38088-48E
IO-540-AE1A5	RL-18710-48E	IO-540-C4D5	L-38064-48E	IO-540-K1B5	RL-14218-48E
IO-540-AE1A5	RL-18850-48E	IO-540-C4D5	L-38066-48E	IO-540-K1B5	RL-19655-48E
IO-540-AE1A5	RL-19614-48E	IO-540-C4D5	L-38067-48E	IO-540-K1B5	RL-20525-48E
IO-540-AE1A5	RL-19650-48E	IO-540-C4D5	L-38310-48E	IO-540-K1B5	RL-22270-48E
IO-540-AE1A5	RL-20049-48E	IO-540-C4D5D	L-38178-48E	IO-540-K1B5	RL-25212-48E
IO-540-AE1A5	RL-20422-48E	IO-540-C4D5D	L-38179-48E	IO-540-K1B5	RL-25919-48E
IO-540-AE1A5	RL-20747-48E	IO-540-C4D5D	RL-11337-48E	IO-540-K1B5	RL-26116-48E
IO-540-AE1A5	RL-21449-48E	IO-540-C4D5D	RL-20898-48E	IO-540-K1B5	RL-26289-48E
IO-540-AE1A5	RL-22176-48E	IO-540-C4D5D	RL-28053-48E	IO-540-K1B5	RL-26309-48E

ISSUED			REVISED			PAGE NO.	REVISION	S.B. 659
MO	DAY	YEAR	MO	DAY	YEAR	33 of 41	--	
02	20	25	--	--	--			

**Table 4 (Cont.)
Engine Models and Serial Numbers of Affected Engines in Section 4**

Engine Model	Serial Number	Engine Model	Serial Number	Engine Model	Serial Number
IO-540-K1B5	RL-26717-48E	IO-540-K1J5	L-38013-48E	IO-540-K1J5	L-38292-48E
IO-540-K1B5	RL-27223-48E	IO-540-K1J5	L-38014-48E	IO-540-K1J5	L-38293-48E
IO-540-K1B5	RL-30654-48E	IO-540-K1J5	L-38043-48E	IO-540-K1J5	L-38298-48E
IO-540-K1B5	RL-32234-48E	IO-540-K1J5	L-38047-48E	IO-540-K1J5	L-38299-48E
IO-540-K1F5	RL-20556-48E	IO-540-K1J5	L-38068-48E	IO-540-K1J5	L-38307-48E
IO-540-K1G5	L-12691-48E	IO-540-K1J5	L-38069-48E	IO-540-K1J5	L-38311-48E
IO-540-K1G5	L-21115-48E	IO-540-K1J5	L-38070-48E	IO-540-K1J5	L-38312-48E
IO-540-K1G5	L-26330-48E	IO-540-K1J5	L-38076-48E	IO-540-K1J5	L-38316-48E
IO-540-K1G5	L-2646-48E	IO-540-K1J5	L-38077-48E	IO-540-K1J5	L-38320-48E
IO-540-K1G5	L-26613-48E	IO-540-K1J5	L-38091-48E	IO-540-K1J5	L-38321-48E
IO-540-K1G5	L-38073-48E	IO-540-K1J5	L-38092-48E	IO-540-K1J5	L-38322-48E
IO-540-K1G5	L-38074-48E	IO-540-K1J5	L-38093-48E	IO-540-K1J5	L-38323-48E
IO-540-K1G5	L-38117-48E	IO-540-K1J5	L-38094-48E	IO-540-K1J5	L-38332-48E
IO-540-K1G5	RL-11516-48E	IO-540-K1J5	L-38095-48E	IO-540-K1J5	L-38340-48E
IO-540-K1G5	RL-13449-48E	IO-540-K1J5	L-38114-48E	IO-540-K1J5	L-38341-48E
IO-540-K1G5	RL-17119-48E	IO-540-K1J5	L-38116-48E	IO-540-K1J5	L-38342-48E
IO-540-K1G5	RL-18381-48E	IO-540-K1J5	L-38126-48E	IO-540-K1J5	L-38345-48E
IO-540-K1G5	RL-18914-48E	IO-540-K1J5	L-38127-48E	IO-540-K1J5	L-38346-48E
IO-540-K1G5	RL-19469-48E	IO-540-K1J5	L-38128-48E	IO-540-K1J5	L-38353-48E
IO-540-K1G5	RL-20443-48E	IO-540-K1J5	L-38129-48E	IO-540-K1J5	L-38354-48E
IO-540-K1G5	RL-21307-48E	IO-540-K1J5	L-38130-48E	IO-540-K1J5	L-38355-48E
IO-540-K1G5	RL-24044-48E	IO-540-K1J5	L-38139-48E	IO-540-K1J5	L-38359-48E
IO-540-K1G5	RL-25017-48E	IO-540-K1J5	L-38140-48E	IO-540-K1J5	L-38360-48E
IO-540-K1G5	RL-2507-48E	IO-540-K1J5	L-38141-48E	IO-540-K1J5	L-38365-48E
IO-540-K1G5	RL-25266-48E	IO-540-K1J5	L-38146-48E	IO-540-K1J5	L-38376-48E
IO-540-K1G5	RL-25361-48E	IO-540-K1J5	L-38149-48E	IO-540-K1J5	L-38379-48E
IO-540-K1G5	RL-25445-48E	IO-540-K1J5	L-38150-48E	IO-540-K1J5	L-38385-48E
IO-540-K1G5	RL-25572-48E	IO-540-K1J5	L-38151-48E	IO-540-K1J5	L-38386-48E
IO-540-K1G5	RL-26501-48E	IO-540-K1J5	L-38152-48E	IO-540-K1J5	L-38387-48E
IO-540-K1G5	RL-26645-48E	IO-540-K1J5	L-38160-48E	IO-540-K1J5	L-38388-48E
IO-540-K1G5	RL-26682-48E	IO-540-K1J5	L-38161-48E	IO-540-K1J5	L-38389-48E
IO-540-K1G5	RL-26763-48E	IO-540-K1J5	L-38162-48E	IO-540-K1J5	L-38390-48E
IO-540-K1G5	RL-27708-48E	IO-540-K1J5	L-38163-48E	IO-540-K1J5	L-38391-48E
IO-540-K1G5	RL-28032-48E	IO-540-K1J5	L-38164-48E	IO-540-K1J5	L-38398-48E
IO-540-K1G5	RL-33112-48E	IO-540-K1J5	L-38165-48E	IO-540-K1J5	L-38407-48E
IO-540-K1G5	RL-6791-48E	IO-540-K1J5	L-38166-48E	IO-540-K1J5	L-38408-48E
IO-540-K1G5D	RL-17688-48E	IO-540-K1J5	L-38167-48E	IO-540-K1J5	L-38414-48E
IO-540-K1G5D	RL-24109-48E	IO-540-K1J5	L-38171-48E	IO-540-K1J5	L-38415-48E
IO-540-K1G5D	RL-25757-48E	IO-540-K1J5	L-38188-48E	IO-540-K1J5	L-38416-48E
IO-540-K1G5D	RL-26207-48E	IO-540-K1J5	L-38189-48E	IO-540-K1J5	L-38419-48E
IO-540-K1G5D	RL-27131-48E	IO-540-K1J5	L-38199-48E	IO-540-K1J5	L-38421-48E
IO-540-K1G5D	RL-9492-48E	IO-540-K1J5	L-38200-48E	IO-540-K1J5	L-38424-48E
IO-540-K1J5	L-30903-48E	IO-540-K1J5	L-38210-48E	IO-540-K1J5	L-38427-48E
IO-540-K1J5	L-37282-48E	IO-540-K1J5	L-38211-48E	IO-540-K1J5	L-38428-48E
IO-540-K1J5	L-37999-48E	IO-540-K1J5	L-38258-48E	IO-540-K1J5	L-38429-48E
IO-540-K1J5	L-38000-48E	IO-540-K1J5	L-38259-48E	IO-540-K1J5	L-38449-48E
IO-540-K1J5	L-38007-48E	IO-540-K1J5	L-38260-48E	IO-540-K1J5	L-38450-48E
IO-540-K1J5	L-38011-48E	IO-540-K1J5	L-38267-48E	IO-540-K1J5	L-38451-48E
IO-540-K1J5	L-38012-48E	IO-540-K1J5	L-38268-48E	IO-540-K1J5	L-38452-48E

ISSUED			REVISED			PAGE NO.	REVISION	S.B. 659
MO	DAY	YEAR	MO	DAY	YEAR			
02	20	25	--	--	--	34 of 41	--	

Table 4 (Cont.)
Engine Models and Serial Numbers of Affected Engines in Section 4

Engine Model	Serial Number	Engine Model	Serial Number	Engine Model	Serial Number
IO-540-K1J5	L-38453-48E	IO-540-K1J5	L-38591-48E	IO-540-V4A5	L-38026-48E
IO-540-K1J5	L-38454-48E	IO-540-K1J5	L-38594-48E	IO-540-V4A5	L-38048-48E
IO-540-K1J5	L-38455-48E	IO-540-K1J5	L-38597-48E	IO-540-V4A5	L-38071-48E
IO-540-K1J5	L-38456-48E	IO-540-K1J5	L-38598-48E	IO-540-V4A5	L-38072-48E
IO-540-K1J5	L-38474-48E	IO-540-K1J5	L-38599-48E	IO-540-V4A5	L-38132-48E
IO-540-K1J5	L-38475-48E	IO-540-K1J5	L-38603-48E	IO-540-V4A5	L-38153-48E
IO-540-K1J5	L-38476-48E	IO-540-K1J5	L-38612-48E	IO-540-V4A5	L-38154-48E
IO-540-K1J5	L-38481-48E	IO-540-K1J5	L-38613-48E	IO-540-V4A5	L-38155-48E
IO-540-K1J5	L-38482-48E	IO-540-K1J5	L-38616-48E	IO-540-V4A5	L-38156-48E
IO-540-K1J5	L-38483-48E	IO-540-K1J5	L-38617-48E	IO-540-V4A5	L-38157-48E
IO-540-K1J5	L-38484-48E	IO-540-K1J5	L-38618-48E	IO-540-V4A5	L-38168-48E
IO-540-K1J5	L-38485-48E	IO-540-K1J5	L-38619-48E	IO-540-V4A5	L-38169-48E
IO-540-K1J5	L-38495-48E	IO-540-K1J5	L-38620-48E	IO-540-V4A5	L-38170-48E
IO-540-K1J5	L-38496-48E	IO-540-K1J5	L-38621-48E	IO-540-V4A5	L-38182-48E
IO-540-K1J5	L-38508-48E	IO-540-K1J5	L-38625-48E	IO-540-V4A5	L-38183-48E
IO-540-K1J5	L-38509-48E	IO-540-K1J5	L-38628-48E	IO-540-V4A5	L-38184-48E
IO-540-K1J5	L-38510-48E	IO-540-K1J5	L-38629-48E	IO-540-V4A5	L-38187-48E
IO-540-K1J5	L-38511-48E	IO-540-K1J5	L-38630-48E	IO-540-V4A5	L-38205-48E
IO-540-K1J5	L-38514-48E	IO-540-K1J5	L-38634-48E	IO-540-V4A5	L-38212-48E
IO-540-K1J5	L-38515-48E	IO-540-K1J5	L-38637-48E	IO-540-V4A5	L-38213-48E
IO-540-K1J5	L-38516-48E	IO-540-K1J5	L-38638-48E	IO-540-V4A5	L-38214-48E
IO-540-K1J5	L-38517-48E	IO-540-K1J5	L-38648-48E	IO-540-V4A5	L-38215-48E
IO-540-K1J5	L-38521-48E	IO-540-K1J5	L-38658-48E	IO-540-V4A5	L-38216-48E
IO-540-K1J5	L-38522-48E	IO-540-K1J5	L-38661-48E	IO-540-V4A5	L-38217-48E
IO-540-K1J5	L-38528-48E	IO-540-K1J5	L-38665-48E	IO-540-V4A5	L-38253-48E
IO-540-K1J5	L-38529-48E	IO-540-K1J5	L-38666-48E	IO-540-V4A5	L-38254-48E
IO-540-K1J5	L-38530-48E	IO-540-K1J5	L-38672-48E	IO-540-V4A5	L-38255-48E
IO-540-K1J5	L-38535-48E	IO-540-K1J5	L-38677-48E	IO-540-V4A5	L-38256-48E
IO-540-K1J5	L-38536-48E	IO-540-K1J5	RL-26105-48E	IO-540-V4A5	L-38257-48E
IO-540-K1J5	L-38537-48E	IO-540-K1J5	RL-28348-48E	IO-540-V4A5	L-38266-48E
IO-540-K1J5	L-38546-48E	IO-540-L1B5D	L-38186-48E	IO-540-V4A5	L-38274-48E
IO-540-K1J5	L-38547-48E	IO-540-M1C5	RL-18804-48E	IO-540-V4A5	L-38366-48E
IO-540-K1J5	L-38555-48E	IO-540-M1C5	RL-21261-48E	IO-540-V4A5	L-38367-48E
IO-540-K1J5	L-38556-48E	IO-540-M1C5	RL-22904-48E	IO-540-V4A5	L-38368-48E
IO-540-K1J5	L-38557-48E	IO-540-M1C5	RL-22950-48E	IO-540-V4A5	L-38369-48E
IO-540-K1J5	L-38558-48E	IO-540-M1C5	RL-28263-48E	IO-540-V4A5	L-38381-48E
IO-540-K1J5	L-38559-48E	IO-540-T4B5	RL-21338-48E	IO-540-V4A5	L-38480-48E
IO-540-K1J5	L-38560-48E	IO-540-V4A5	L-33931-48E	IO-540-V4A5	L-38533-48E
IO-540-K1J5	L-38561-48E	IO-540-V4A5	L-33963-48E	IO-540-V4A5	L-38534-48E
IO-540-K1J5	L-38562-48E	IO-540-V4A5	L-33970-48E	IO-540-V4A5	RL-13278-48E
IO-540-K1J5	L-38563-48E	IO-540-V4A5	L-37985-48E	IO-540-V4A5	RL-27532-48E
IO-540-K1J5	L-38564-48E	IO-540-V4A5	L-37986-48E	IO-540-V4A5	RL-28925-48E
IO-540-K1J5	L-38569-48E	IO-540-V4A5	L-37987-48E	IO-540-V4A5	RL-32595-48E
IO-540-K1J5	L-38575-48E	IO-540-V4A5	L-37988-48E	IO-540-V4A5	RL-32608-48E
IO-540-K1J5	L-38576-48E	IO-540-V4A5	L-38003-48E	IO-540-V4A5	RL-32609-48E
IO-540-K1J5	L-38580-48E	IO-540-V4A5	L-38022-48E	IO-540-V4A5	RL-32613-48E
IO-540-K1J5	L-38581-48E	IO-540-V4A5	L-38023-48E	IO-540-W1A5	L-38203-48E
IO-540-K1J5	L-38589-48E	IO-540-V4A5	L-38024-48E	IO-540-W1A5	RL-11451-48E
IO-540-K1J5	L-38590-48E	IO-540-V4A5	L-38025-48E	IO-540-W1A5	RL-3739-48E

ISSUED			REVISED			PAGE NO.	REVISION	S.B. 659
MO	DAY	YEAR	MO	DAY	YEAR	35 of 41	--	
02	20	25	--	--	--			

Table 4 (Cont.)
Engine Models and Serial Numbers of Affected Engines in Section 4

Engine Model	Serial Number	Engine Model	Serial Number	Engine Model	Serial Number
TEO-540-C1A	L-135-84A	TEO-540-C1A	L-266-84A	TIO-540-AE2A	L-14755-61A
TEO-540-C1A	L-136-84A	TEO-540-C1A	L-267-84A	TIO-540-AE2A	L-14762-61A
TEO-540-C1A	L-157-84A	TEO-540-C1A	RL-145-84A	TIO-540-AE2A	L-14763-61A
TEO-540-C1A	L-158-84A	TEO-540-C1A	RL-146-84A	TIO-540-AE2A	L-14764-61A
TEO-540-C1A	L-163-84A	TEO-540-C1A	RL-151-84A	TIO-540-AE2A	L-14770-61A
TEO-540-C1A	L-164-84A	TEO-540-C1A	RL-159-84A	TIO-540-AE2A	L-14771-61A
TEO-540-C1A	L-167-84A	TEO-540-C1A	RL-160-84A	TIO-540-AE2A	L-14774-61A
TEO-540-C1A	L-168-84A	TEO-540-C1A	RL-161-84A	TIO-540-AE2A	L-14775-61A
TEO-540-C1A	L-170-84A	TEO-540-C1A	RL-179-84A	TIO-540-AE2A	L-14779-61A
TEO-540-C1A	L-171-84A	TEO-540-C1A	RL-180-84A	TIO-540-AE2A	L-14783-61A
TEO-540-C1A	L-173-84A	TEO-540-C1A	RL-185-84A	TIO-540-AE2A	L-14784-61A
TEO-540-C1A	L-174-84A	TEO-540-C1A	RL-239-84A	TIO-540-AE2A	L-14786-61A
TEO-540-C1A	L-176-84A	TEO-540-C1A	RL-255-84A	TIO-540-AE2A	L-14793-61A
TEO-540-C1A	L-177-84A	TEO-540-C1A	RL-256-84A	TIO-540-AE2A	L-14798-61A
TEO-540-C1A	L-178-84A	TEO-540-C1A	RL-257-84A	TIO-540-AE2A	L-14806-61A
TEO-540-C1A	L-183-84A	TEO-540-C1A	RL-258-84A	TIO-540-AE2A	L-14812-61A
TEO-540-C1A	L-184-84A	TEO-540-C1A	RL-259-84A	TIO-540-AE2A	L-14822-61A
TEO-540-C1A	L-186-84A	TIO-540-A2C	RL-10669-61A	TIO-540-AE2A	RL-10129-61A
TEO-540-C1A	L-188-84A	TIO-540-A2C	RL-3379-61A	TIO-540-AE2A	RL-10350-61A
TEO-540-C1A	L-189-84A	TIO-540-A2C	RL-4456-61A	TIO-540-AE2A	RL-10376-61A
TEO-540-C1A	L-192-84A	TIO-540-A2C	RL-9332-61A	TIO-540-AE2A	RL-10433-61A
TEO-540-C1A	L-198-84A	TIO-540-AE2A	L-10566-61A	TIO-540-AE2A	RL-10671-61A
TEO-540-C1A	L-201-84A	TIO-540-AE2A	L-14522-61A	TIO-540-AE2A	RL-10972-61A
TEO-540-C1A	L-203-84A	TIO-540-AE2A	L-14659-61A	TIO-540-AE2A	RL-12583-61A
TEO-540-C1A	L-208-84A	TIO-540-AE2A	L-14662-61A	TIO-540-AE2A	RL-2711-61A
TEO-540-C1A	L-233-84A	TIO-540-AE2A	L-14671-61A	TIO-540-AE2A	RL-3068-61A
TEO-540-C1A	L-234-84A	TIO-540-AE2A	L-14672-61A	TIO-540-AE2A	RL-322-61A
TEO-540-C1A	L-235-84A	TIO-540-AE2A	L-14679-61A	TIO-540-AE2A	RL-536-61A
TEO-540-C1A	L-236-84A	TIO-540-AE2A	L-14680-61A	TIO-540-AE2A	RL-659-61A
TEO-540-C1A	L-237-84A	TIO-540-AE2A	L-14685-61A	TIO-540-AE2A	RL-6793-61A
TEO-540-C1A	L-238-84A	TIO-540-AE2A	L-14688-61A	TIO-540-AE2A	RL-6895-61A
TEO-540-C1A	L-241-84A	TIO-540-AE2A	L-14692-61A	TIO-540-AE2A	RL-7365-61A
TEO-540-C1A	L-242-84A	TIO-540-AE2A	L-14695-61A	TIO-540-AE2A	RL-9320-61A
TEO-540-C1A	L-243-84A	TIO-540-AE2A	L-14696-61A	TIO-540-AE2A	RL-9392-61A
TEO-540-C1A	L-244-84A	TIO-540-AE2A	L-14701-61A	TIO-540-AF1B	L-12166-61A
TEO-540-C1A	L-245-84A	TIO-540-AE2A	L-14704-61A	TIO-540-AF1B	L-12345-61A
TEO-540-C1A	L-246-84A	TIO-540-AE2A	L-14705-61A	TIO-540-AF1B	RL-10419-61A
TEO-540-C1A	L-247-84A	TIO-540-AE2A	L-14712-61A	TIO-540-AF1B	RL-4030-61A
TEO-540-C1A	L-248-84A	TIO-540-AE2A	L-14713-61A	TIO-540-AH1A	L-11242-61A
TEO-540-C1A	L-249-84A	TIO-540-AE2A	L-14719-61A	TIO-540-AH1A	RL-10616-61A
TEO-540-C1A	L-250-84A	TIO-540-AE2A	L-14721-61A	TIO-540-AH1A	RL-11073-61A
TEO-540-C1A	L-251-84A	TIO-540-AE2A	L-14726-61A	TIO-540-AH1A	RL-11242-61A
TEO-540-C1A	L-252-84A	TIO-540-AE2A	L-14729-61A	TIO-540-AH1A	RL-11992-61A
TEO-540-C1A	L-253-84A	TIO-540-AE2A	L-14730-61A	TIO-540-AH1A	RL-12641-61A
TEO-540-C1A	L-254-84A	TIO-540-AE2A	L-14731-61A	TIO-540-AH1A	RL-3876-61A
TEO-540-C1A	L-262-84A	TIO-540-AE2A	L-14732-61A	TIO-540-AH1A	RL-5140-61A
TEO-540-C1A	L-263-84A	TIO-540-AE2A	L-14744-61A	TIO-540-AH1A	RL-5189-61A
TEO-540-C1A	L-264-84A	TIO-540-AE2A	L-14745-61A	TIO-540-AH1A	RL-5202-61A
TEO-540-C1A	L-265-84A	TIO-540-AE2A	L-14753-61A	TIO-540-AH1A	RL-5263-61A

ISSUED			REVISED			PAGE NO.	REVISION	S.B. 659
MO	DAY	YEAR	MO	DAY	YEAR			
02	20	25	--	--	--	36 of 41	--	

**Table 4 (Cont.)
Engine Models and Serial Numbers of Affected Engines in Section 4**

Engine Model	Serial Number	Engine Model	Serial Number	Engine Model	Serial Number
TIO-540-AH1A	RL-611-61A	TIO-540-AJ1A	L-14689-61E	TIO-540-AJ1A	L-14815-61E
TIO-540-AH1A	RL-6942-61A	TIO-540-AJ1A	L-14690-61E	TIO-540-AJ1A	L-14819-61E
TIO-540-AH1A	RL-9090-61A	TIO-540-AJ1A	L-14691-61E	TIO-540-AJ1A	L-14823-61E
TIO-540-AH1A	RL-9573-61A	TIO-540-AJ1A	L-14693-61E	TIO-540-AJ1A	L-14824-61E
TIO-540-AH1A	RL-9711-61A	TIO-540-AJ1A	L-14694-61E	TIO-540-AJ1A	L-14827-61E
TIO-540-AJ1A	L-11442-61E	TIO-540-AJ1A	L-14698-61E	TIO-540-AJ1A	L-14828-61E
TIO-540-AJ1A	L-12144-61E	TIO-540-AJ1A	L-14699-61E	TIO-540-AJ1A	L-14831-61E
TIO-540-AJ1A	L-12197-61E	TIO-540-AJ1A	L-14700-61E	TIO-540-AJ1A	L-14832-61E
TIO-540-AJ1A	L-13189-61E	TIO-540-AJ1A	L-14702-61E	TIO-540-AJ1A	L-14837-61E
TIO-540-AJ1A	L-13292-61E	TIO-540-AJ1A	L-14703-61E	TIO-540-AJ1A	L-6577-61E
TIO-540-AJ1A	L-13500-61E	TIO-540-AJ1A	L-14706-61E	TIO-540-AJ1A	RL-10392-61E
TIO-540-AJ1A	L-13523-61E	TIO-540-AJ1A	L-14707-61E	TIO-540-AJ1A	RL-10916-61E
TIO-540-AJ1A	L-13981-61E	TIO-540-AJ1A	L-14708-61E	TIO-540-AJ1A	RL-11134-61E
TIO-540-AJ1A	L-14151-61E	TIO-540-AJ1A	L-14709-61E	TIO-540-AJ1A	RL-11390-61E
TIO-540-AJ1A	L-14165-61E	TIO-540-AJ1A	L-14710-61E	TIO-540-AJ1A	RL-11407-61E
TIO-540-AJ1A	L-14166-61E	TIO-540-AJ1A	L-14711-61E	TIO-540-AJ1A	RL-11429-61E
TIO-540-AJ1A	L-14175-61E	TIO-540-AJ1A	L-14716-61E	TIO-540-AJ1A	RL-11906-61E
TIO-540-AJ1A	L-14176-61E	TIO-540-AJ1A	L-14717-61E	TIO-540-AJ1A	RL-11928-61E
TIO-540-AJ1A	L-14177-61E	TIO-540-AJ1A	L-14718-61E	TIO-540-AJ1A	RL-12011-61E
TIO-540-AJ1A	L-14180-61E	TIO-540-AJ1A	L-14720-61E	TIO-540-AJ1A	RL-12163-61E
TIO-540-AJ1A	L-14184-61E	TIO-540-AJ1A	L-14723-61E	TIO-540-AJ1A	RL-12209-61E
TIO-540-AJ1A	L-14189-61E	TIO-540-AJ1A	L-14724-61E	TIO-540-AJ1A	RL-12640-61E
TIO-540-AJ1A	L-14259-61E	TIO-540-AJ1A	L-14725-61E	TIO-540-AJ1A	RL-12873-61E
TIO-540-AJ1A	L-14350-61E	TIO-540-AJ1A	L-14727-61E	TIO-540-AJ1A	RL-12885-61E
TIO-540-AJ1A	L-14493-61E	TIO-540-AJ1A	L-14728-61E	TIO-540-AJ1A	RL-13328-61E
TIO-540-AJ1A	L-14605-61E	TIO-540-AJ1A	L-14738-61E	TIO-540-AJ1A	RL-13582-61E
TIO-540-AJ1A	L-14656-61E	TIO-540-AJ1A	L-14739-61E	TIO-540-AJ1A	RL-13660-61E
TIO-540-AJ1A	L-14660-61E	TIO-540-AJ1A	L-14746-61E	TIO-540-AJ1A	RL-13661-61E
TIO-540-AJ1A	L-14661-61E	TIO-540-AJ1A	L-14747-61E	TIO-540-AJ1A	RL-14711-61E
TIO-540-AJ1A	L-14663-61E	TIO-540-AJ1A	L-14748-61E	TIO-540-AJ1A	RL-1726-61E
TIO-540-AJ1A	L-14664-61E	TIO-540-AJ1A	L-14749-61E	TIO-540-AJ1A	RL-2551-61E
TIO-540-AJ1A	L-14665-61E	TIO-540-AJ1A	L-14750-61E	TIO-540-AJ1A	RL-3224-61E
TIO-540-AJ1A	L-14666-61E	TIO-540-AJ1A	L-14751-61E	TIO-540-AJ1A	RL-3470-61E
TIO-540-AJ1A	L-14667-61E	TIO-540-AJ1A	L-14754-61E	TIO-540-AJ1A	RL-5758-61E
TIO-540-AJ1A	L-14668-61E	TIO-540-AJ1A	L-14756-61E	TIO-540-AJ1A	RL-5990-61E
TIO-540-AJ1A	L-14669-61E	TIO-540-AJ1A	L-14761-61E	TIO-540-AJ1A	RL-6508-61E
TIO-540-AJ1A	L-14670-61E	TIO-540-AJ1A	L-14765-61E	TIO-540-AJ1A	RL-6778-61E
TIO-540-AJ1A	L-14673-61E	TIO-540-AJ1A	L-14766-61E	TIO-540-AJ1A	RL-6905-61E
TIO-540-AJ1A	L-14674-61E	TIO-540-AJ1A	L-14772-61E	TIO-540-AJ1A	RL-7153-61E
TIO-540-AJ1A	L-14675-61E	TIO-540-AJ1A	L-14776-61E	TIO-540-AJ1A	RL-7161-61E
TIO-540-AJ1A	L-14676-61E	TIO-540-AJ1A	L-14777-61E	TIO-540-AJ1A	RL-7189-61E
TIO-540-AJ1A	L-14677-61E	TIO-540-AJ1A	L-14778-61E	TIO-540-AJ1A	RL-8735-61E
TIO-540-AJ1A	L-14678-61E	TIO-540-AJ1A	L-14787-61E	TIO-540-AJ1A	RL-9521-61E
TIO-540-AJ1A	L-14681-61E	TIO-540-AJ1A	L-14788-61E	TIO-540-AK1A	L-10860-61A
TIO-540-AJ1A	L-14682-61E	TIO-540-AJ1A	L-14794-61E	TIO-540-AK1A	L-14658-61A
TIO-540-AJ1A	L-14683-61E	TIO-540-AJ1A	L-14802-61E	TIO-540-AK1A	L-14697-61A
TIO-540-AJ1A	L-14684-61E	TIO-540-AJ1A	L-14804-61E	TIO-540-AK1A	L-14714-61A
TIO-540-AJ1A	L-14686-61E	TIO-540-AJ1A	L-14805-61E	TIO-540-AK1A	L-14715-61A
TIO-540-AJ1A	L-14687-61E	TIO-540-AJ1A	L-14809-61E	TIO-540-AK1A	L-14722-61A

ISSUED			REVISED			PAGE NO.	REVISION	S.B. 659
MO	DAY	YEAR	MO	DAY	YEAR	37 of 41	--	
02	20	25	--	--	--			

Table 4 (Cont.)
Engine Models and Serial Numbers of Affected Engines in Section 4

Engine Model	Serial Number	Engine Model	Serial Number	Engine Model	Serial Number
TIO-540-AK1A	L-14733-61A	TIO-540-AK1A	RL-3102-61A	TIO-540-S1AD	RL-5548-61A
TIO-540-AK1A	L-14734-61A	TIO-540-AK1A	RL-4742-61A	TIO-540-S1AD	RL-5862-61A
TIO-540-AK1A	L-14735-61A	TIO-540-AK1A	RL-4804-61A	TIO-540-S1AD	RL-7266-61A
TIO-540-AK1A	L-14736-61A	TIO-540-AK1A	RL-6924-61A	TIO-540-U2A	RL-10168-61A
TIO-540-AK1A	L-14737-61A	TIO-540-AK1A	RL-9957-61A	TIO-540-U2A	RL-10863-61A
TIO-540-AK1A	L-14740-61A	TIO-540-J2B	L-11125-61A	AEIO-540-D4A5	L-38115-48E
TIO-540-AK1A	L-14741-61A	TIO-540-J2B	L-11281-61A	AEIO-540-D4A5	RL-26073-48E
TIO-540-AK1A	L-14742-61A	TIO-540-J2B	L-11817-61A	AEIO-540-D4B5	L-37995-48E
TIO-540-AK1A	L-14743-61A	TIO-540-J2B	L-12135-61A	AEIO-540-D4B5	L-37996-48E
TIO-540-AK1A	L-14757-61A	TIO-540-J2B	L-12379-61A	AEIO-540-L1B5	RL-26783-48E
TIO-540-AK1A	L-14758-61A	TIO-540-J2B	L-12988-61A	AEIO-540-L1B5	RL-28239-48E
TIO-540-AK1A	L-14759-61A	TIO-540-J2B	L-4235-61A	AEIO-540-L1B5	RL-36813-48E
TIO-540-AK1A	L-14760-61A	TIO-540-J2B	L-9535-61A	LTIO-540-J2B	L-1234-68A
TIO-540-AK1A	L-14767-61A	TIO-540-J2B	RL-10416-61A	LTIO-540-J2B	L-1410-68A
TIO-540-AK1A	L-14768-61A	TIO-540-J2B	RL-11190-61A	LTIO-540-J2B	L-1496-68A
TIO-540-AK1A	L-14773-61A	TIO-540-J2B	RL-11432-61A	LTIO-540-J2B	L-1636-68A
TIO-540-AK1A	L-14780-61A	TIO-540-J2B	RL-11557-61A	LTIO-540-J2B	L-2803-68A
TIO-540-AK1A	L-14781-61A	TIO-540-J2B	RL-12204-61A	LTIO-540-J2B	L-3021-68A
TIO-540-AK1A	L-14782-61A	TIO-540-J2B	RL-3776-61A	LTIO-540-J2B	RL-1050-68A
TIO-540-AK1A	L-14785-61A	TIO-540-J2B	RL-3816-61A	LTIO-540-J2B	RL-1064-68A
TIO-540-AK1A	L-14789-61A	TIO-540-J2B	RL-3962-61A	LTIO-540-J2B	RL-1913-68A
TIO-540-AK1A	L-14790-61A	TIO-540-J2B	RL-4183-61A	LTIO-540-J2B	RL-1929-68A
TIO-540-AK1A	L-14791-61A	TIO-540-J2B	RL-4398-61A	LTIO-540-J2B	RL-2098-68A
TIO-540-AK1A	L-14792-61A	TIO-540-J2B	RL-4919-61A	LTIO-540-J2B	RL-2667-68A
TIO-540-AK1A	L-14795-61A	TIO-540-J2B	RL-6684-61A	LTIO-540-J2B	RL-2918-68A
TIO-540-AK1A	L-14796-61A	TIO-540-J2B	RL-6922-61A	LTIO-540-J2B	RL-457-68A
TIO-540-AK1A	L-14797-61A	TIO-540-J2BD	L-10298-61A	LTIO-540-J2BD	L-1058-68A
TIO-540-AK1A	L-14799-61A	TIO-540-J2BD	L-11168-61A	LTIO-540-J2BD	L-1422-68A
TIO-540-AK1A	L-14800-61A	TIO-540-J2BD	L-11649-61A	LTIO-540-J2BD	L-1520-68A
TIO-540-AK1A	L-14801-61A	TIO-540-J2BD	L-11650-61A	LTIO-540-J2BD	L-1592-68A
TIO-540-AK1A	L-14803-61A	TIO-540-J2BD	L-12086-61A	LTIO-540-J2BD	L-1822-68A
TIO-540-AK1A	L-14807-61A	TIO-540-J2BD	L-12474-61A	LTIO-540-J2BD	L-235-68A
TIO-540-AK1A	L-14808-61A	TIO-540-J2BD	L-12532-61A	LTIO-540-J2BD	RL-1009-68A
TIO-540-AK1A	L-14810-61A	TIO-540-J2BD	RL-10077-61A	LTIO-540-J2BD	RL-1082-68A
TIO-540-AK1A	L-14811-61A	TIO-540-J2BD	RL-10373-61A	LTIO-540-J2BD	RL-1844-68A
TIO-540-AK1A	L-14813-61A	TIO-540-J2BD	RL-10415-61A	LTIO-540-J2BD	RL-1956-68A
TIO-540-AK1A	L-14814-61A	TIO-540-J2BD	RL-10582-61A	LTIO-540-J2BD	RL-2606-68A
TIO-540-AK1A	L-14816-61A	TIO-540-J2BD	RL-11894-61A	LTIO-540-J2BD	RL-2883-68A
TIO-540-AK1A	L-14817-61A	TIO-540-J2BD	RL-12086-61A	LTIO-540-J2BD	RL-475-68A
TIO-540-AK1A	L-14821-61A	TIO-540-J2BD	RL-14752-61A	IO-580-B1A	RL-119-79E
TIO-540-AK1A	L-14826-61A	TIO-540-J2BD	RL-2436-61A	IO-580-B1A	RL-331-79E
TIO-540-AK1A	L-14829-61A	TIO-540-J2BD	RL-2657-61A	IO-580-B1A	RL-379-79E
TIO-540-AK1A	L-14830-61A	TIO-540-J2BD	RL-5206-61A	AEIO-580-B1A	L-540-79E
TIO-540-AK1A	L-14835-61A	TIO-540-J2BD	RL-7596-61A	AEIO-580-B1A	L-541-79E
TIO-540-AK1A	RL-10025-61A	TIO-540-J2BD	RL-9377-61A	AEIO-580-B1A	L-573-79E
TIO-540-AK1A	RL-10763-61A	TIO-540-S1AD	RL-12577-61A	AEIO-580-B1A	L-669-79E
TIO-540-AK1A	RL-10911-61A	TIO-540-S1AD	RL-3918-61A	AEIO-580-B1A	L-688-79E
TIO-540-AK1A	RL-13132-61A	TIO-540-S1AD	RL-4962-61A	AEIO-580-B1A	L-689-79E
TIO-540-AK1A	RL-1627-61A	TIO-540-S1AD	RL-5236-61A	AEIO-580-B1A	L-690-79E

ISSUED			REVISED			PAGE NO.	REVISION	S.B. 659
MO	DAY	YEAR	MO	DAY	YEAR			
02	20	25	--	--	--	38 of 41	--	

**Table 4 (Cont.)
Engine Models and Serial Numbers of Affected Engines in Section 4**

Engine Model	Serial Number	Engine Model	Serial Number	Engine Model	Serial Number
AEIO-580-B1A	L-691-79E	AEIO-580-B1A	L-718-79E	AEIO-580-B1A	L-748-79E
AEIO-580-B1A	L-692-79E	AEIO-580-B1A	L-719-79E	AEIO-580-B1A	L-749-79E
AEIO-580-B1A	L-693-79E	AEIO-580-B1A	L-720-79E	AEIO-580-B1A	L-750-79E
AEIO-580-B1A	L-694-79E	AEIO-580-B1A	L-721-79E	AEIO-580-B1A	L-751-79E
AEIO-580-B1A	L-695-79E	AEIO-580-B1A	L-722-79E	AEIO-580-B1A	L-752-79E
AEIO-580-B1A	L-696-79E	AEIO-580-B1A	L-723-79E	AEIO-580-B1A	L-753-79E
AEIO-580-B1A	L-697-79E	AEIO-580-B1A	L-724-79E	AEIO-580-B1A	L-754-79E
AEIO-580-B1A	L-698-79E	AEIO-580-B1A	L-725-79E	AEIO-580-B1A	L-755-79E
AEIO-580-B1A	L-699-79E	AEIO-580-B1A	L-728-79E	AEIO-580-B1A	L-756-79E
AEIO-580-B1A	L-700-79E	AEIO-580-B1A	L-729-79E	AEIO-580-B1A	L-758-79E
AEIO-580-B1A	L-701-79E	AEIO-580-B1A	L-730-79E	AEIO-580-B1A	L-759-79E
AEIO-580-B1A	L-702-79E	AEIO-580-B1A	L-731-79E	AEIO-580-B1A	L-760-79E
AEIO-580-B1A	L-703-79E	AEIO-580-B1A	L-732-79E	AEIO-580-B1A	L-761-79E
AEIO-580-B1A	L-704-79E	AEIO-580-B1A	L-733-79E	AEIO-580-B1A	L-762-79E
AEIO-580-B1A	L-705-79E	AEIO-580-B1A	L-735-79E	AEIO-580-B1A	L-763-79E
AEIO-580-B1A	L-706-79E	AEIO-580-B1A	L-736-79E	AEIO-580-B1A	L-765-79E
AEIO-580-B1A	L-707-79E	AEIO-580-B1A	L-737-79E	AEIO-580-B1A	L-766-79E
AEIO-580-B1A	L-708-79E	AEIO-580-B1A	L-738-79E	AEIO-580-B1A	L-767-79E
AEIO-580-B1A	L-709-79E	AEIO-580-B1A	L-739-79E	AEIO-580-B1A	L-769-79E
AEIO-580-B1A	L-710-79E	AEIO-580-B1A	L-740-79E	AEIO-580-B1A	L-770-79E
AEIO-580-B1A	L-711-79E	AEIO-580-B1A	L-741-79E	AEIO-580-B1A	L-771-79E
AEIO-580-B1A	L-712-79E	AEIO-580-B1A	L-742-79E	AEIO-580-B1A	L-772-79E
AEIO-580-B1A	L-713-79E	AEIO-580-B1A	L-743-79E	AEIO-580-B1A	L-773-79E
AEIO-580-B1A	L-714-79E	AEIO-580-B1A	L-744-79E	AEIO-580-B1A	L-774-79E
AEIO-580-B1A	L-715-79E	AEIO-580-B1A	L-745-79E	AEIO-580-B1A	L-775-79E
AEIO-580-B1A	L-716-79E	AEIO-580-B1A	L-746-79E	AEIO-580-B1A	RL-734-79E
AEIO-580-B1A	L-717-79E	AEIO-580-B1A	L-747-79E		

ISSUED			REVISED			PAGE NO.	REVISION	S.B. 659
MO	DAY	YEAR	MO	DAY	YEAR	39 of 41	--	
02	20	25	--	--	--			

Section 5

Affected engine models in this section:

VO, IVO, and TIVO-540 Series engines

NOTICE: Although there were no VO, IVO, and TIVO-540 Series engines shipped from the Lycoming factory between April 4, 2022 and March 27, 2024 any of these engines assembled, repaired, or overhauled in the field using STD-33 plain washers purchased from Lycoming during the affected date range must complete the Required Action in this Service Bulletin.

Figure 5 indicates common locations of STD-33 plain washers for engines in this section. Refer to the Illustrated Parts Catalog for your engine model for specific locations of the STD-33 plain washers. Refer to the appropriate engine maintenance manual, overhaul manual, or applicable ICA for torque values used during assembly.

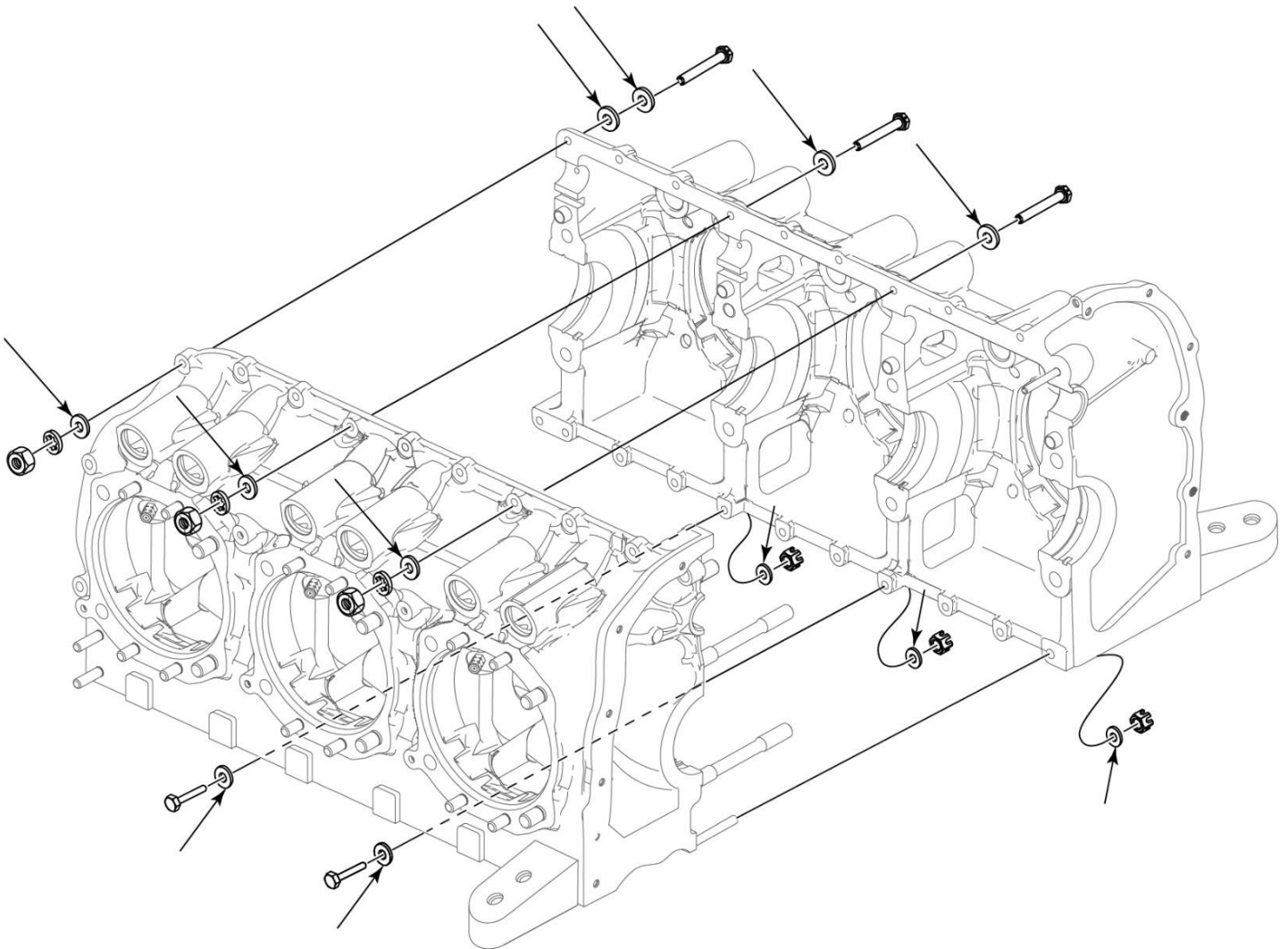


Figure 5
Locations of STD-33 Plain Washers on Engine Models in this Section

ISSUED			REVISED			PAGE NO.	REVISION	S.B. 659
MO	DAY	YEAR	MO	DAY	YEAR			
02	20	25	--	--	--	40 of 41	--	

Section 6

Affected engine models in this section:

IO-720 Series engines

NOTICE: Although there were no IO-720 Series engines shipped from the Lycoming factory between April 4, 2022 and March 27, 2024 any of these engines assembled, repaired, or overhauled in the field using STD-33 plain washers purchased from Lycoming during the affected date range must complete the Required Action in this Service Bulletin.

Figure 6 indicates common locations of STD-33 plain washers for engines in this section. Refer to the Illustrated Parts Catalog for your engine model for specific locations of the STD-33 plain washers. Refer to the appropriate engine maintenance manual, overhaul manual, or applicable ICA for torque values used during assembly.

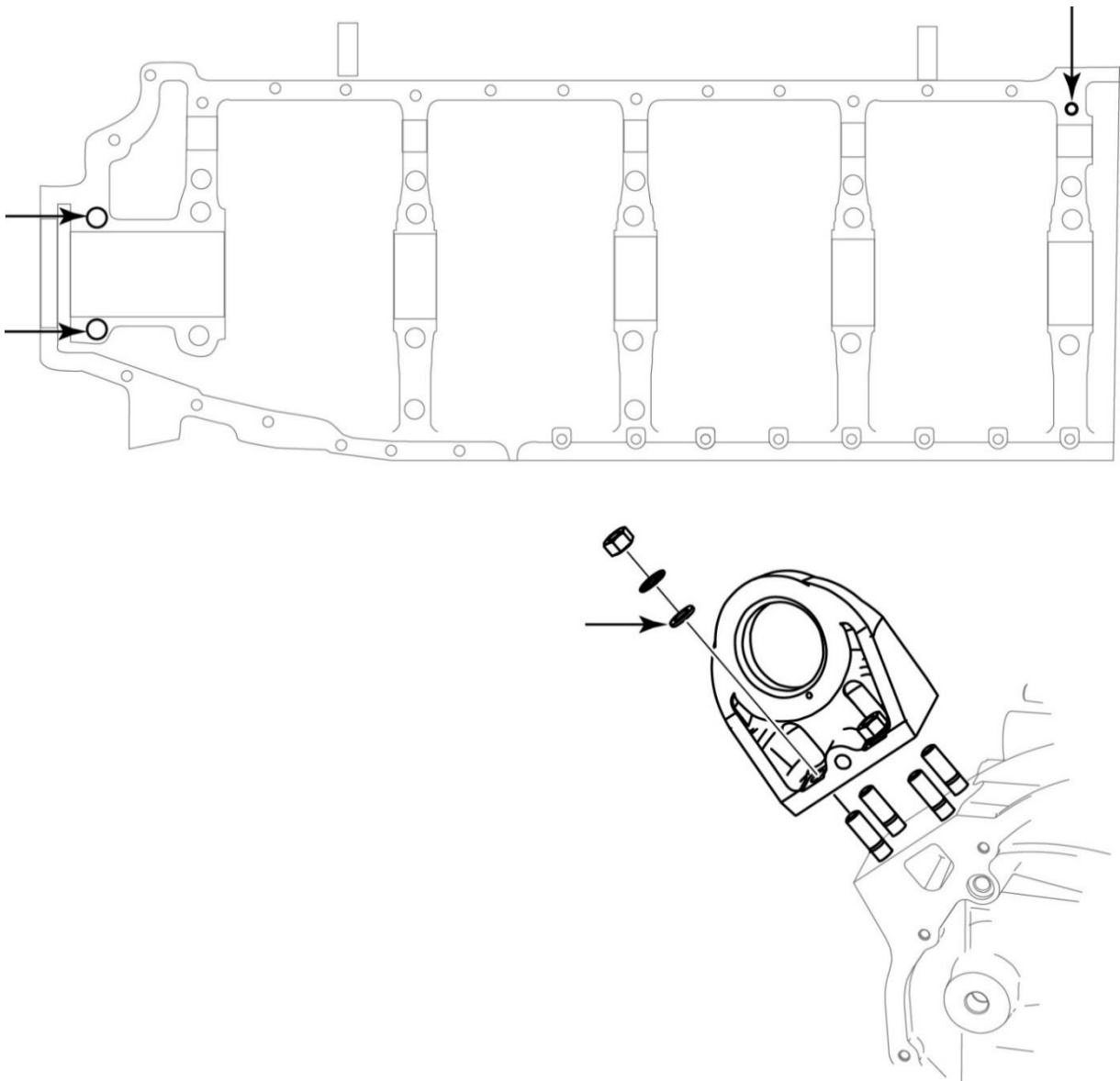


Figure 6
Locations of STD-33 Plain Washers on Engine Models in this Section

ISSUED			REVISED			PAGE NO.	REVISION	S.B. 659
MO	DAY	YEAR	MO	DAY	YEAR			
02	20	25	--	--	--	41 of 41	--	

Appendix 1

This appendix to Service Bulletin No. 659 identifies affected non-certified engines by model number and serial number shipped from the Lycoming factory between April 4, 2022 and March 27, 2024. The Required Action in S. B. 659 must be completed for each engine in this list. The Reference Section listed for each engine indicates the Section in S.B. 659 that should be referenced for locations of the STD-33 plain washers.

Non-Certified Engines Affected by S.B. 659

Engine Model	Serial Number	Reference Section	Engine Model	Serial Number	Reference Section
YO-320-D1A	EL-20927-39E	1	YO-360-EXP285	EL-44027-36E	1
YO-320-D1A	EL-20960-39E	1	YO-360-EXP285	EL-44064-36E	1
YO-320-D2G	EL-20623-39E	1	YO-360-EXP285	EL-44065-36E	1
YO-320-D2G	EL-20885-39E	1	YO-360-EXP285	EL-44132-36E	1
YO-320-D2G	EL-20886-39E	1	YO-360-EXP285	EL-44134-36E	1
YO-320-D2G	EL-20928-39E	1	YO-360-EXP285	EL-44144-36E	1
YO-320-D2G	EL-20958-39E	1	YIO-360-EXP287	EL-39252-51E	1
YO-320-D2G	EL-20974-39E	1	YIO-360-EXP287	EL-39282-51E	1
YO-320-EXP282	EL-6392-55E	1	YIO-360-EXP287	EL-39283-51E	1
YO-320-EXP284	EL-6379-55E	1	YIO-360-EXP287	EL-39695-51E	1
YO-320-EXP284	EL-6382-55E	1	YIO-360-EXP328	EL-39447-51E	1
YO-320-EXP349	EL-20907-39E	1	YIO-360-EXP328	EL-39495-51E	1
YIO-320-EXP283	EL-6381-55E	1	YIO-360-EXP328	EL-39513-51E	1
YIO-320-EXP283	EL-6384-55E	1	YIO-360-EXP328	EL-39902-51E	1
YIO-320-EXP283	EL-6386-55E	1	YIO-360-EXP330	EL-39497-51E	1
YIO-320-EXP283	EL-6389-55E	1	YIO-360-EXP330	EL-39512-51E	1
YIO-320-EXP283	EL-6390-55E	1	YIO-360-EXP330	EL-39582-51E	1
YIO-320-EXP283	EL-6391-55E	1	YIO-360-EXP330	EL-39604-51E	1
YIO-320-EXP283	EL-6393-55E	1	YIO-360-EXP330	EL-39742-51E	1
YIO-320-EXP354	EL-6378-55E	1	YIO-360-EXP330	EL-39816-51E	1
YIO-320-EXP385	EL-6375-55E	1	YIO-360-EXP330	EL-39848-51E	1
YIO-320-EXP385	EL-6376-55E	1	YIO-360-EXP330	EL-39941-51E	1
YIO-320-EXP385	EL-6380-55E	1	YIO-360-EXP330	EL-40008-51E	1
YIO-320-EXP385	EL-6385-55E	1	YIO-360-EXP332	EL-39682-51E	1
YIO-320-EXP385	EL-6387-55E	1	YIO-360-EXP332	EL-39814-51E	1
YIO-320-EXP385	EL-6388-55E	1	YIO-360-EXP334	EL-39681-51E	1
YIO-320-EXP385	EL-6394-55E	1	YIO-360-EXP334	EL-39984-51E	1
YIO-320-EXP385	EL-6395-55E	1	YIO-360-EXP358	EL-39242-51E	1
YO-360-A1A	EL-43972-36E	1	YIO-360-EXP365	EL-39863-51E	1
YO-360-A1A	EL-43973-36E	1	YIO-360-EXP365	EL-39891-51E	1
YO-360-A1A	EL-43978-36E	1	YIO-360-EXP366	EL-39586-51E	1
YO-360-A1A	EL-44013-36E	1	YIO-360-EXP367	EL-39449-51E	1
YO-360-A1A	EL-44063-36E	1	YIO-360-EXP370	EL-39308-51E	1
YO-360-A1A	EL-44069-36E	1	YIO-360-EXP370	EL-39508-51E	1
YO-360-A1A	EL-44073-36E	1	YIO-360-EXP387	EL-39179-51E	1
YO-360-A1A	EL-44074-36E	1	YIO-360-EXP387	EL-39235-51E	1
YO-360-A1A	EL-44084-36E	1	YIO-360-EXP387	EL-39527-51E	1
YO-360-A1A	EL-44099-36E	1	YIO-360-EXP388	EL-40026-51E	1
YO-360-EXP19	EL-44001-36E	1	YIO-360-EXP389	EL-39226-51E	1
YO-360-EXP285	EL-43981-36E	1	YIO-360-EXP389	EL-39236-51E	1
YO-360-EXP285	EL-44014-36E	1	YIO-360-EXP389	EL-39284-51E	1

Non-Certified Engines Affected by S.B. 659 (Cont.)

Engine Model	Serial Number	Reference Section	Engine Model	Serial Number	Reference Section
YIO-360-EXP389	EL-39509-51E	1	YIO-360-EXP390	EL-39847-51E	1
YIO-360-EXP389	EL-39520-51E	1	YIO-360-EXP390	EL-39889-51E	1
YIO-360-EXP389	EL-39631-51E	1	YIO-360-EXP390	EL-39890-51E	1
YIO-360-EXP389	EL-39633-51E	1	YIO-360-EXP390	EL-40108-51E	1
YIO-360-EXP389	EL-39679-51E	1	YIO-360-EXP391	EL-39212-51E	1
YIO-360-EXP389	EL-39691-51E	1	YIO-360-EXP391	EL-39475-51E	1
YIO-360-EXP389	EL-39729-51E	1	YIO-360-EXP391	EL-39481-51E	1
YIO-360-EXP389	EL-39739-51E	1	YIO-360-EXP391	EL-39607-51E	1
YIO-360-EXP389	EL-39799-51E	1	YIO-360-EXP391	EL-39753-51E	1
YIO-360-EXP389	EL-39815-51E	1	YIO-360-EXP395	EL-39862-51E	1
YIO-360-EXP389	EL-39894-51E	1	YIO-360-EXP53	EL-39532-51E	1
YIO-360-EXP390	EL-39181-51E	1	YIO-360-M1A	EL-39254-51E	1
YIO-360-EXP390	EL-39224-51E	1	YAEIO-360-EXP362	EL-2303-80E	1
YIO-360-EXP390	EL-39251-51E	1	CC363i(YIO-360-EXP128)	CC363i-2185	1
YIO-360-EXP390	EL-39256-51E	1	CC363i(YIO-360-EXP128)	CC363i-2188	1
YIO-360-EXP390	EL-39265-51E	1	CC363i(YIO-360-EXP128)	CC363i-2189	1
YIO-360-EXP390	EL-39266-51E	1	CC363i(YIO-360-EXP128)	CC363i-2190	1
YIO-360-EXP390	EL-39267-51E	1	CC363i(YIO-360-EXP128)	CC363i-2191	1
YIO-360-EXP390	EL-39287-51E	1	CC363i(YIO-360-EXP128)	CC363i-2192	1
YIO-360-EXP390	EL-39288-51E	1	CC363i(YIO-360-EXP128)	CC363i-2193	1
YIO-360-EXP390	EL-39289-51E	1	CC363i(YIO-360-EXP128)	CC363i-2194	1
YIO-360-EXP390	EL-39298-51E	1	CC363i(YIO-360-EXP128)	CC363i-2195	1
YIO-360-EXP390	EL-39309-51E	1	CC363i(YIO-360-EXP128)	CC363i-2196	1
YIO-360-EXP390	EL-39453-51E	1	CC363i(YIO-360-EXP128)	CC363i-2197	1
YIO-360-EXP390	EL-39464-51E	1	CC363i(YIO-360-EXP128)	CC363i-2198	1
YIO-360-EXP390	EL-39477-51E	1	CC363i(YIO-360-EXP128)	CC363i-2199	1
YIO-360-EXP390	EL-39482-51E	1	CC363i(YIO-360-EXP128)	CC363i-2200	1
YIO-360-EXP390	EL-39483-51E	1	CC363i(YIO-360-EXP128)	CC363i-2201	1
YIO-360-EXP390	EL-39498-51E	1	CC363i(YIO-360-EXP128)	CC363i-2218	1
YIO-360-EXP390	EL-39501-51E	1	CC363i(YIO-360-EXP128)	CC363i-2219	1
YIO-360-EXP390	EL-39628-51E	1	CC363i(YIO-360-EXP128)	CC363i-2220	1
YIO-360-EXP390	EL-39630-51E	1	CC363i(YIO-360-EXP128)	CC363i-2221	1
YIO-360-EXP390	EL-39632-51E	1	CC363i(YIO-360-EXP128)	CC363i-2222	1
YIO-360-EXP390	EL-39639-51E	1	CC363i(YIO-360-EXP128)	CC363i-2223	1
YIO-360-EXP390	EL-39641-51E	1	CC363i(YIO-360-EXP128)	CC363i-2224	1
YIO-360-EXP390	EL-39656-51E	1	CC363i(YIO-360-EXP128)	CC363i-2225	1
YIO-360-EXP390	EL-39658-51E	1	CC363i(YIO-360-EXP128)	CC363i-2228	1
YIO-360-EXP390	EL-39678-51E	1	CC363i(YIO-360-EXP128)	CC363i-2229	1
YIO-360-EXP390	EL-39683-51E	1	CC363i(YIO-360-EXP128)	CC363i-2230	1
YIO-360-EXP390	EL-39692-51E	1	CC363i(YIO-360-EXP128)	CC363i-2231	1
YIO-360-EXP390	EL-39693-51E	1	CC363i(YIO-360-EXP128)	CC363i-2232	1
YIO-360-EXP390	EL-39701-51E	1	CC363i(YIO-360-EXP128)	CC363i-2233	1
YIO-360-EXP390	EL-39770-51E	1	CC363i(YIO-360-EXP128)	CC363i-2234	1
YIO-360-EXP390	EL-39773-51E	1	CC363i(YIO-360-EXP128)	CC363i-2235	1
YIO-360-EXP390	EL-39802-51E	1	CC363i(YIO-360-EXP128)	CC363i-2236	1
YIO-360-EXP390	EL-39805-51E	1	CC363i(YIO-360-EXP128)	CC363i-2237	1
YIO-360-EXP390	EL-39841-51E	1	CC363i(YIO-360-EXP128)	CC363i-2240	1

Non-Certified Engines Affected by S.B. 659 (Cont.)

Engine Model	Serial Number	Reference Section	Engine Model	Serial Number	Reference Section
CC363i(YIO-360-EXP128)	CC363i-2241	1	CC363i(YIO-360-EXP128)	CC363i-2295	1
CC363i(YIO-360-EXP128)	CC363i-2246	1	CC363i(YIO-360-EXP128)	CC363i-2296	1
CC363i(YIO-360-EXP128)	CC363i-2247	1	CC363i(YIO-360-EXP128)	CC363i-2297	1
CC363i(YIO-360-EXP128)	CC363i-2248	1	CC363i(YIO-360-EXP128)	CC363i-2298	1
CC363i(YIO-360-EXP128)	CC363i-2249	1	CC363i(YIO-360-EXP372)	CC363i-2211	1
CC363i(YIO-360-EXP128)	CC363i-2250	1	CC363i(YIO-360-EXP372)	CC363i-2212	1
CC363i(YIO-360-EXP128)	CC363i-2251	1	CC363i-FP(YIO-360-EXP304)	CC363i-2202	1
CC363i(YIO-360-EXP128)	CC363i-2252	1	CC363i-FP(YIO-360-EXP304)	CC363i-2203	1
CC363i(YIO-360-EXP128)	CC363i-2253	1	CC363i-FP(YIO-360-EXP304)	CC363i-2204	1
CC363i(YIO-360-EXP128)	CC363i-2254	1	CC363i-FP(YIO-360-EXP304)	CC363i-2205	1
CC363i(YIO-360-EXP128)	CC363i-2255	1	CC363i-FP(YIO-360-EXP304)	CC363i-2206	1
CC363i(YIO-360-EXP128)	CC363i-2256	1	CC363i-FP(YIO-360-EXP304)	CC363i-2207	1
CC363i(YIO-360-EXP128)	CC363i-2257	1	CC363i-FP(YIO-360-EXP304)	CC363i-2208	1
CC363i(YIO-360-EXP128)	CC363i-2258	1	CC363i-FP(YIO-360-EXP304)	CC363i-2209	1
CC363i(YIO-360-EXP128)	CC363i-2259	1	CC363i-FP(YIO-360-EXP304)	CC363i-2210	1
CC363i(YIO-360-EXP128)	CC363i-2260	1	CC363i-FP(YIO-360-EXP304)	CC363i-2213	1
CC363i(YIO-360-EXP128)	CC363i-2261	1	CC363i-FP(YIO-360-EXP304)	CC363i-2214	1
CC363i(YIO-360-EXP128)	CC363i-2262	1	CC363i-FP(YIO-360-EXP304)	CC363i-2215	1
CC363i(YIO-360-EXP128)	CC363i-2263	1	CC363i-FP(YIO-360-EXP304)	CC363i-2216	1
CC363i(YIO-360-EXP128)	CC363i-2264	1	CC363i-FP(YIO-360-EXP304)	CC363i-2217	1
CC363i(YIO-360-EXP128)	CC363i-2265	1	CC363i-FP(YIO-360-EXP304)	CC363i-2226	1
CC363i(YIO-360-EXP128)	CC363i-2266	1	CC363i-FP(YIO-360-EXP304)	CC363i-2227	1
CC363i(YIO-360-EXP128)	CC363i-2267	1	CC363i-FP(YIO-360-EXP304)	CC363i-2238	1
CC363i(YIO-360-EXP128)	CC363i-2271	1	CC363i-FP(YIO-360-EXP304)	CC363i-2239	1
CC363i(YIO-360-EXP128)	CC363i-2272	1	CC363i-FP(YIO-360-EXP304)	CC363i-2242	1
CC363i(YIO-360-EXP128)	CC363i-2273	1	CC363i-FP(YIO-360-EXP304)	CC363i-2243	1
CC363i(YIO-360-EXP128)	CC363i-2274	1	CC363i-FP(YIO-360-EXP304)	CC363i-2244	1
CC363i(YIO-360-EXP128)	CC363i-2275	1	CC363i-FP(YIO-360-EXP304)	CC363i-2245	1
CC363i(YIO-360-EXP128)	CC363i-2276	1	CC363I-TB(YIO-360-EXP397)	CC363i-2268	1
CC363i(YIO-360-EXP128)	CC363i-2277	1	YIO-390-EXP119	EL-1914-80E	1
CC363i(YIO-360-EXP128)	CC363i-2278	1	YIO-390-EXP119	EL-1915-80E	1
CC363i(YIO-360-EXP128)	CC363i-2279	1	YIO-390-EXP119	EL-1925-80E	1
CC363i(YIO-360-EXP128)	CC363i-2280	1	YIO-390-EXP119	EL-1959-80E	1
CC363i(YIO-360-EXP128)	CC363i-2281	1	YIO-390-EXP119	EL-1969-80E	1
CC363i(YIO-360-EXP128)	CC363i-2282	1	YIO-390-EXP119	EL-2003-80E	1
CC363i(YIO-360-EXP128)	CC363i-2283	1	YIO-390-EXP119	EL-2017-80E	1
CC363i(YIO-360-EXP128)	CC363i-2284	1	YIO-390-EXP119	EL-2024-80E	1
CC363i(YIO-360-EXP128)	CC363i-2285	1	YIO-390-EXP119	EL-2066-80E	1
CC363i(YIO-360-EXP128)	CC363i-2286	1	YIO-390-EXP119	EL-2215-80E	1
CC363i(YIO-360-EXP128)	CC363i-2287	1	YIO-390-EXP131	EL-848-80E	1
CC363i(YIO-360-EXP128)	CC363i-2288	1	YIO-390-EXP137	EL-2008-80E	1
CC363i(YIO-360-EXP128)	CC363i-2289	1	YIO-390-EXP156	EL-2175-80E	1
CC363i(YIO-360-EXP128)	CC363i-2290	1	YIO-390-EXP204	EL-1917-80E	1
CC363i(YIO-360-EXP128)	CC363i-2291	1	YIO-390-EXP204	EL-1918-80E	1
CC363i(YIO-360-EXP128)	CC363i-2292	1	YIO-390-EXP204	EL-1938-80E	1
CC363i(YIO-360-EXP128)	CC363i-2293	1	YIO-390-EXP204	EL-2004-80E	1
CC363i(YIO-360-EXP128)	CC363i-2294	1	YIO-390-EXP204	EL-2061-80E	1

Non-Certified Engines Affected by S.B. 659 (Cont.)

Engine Model	Serial Number	Reference Section	Engine Model	Serial Number	Reference Section
YIO-390-EXP204	EL-2107-80E	1	YIO-390-EXP289	EL-2083-80E	1
YIO-390-EXP204	EL-2149-80E	1	YIO-390-EXP289	EL-2129-80E	1
YIO-390-EXP241	EL-1974-80E	1	YIO-390-EXP289	EL-2130-80E	1
YIO-390-EXP241	EL-1983-80E	1	YIO-390-EXP289	EL-2131-80E	1
YIO-390-EXP243	EL-1862-80E	1	YIO-390-EXP289	EL-2132-80E	1
YIO-390-EXP248	EL-1827-80E	1	YIO-390-EXP289	EL-2150-80E	1
YIO-390-EXP248	EL-1875-80E	1	YIO-390-EXP289	EL-2151-80E	1
YIO-390-EXP248	EL-1934-80E	1	YIO-390-EXP289	EL-2153-80E	1
YIO-390-EXP248	EL-1941-80E	1	YIO-390-EXP289	EL-2179-80E	1
YIO-390-EXP248	EL-1977-80E	1	YIO-390-EXP289	EL-2181-80E	1
YIO-390-EXP248	EL-2119-80E	1	YIO-390-EXP289	EL-2202-80E	1
YIO-390-EXP248	EL-2286-80E	1	YIO-390-EXP289	EL-2211-80E	1
YIO-390-EXP248	EL-2299-80E	1	YIO-390-EXP289	EL-2212-80E	1
YIO-390-EXP253	EL-2021-80E	1	YIO-390-EXP289	EL-2213-80E	1
YIO-390-EXP260	EL-1993-80E	1	YIO-390-EXP289	EL-2222-80E	1
YIO-390-EXP260	EL-2193-80E	1	YIO-390-EXP289	EL-2229-80E	1
YIO-390-EXP277	EL-1878-80E	1	YIO-390-EXP289	EL-2231-80E	1
YIO-390-EXP279	EL-1868-80E	1	YIO-390-EXP289	EL-2232-80E	1
YIO-390-EXP288	EL-1857-80E	1	YIO-390-EXP289	EL-2246-80E	1
YIO-390-EXP288	EL-2018-80E	1	YIO-390-EXP289	EL-2256-80E	1
YIO-390-EXP288	EL-2023-80E	1	YIO-390-EXP289	EL-2265-80E	1
YIO-390-EXP288	EL-2128-80E	1	YIO-390-EXP292	EL-1804-80E	1
YIO-390-EXP288	EL-2147-80E	1	YIO-390-EXP292	EL-1824-80E	1
YIO-390-EXP288	EL-2230-80E	1	YIO-390-EXP292	EL-1869-80E	1
YIO-390-EXP289	EL-1823-80E	1	YIO-390-EXP292	EL-1893-80E	1
YIO-390-EXP289	EL-1858-80E	1	YIO-390-EXP292	EL-1921-80E	1
YIO-390-EXP289	EL-1895-80E	1	YIO-390-EXP292	EL-1939-80E	1
YIO-390-EXP289	EL-1896-80E	1	YIO-390-EXP292	EL-1961-80E	1
YIO-390-EXP289	EL-1916-80E	1	YIO-390-EXP292	EL-1992-80E	1
YIO-390-EXP289	EL-1919-80E	1	YIO-390-EXP292	EL-2006-80E	1
YIO-390-EXP289	EL-1923-80E	1	YIO-390-EXP292	EL-2043-80E	1
YIO-390-EXP289	EL-1924-80E	1	YIO-390-EXP292	EL-2236-80E	1
YIO-390-EXP289	EL-1926-80E	1	YIO-390-EXP295	EL-1859-80E	1
YIO-390-EXP289	EL-1927-80E	1	YIO-390-EXP295	EL-1861-80E	1
YIO-390-EXP289	EL-1928-80E	1	YIO-390-EXP301	EL-1825-80E	1
YIO-390-EXP289	EL-1929-80E	1	YIO-390-EXP310	EL-1830-80E	1
YIO-390-EXP289	EL-1935-80E	1	YIO-390-EXP310	EL-1831-80E	1
YIO-390-EXP289	EL-1936-80E	1	YIO-390-EXP310	EL-2011-80E	1
YIO-390-EXP289	EL-1937-80E	1	YIO-390-EXP310	EL-2045-80E	1
YIO-390-EXP289	EL-1975-80E	1	YIO-390-EXP310	EL-2046-80E	1
YIO-390-EXP289	EL-1976-80E	1	YIO-390-EXP317	EL-1944-80E	1
YIO-390-EXP289	EL-1999-80E	1	YIO-390-EXP317	EL-2249-80E	1
YIO-390-EXP289	EL-2001-80E	1	YIO-390-EXP333	EL-909-80E	1
YIO-390-EXP289	EL-2025-80E	1	YIO-390-EXP336	EL-2013-80E	1
YIO-390-EXP289	EL-2067-80E	1	YIO-390-EXP336	EL-2086-80E	1
YIO-390-EXP289	EL-2068-80E	1	YIO-390-EXP336	EL-2146-80E	1
YIO-390-EXP289	EL-2082-80E	1	YIO-390-EXP336	EL-2177-80E	1

Non-Certified Engines Affected by S.B. 659 (Cont.)

Engine Model	Serial Number	Reference Section	Engine Model	Serial Number	Reference Section
YIO-390-EXP336	EL-2178-80E	1	YIO-390-EXP340	EL-2261-80E	1
YIO-390-EXP338	EL-2010-80E	1	YIO-390-EXP340	EL-2285-80E	1
YIO-390-EXP339	EL-2204-80E	1	YIO-390-EXP340	EL-2298-80E	1
YIO-390-EXP339	EL-2223-80E	1	YIO-390-EXP340	EL-2307-80E	1
YIO-390-EXP340	EL-1805-80E	1	YIO-390-EXP343	EL-1837-80E	1
YIO-390-EXP340	EL-1822-80E	1	YIO-390-EXP344	EL-2022-80E	1
YIO-390-EXP340	EL-1876-80E	1	YIO-390-EXP344	EL-2069-80E	1
YIO-390-EXP340	EL-1877-80E	1	YIO-390-EXP344	EL-2106-80E	1
YIO-390-EXP340	EL-1932-80E	1	YIO-390-EXP344	EL-2116-80E	1
YIO-390-EXP340	EL-1942-80E	1	YIO-390-EXP344	EL-2133-80E	1
YIO-390-EXP340	EL-1945-80E	1	YIO-390-EXP344	EL-2199-80E	1
YIO-390-EXP340	EL-1946-80E	1	YIO-390-EXP345	EL-2163-80E	1
YIO-390-EXP340	EL-1962-80E	1	YIO-390-EXP346	EL-1922-80E	1
YIO-390-EXP340	EL-1964-80E	1	YIO-390-EXP360	EL-1815-80E	1
YIO-390-EXP340	EL-1972-80E	1	YIO-390-EXP360	EL-1913-80E	1
YIO-390-EXP340	EL-1973-80E	1	YIO-390-EXP360	EL-2007-80E	1
YIO-390-EXP340	EL-1978-80E	1	YIO-390-EXP360	EL-2019-80E	1
YIO-390-EXP340	EL-1979-80E	1	YIO-390-EXP392	EL-1844-80E	1
YIO-390-EXP340	EL-1981-80E	1	YIO-390-EXP392	EL-2218-80E	1
YIO-390-EXP340	EL-1984-80E	1	YIO-390-EXP392	EL-2219-80E	1
YIO-390-EXP340	EL-1986-80E	1	YIO-390-EXP403	EL-2337-80E	1
YIO-390-EXP340	EL-1987-80E	1	YIO-390-EXP403	EL-2338-80E	1
YIO-390-EXP340	EL-1988-80E	1	YAEIO-390-EXP352	EL-1931-80E	1
YIO-390-EXP340	EL-1998-80E	1	YAEIO-390-EXP364	EL-2052-80E	1
YIO-390-EXP340	EL-2014-80E	1	YAEIO-390-EXP400	EL-2314-80E	1
YIO-390-EXP340	EL-2031-80E	1	YAEIO-390-EXP400	EL-2362-80E	1
YIO-390-EXP340	EL-2032-80E	1	YAEIO-390-EXP400	EL-2363-80E	1
YIO-390-EXP340	EL-2039-80E	1	YAEIO-390-EXP400	EL-2364-80E	1
YIO-390-EXP340	EL-2041-80E	1	YAEIO-390-EXP400	EL-2365-80E	1
YIO-390-EXP340	EL-2042-80E	1	YIO-540-D4A5	EL-38058-48E	4
YIO-390-EXP340	EL-2053-80E	1	YIO-540-D4E5	EL-38262-48E	4
YIO-390-EXP340	EL-2071-80E	1	YIO-540-D4E5	EL-38265-48E	4
YIO-390-EXP340	EL-2072-80E	1	YIO-540-D4E5	EL-38347-48E	4
YIO-390-EXP340	EL-2076-80E	1	YIO-540-D4E5	EL-38348-48E	4
YIO-390-EXP340	EL-2084-80E	1	YIO-540-D4E5	EL-38356-48E	4
YIO-390-EXP340	EL-2085-80E	1	YIO-540-D4E5	EL-38357-48E	4
YIO-390-EXP340	EL-2087-80E	1	YIO-540-D4E5	EL-38397-48E	4
YIO-390-EXP340	EL-2115-80E	1	YIO-540-D4E5	EL-38430-48E	4
YIO-390-EXP340	EL-2121-80E	1	YIO-540-D4E5	EL-38431-48E	4
YIO-390-EXP340	EL-2122-80E	1	YIO-540-D4E5	EL-38466-48E	4
YIO-390-EXP340	EL-2145-80E	1	YIO-540-D4E5	EL-38467-48E	4
YIO-390-EXP340	EL-2152-80E	1	YIO-540-D4E5	EL-38542-48E	4
YIO-390-EXP340	EL-2164-80E	1	YIO-540-D4E5	EL-38543-48E	4
YIO-390-EXP340	EL-2174-80E	1	YIO-540-D4E5	EL-38553-48E	4
YIO-390-EXP340	EL-2176-80E	1	YIO-540-D4E5	EL-38554-48E	4
YIO-390-EXP340	EL-2205-80E	1	YIO-540-EXP126	EL-38103-48E	4
YIO-390-EXP340	EL-2217-80E	1	YIO-540-EXP126	EL-38135-48E	4

Non-Certified Engines Affected by S.B. 659 (Cont.)

Engine Model	Serial Number	Reference Section	Engine Model	Serial Number	Reference Section
YIO-540-EXP143	EL-38032-48E	4	YIO-540-EXP393	EL-38194-48E	4
YIO-540-EXP143	EL-38374-48E	4	YIO-540-EXP393	EL-38195-48E	4
YIO-540-EXP143	EL-38441-48E	4	YIO-540-EXP393	EL-38196-48E	4
YIO-540-EXP171	EL-38229-48E	4	YIO-540-EXP393	EL-38198-48E	4
YIO-540-EXP189	EL-38087-48E	4	YIO-540-EXP393	EL-38222-48E	4
YIO-540-EXP197	EL-38049-48E	4	YIO-540-EXP393	EL-38231-48E	4
YIO-540-EXP211	EL-38029-48E	4	YIO-540-EXP393	EL-38244-48E	4
YIO-540-EXP264	EL-37984-48E	4	YIO-540-EXP393	EL-38245-48E	4
YIO-540-EXP264	EL-38181-48E	4	YIO-540-EXP393	EL-38246-48E	4
YIO-540-EXP264	EL-38224-48E	4	YIO-540-EXP393	EL-38248-48E	4
YIO-540-EXP264	EL-38333-48E	4	YIO-540-EXP393	EL-38250-48E	4
YIO-540-EXP265	EL-38030-48E	4	YIO-540-EXP393	EL-38251-48E	4
YIO-540-EXP298	EL-38033-48E	4	YIO-540-EXP393	EL-38252-48E	4
YIO-540-EXP298	EL-38125-48E	4	YIO-540-EXP393	EL-38275-48E	4
YIO-540-EXP299	EL-38209-48E	4	YIO-540-EXP393	EL-38276-48E	4
YIO-540-EXP309	EL-38083-48E	4	YIO-540-EXP393	EL-38286-48E	4
YIO-540-EXP309	EL-38136-48E	4	YIO-540-EXP393	EL-38302-48E	4
YIO-540-EXP309	EL-38281-48E	4	YIO-540-EXP393	EL-38303-48E	4
YIO-540-EXP309	EL-38479-48E	4	YIO-540-EXP393	EL-38313-48E	4
YIO-540-EXP318	EL-38507-48E	4	YIO-540-EXP393	EL-38314-48E	4
YIO-540-EXP341	EL-38138-48E	4	YIO-540-EXP393	EL-38358-48E	4
YIO-540-EXP341	EL-38403-48E	4	YIO-540-EXP393	EL-38361-48E	4
YIO-540-EXP342	EL-38101-48E	4	YIO-540-EXP393	EL-38362-48E	4
YIO-540-EXP342	EL-38124-48E	4	YIO-540-EXP393	EL-38395-48E	4
YIO-540-EXP342	EL-38263-48E	4	YIO-540-EXP393	EL-38399-48E	4
YIO-540-EXP348	EL-38031-48E	4	YIO-540-EXP393	EL-38400-48E	4
YIO-540-EXP348	EL-38050-48E	4	YIO-540-EXP393	EL-38401-48E	4
YIO-540-EXP348	EL-38081-48E	4	YIO-540-EXP393	EL-38435-48E	4
YIO-540-EXP348	EL-38439-48E	4	YIO-540-EXP393	EL-38465-48E	4
YIO-540-EXP357	EL-38051-48E	4	YIO-540-EXP393	EL-38477-48E	4
YIO-540-EXP357	EL-38279-48E	4	YIO-540-EXP393	EL-38486-48E	4
YIO-540-EXP359	EL-38084-48E	4	YIO-540-EXP394	EL-37971-48E	4
YIO-540-EXP361	EL-38375-48E	4	YIO-540-EXP394	EL-38054-48E	4
YIO-540-EXP374	EL-38278-48E	4	YIO-540-EXP394	EL-38055-48E	4
YIO-540-EXP374	EL-38433-48E	4	YIO-540-EXP394	EL-38197-48E	4
YIO-540-EXP374	EL-38434-48E	4	YIO-540-EXP394	EL-38230-48E	4
YIO-540-EXP374	EL-38463-48E	4	YIO-540-EXP394	EL-38232-48E	4
YIO-540-EXP374	EL-38487-48E	4	YIO-540-EXP394	EL-38233-48E	4
YIO-540-EXP374	EL-38488-48E	4	YIO-540-EXP394	EL-38234-48E	4
YIO-540-EXP375	EL-38371-48E	4	YIO-540-EXP394	EL-38236-48E	4
YIO-540-EXP393	EL-38052-48E	4	YIO-540-EXP394	EL-38242-48E	4
YIO-540-EXP393	EL-38053-48E	4	YIO-540-EXP394	EL-38273-48E	4
YIO-540-EXP393	EL-38056-48E	4	YIO-540-EXP394	EL-38277-48E	4
YIO-540-EXP393	EL-38065-48E	4	YIO-540-EXP394	EL-38319-48E	4
YIO-540-EXP393	EL-38089-48E	4	YIO-540-EXP394	EL-38396-48E	4
YIO-540-EXP393	EL-38090-48E	4	YIO-540-EXP394	EL-38409-48E	4
YIO-540-EXP393	EL-38100-48E	4	YIO-540-EXP394	EL-38432-48E	4

Non-Certified Engines Affected by S.B. 659 (Cont.)

Engine Model	Serial Number	Reference Section	Engine Model	Serial Number	Reference Section
YIO-540-EXP394	EL-38436-48E	4	YTIO-540-EXP405	ERL-10754-61A	4
YIO-540-EXP394	EL-38438-48E	4	YAEIO-540-EXP96	EL-38079-48E	4
YIO-540-EXP394	EL-38457-48E	4	AEIO-580-EXP	EL-768-79E	4
YIO-540-EXP394	EL-38489-48E	4	YAEIO-580-EXP368	EL-757-79E	4
YIO-540-L1C5	EL-38204-48E	4	YAEIO-580-EXP371	EL-727-79E	4
YHIO-540-EXP373	EL-38202-48E	4			